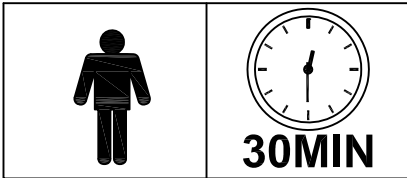
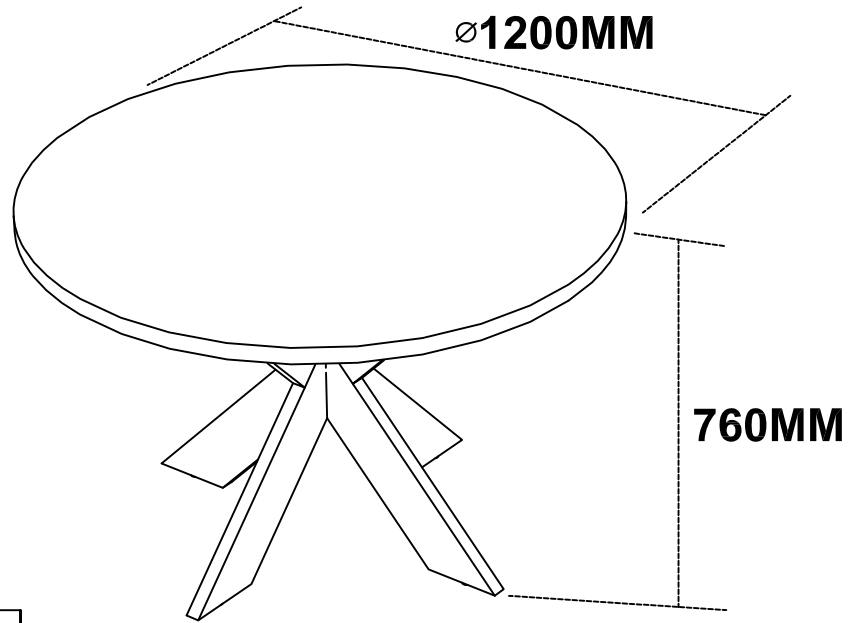
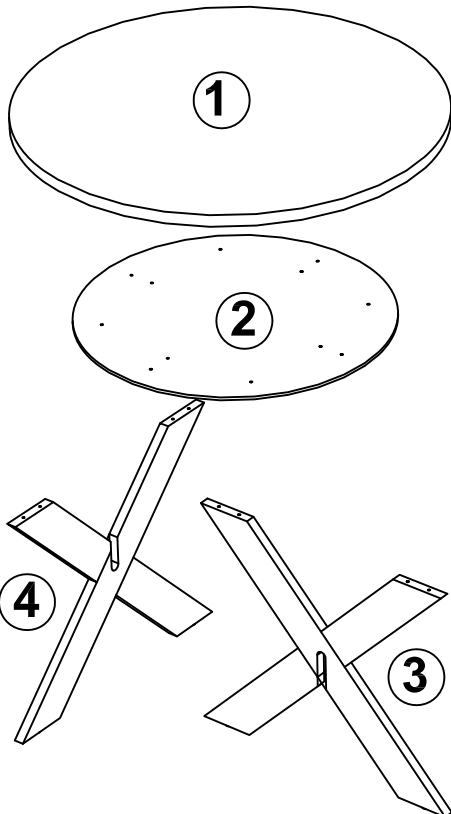

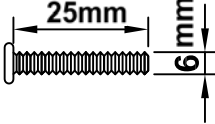


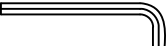


Assembly Instruction

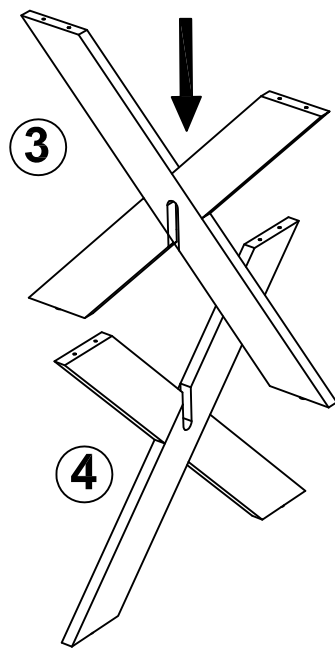


1

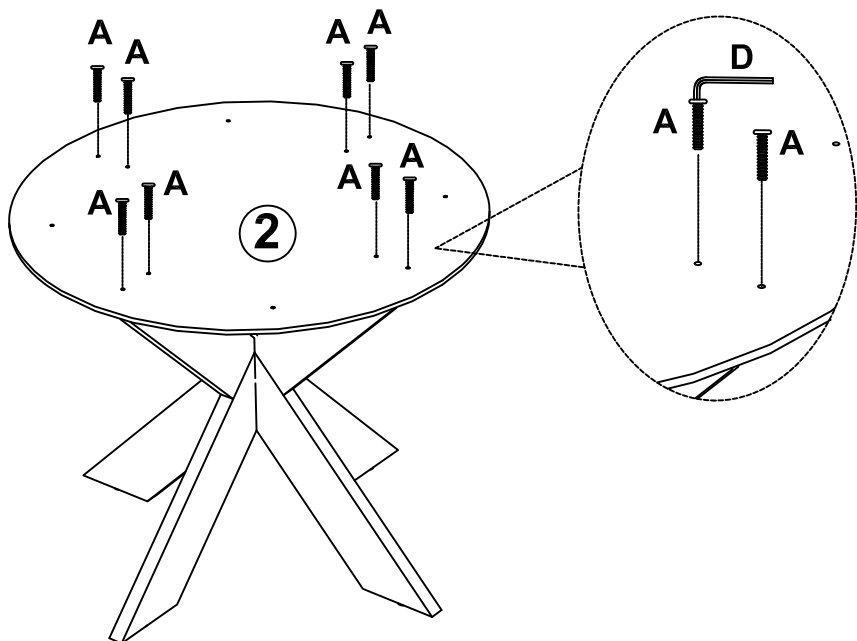
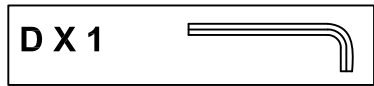


- A X 12**  
- B X 4** 
- C X 4** 
- D X 1** 

2



3




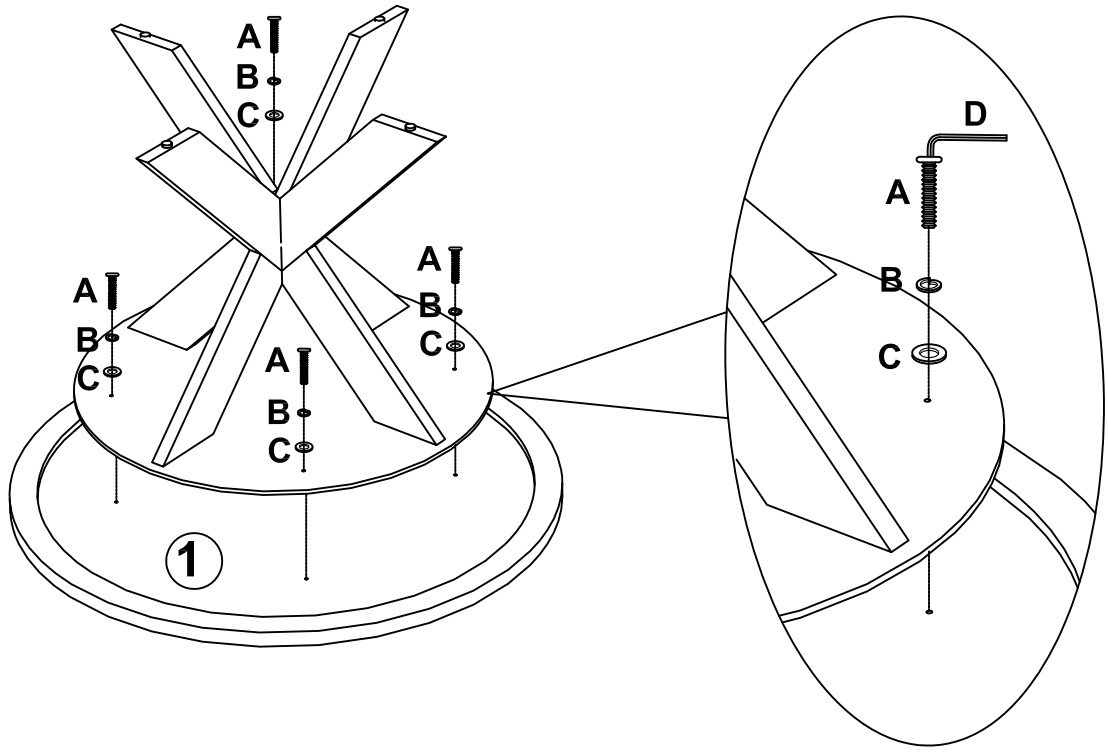
4

AX4  

BX4 

CX4 

DX1 



5

