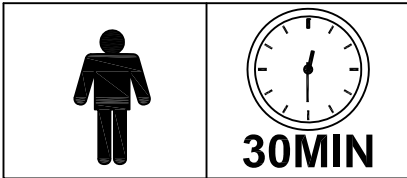
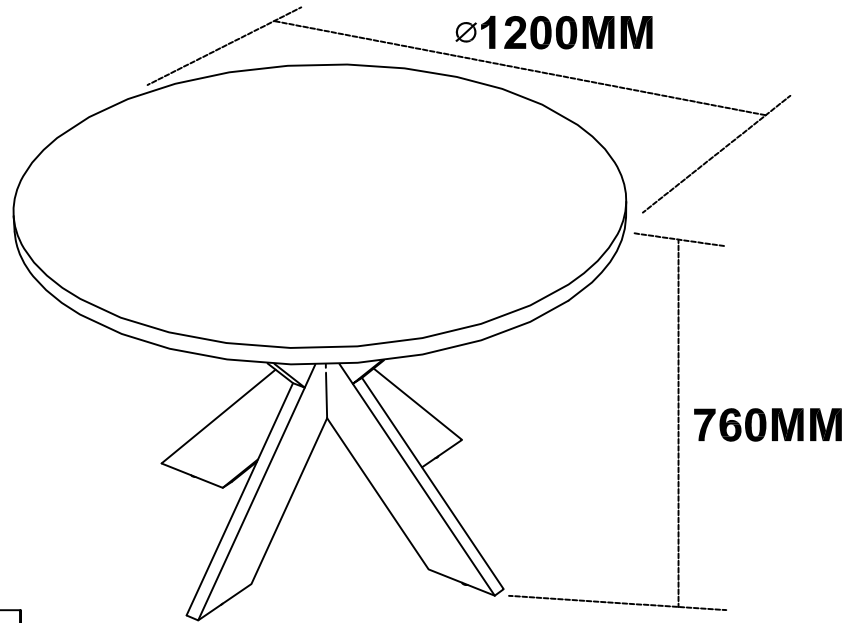
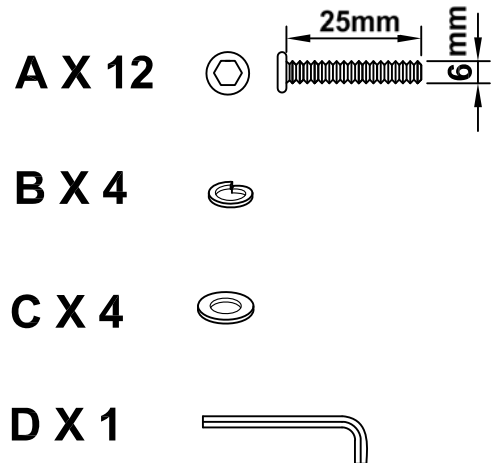
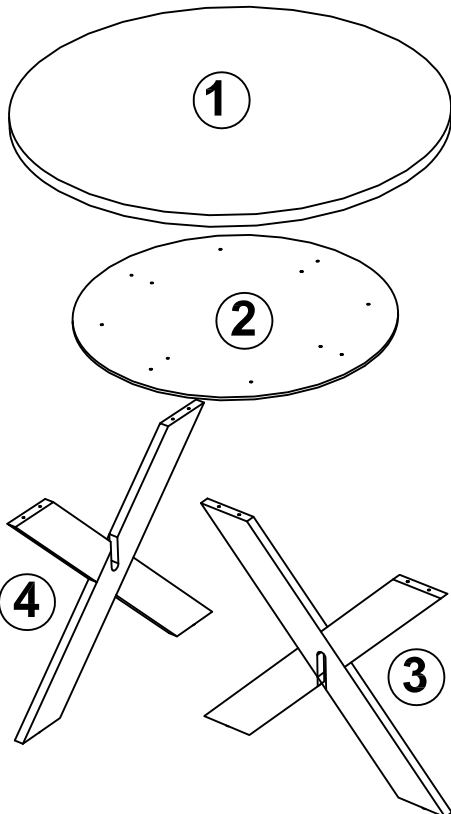


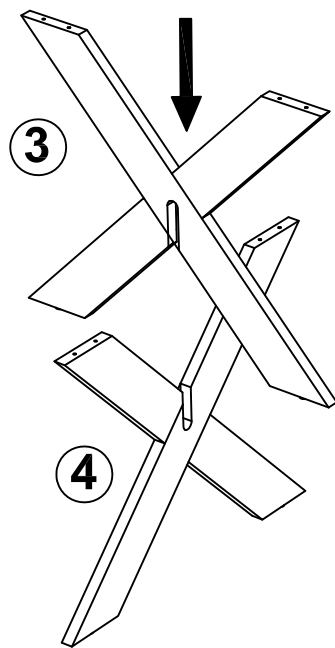
# Assembly Instruction



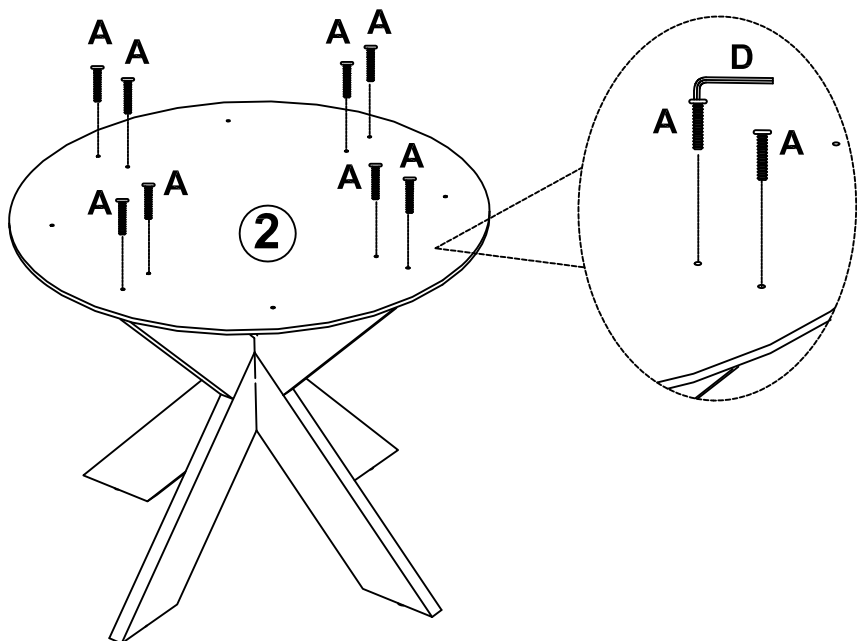
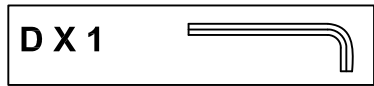
**1**



2




3




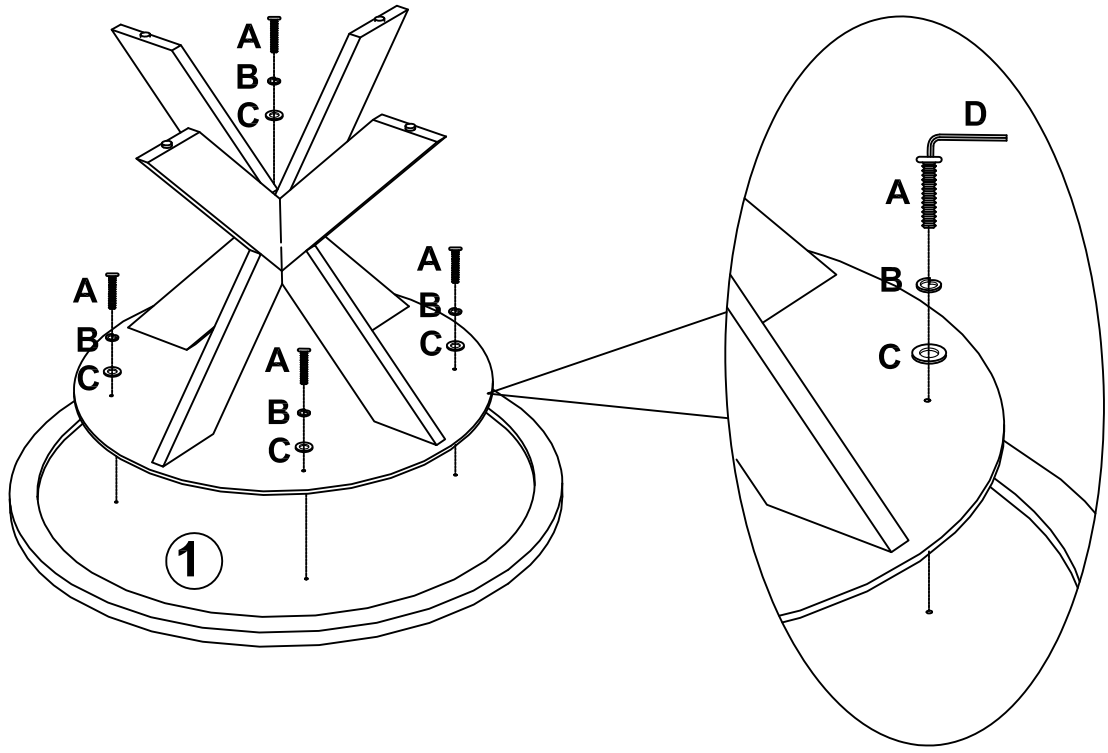
4

AX4  

BX4 

CX4 

DX1 



5

