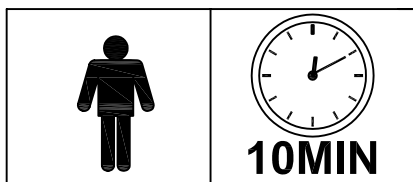
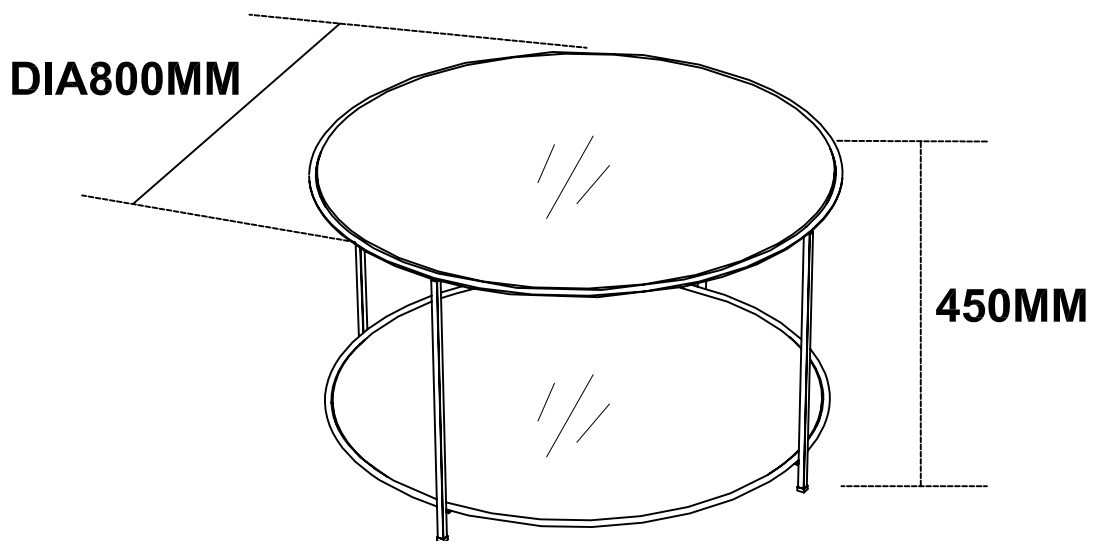
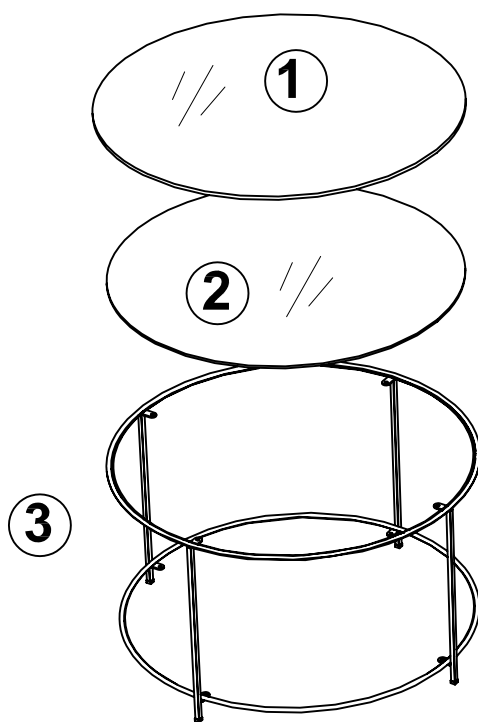


# Assembly Instruction



1



A X 8

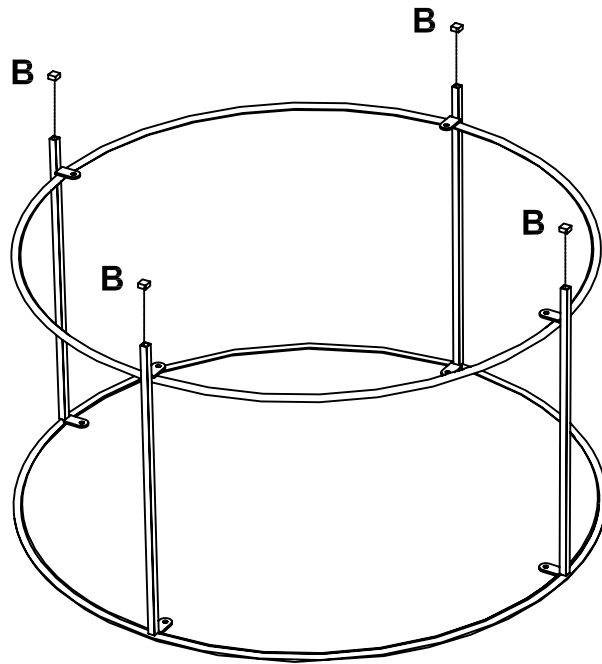


B X 4



2

B X 4



3

A X 8

