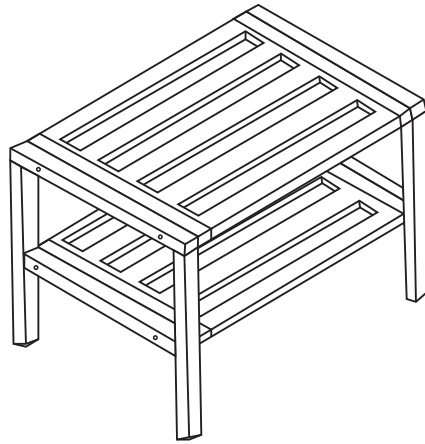
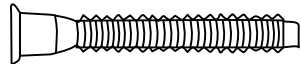


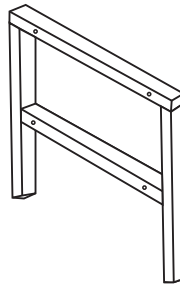
ASSEMBLY INSTRUCTION



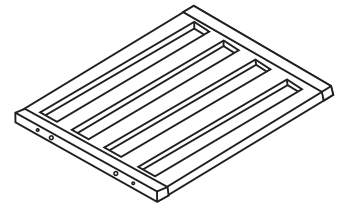
A x 8



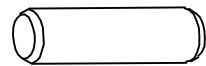
① x 2



② x 2



B x 8



C x 1

