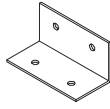


A 1X



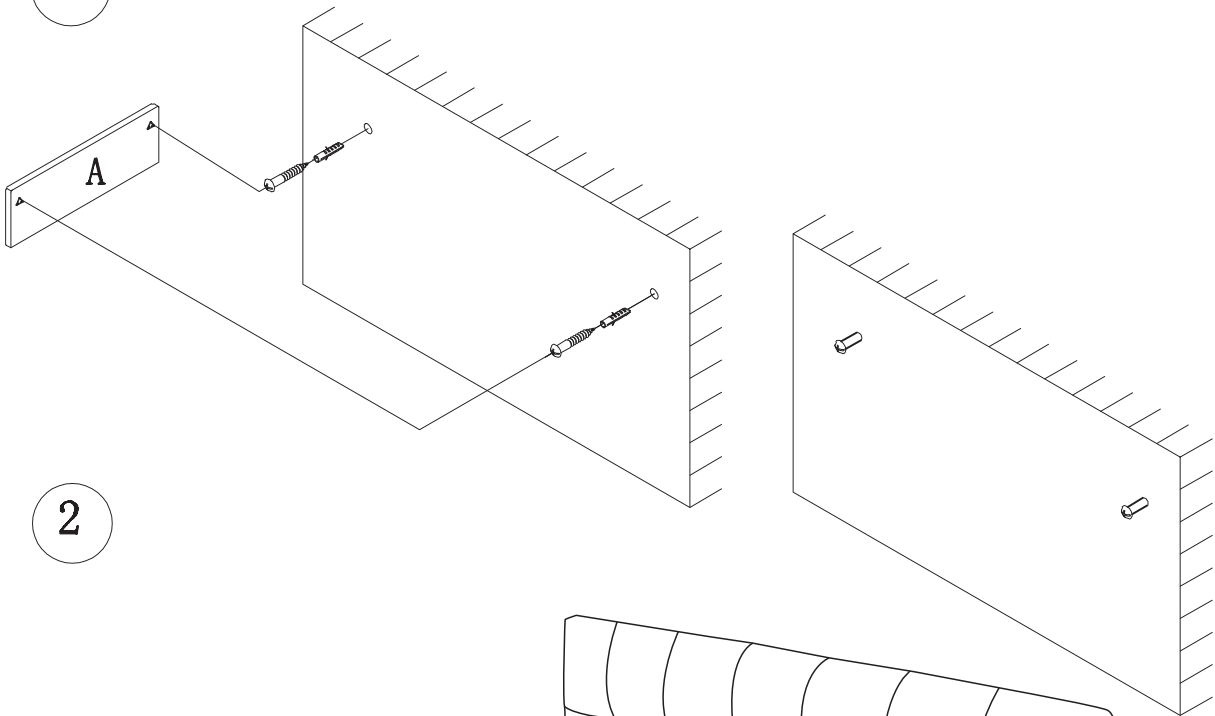
B 2X



5mmX25mm

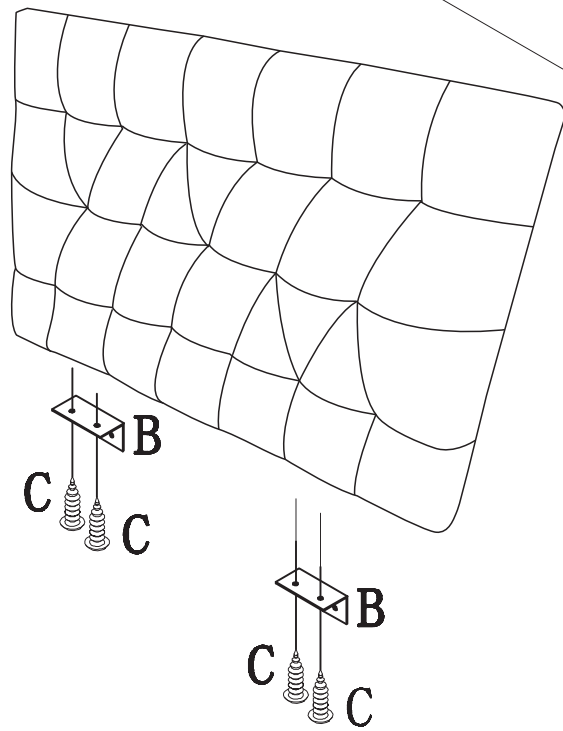
C 4X

1

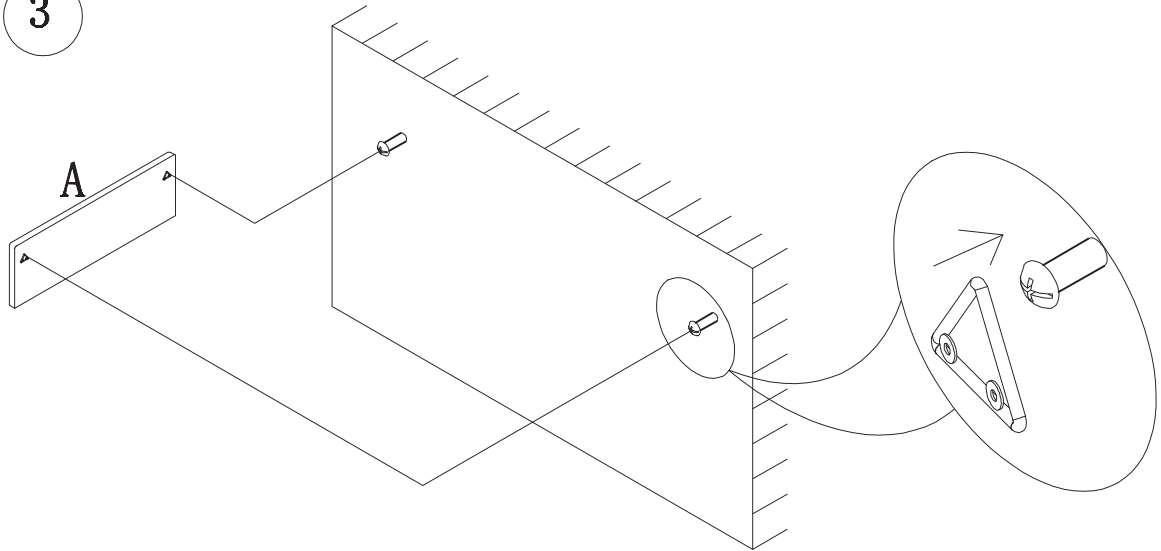


2

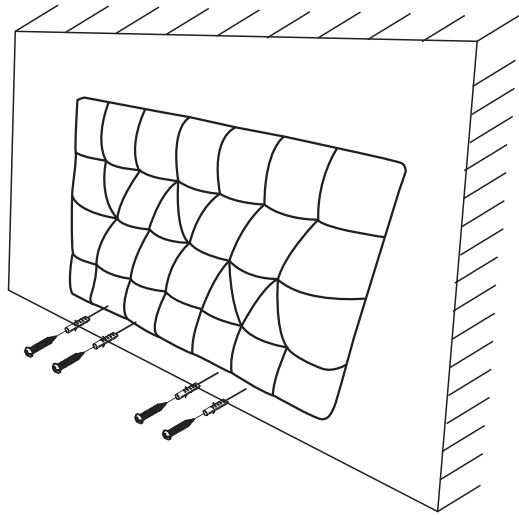
A



3



4



5

