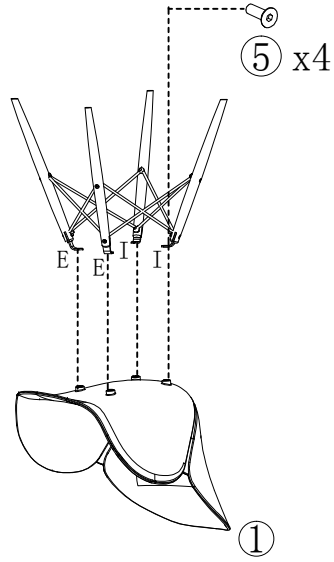


5

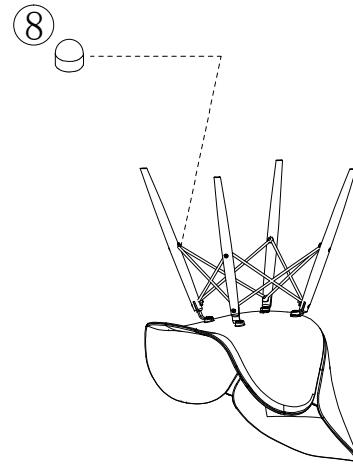
5、The metal with E installed on the front, metal I on the back, fixed them with screw, follow the picture showing.



! The position of metal E and G can not be confounded.

6

6、Put the protect cap on the nut



Each product contains

Number	Picture	Quantity
①		1
②		4
③		1
④		4

Number	Picture	Quantity	Additional accessories
⑤		4	1
⑥		8	1
⑦		8	1
⑧		8	1

X 1
 X 1

FL-08W



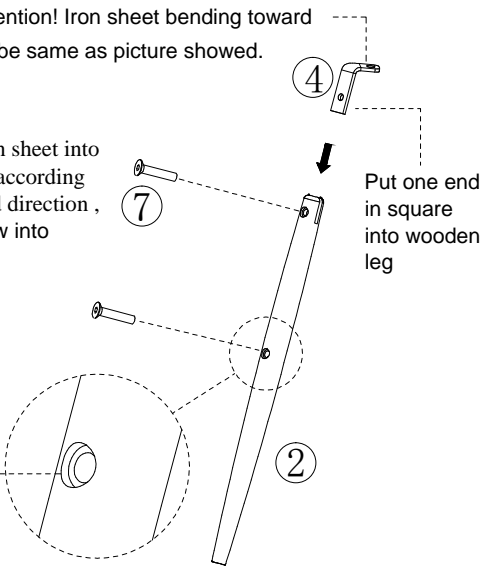
Assembly instructions

1

! Attention! Iron sheet bending toward must be same as picture showed.

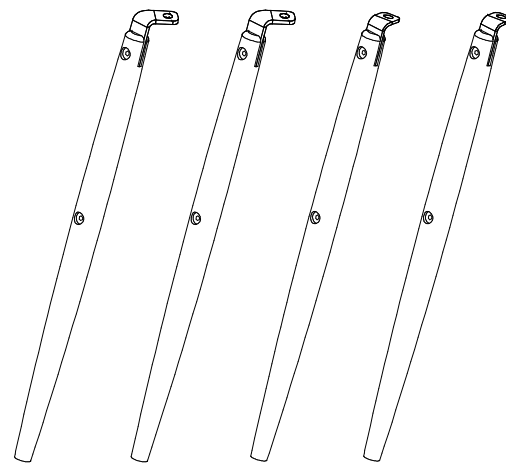
1、Put the iron sheet into wood leg first according picture showed direction, and then screw into

! put the screws from the side with countersunk holes



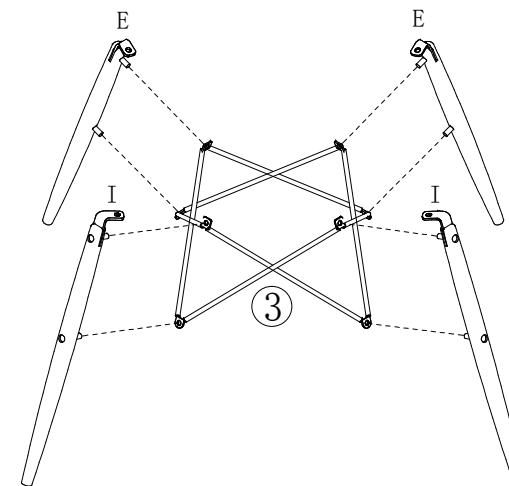
2

2、Put 4 legs in same way, then finished as picture showed.



3

3、there are numbers on iron plate, assemble wood les and Reinforced frames in accordance with figure No. sort



4

4、Tighten the screws with nuts

