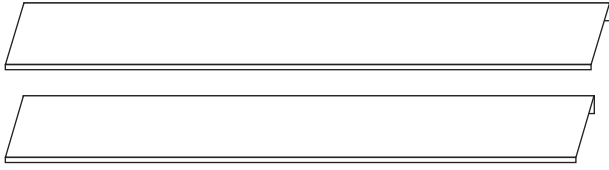
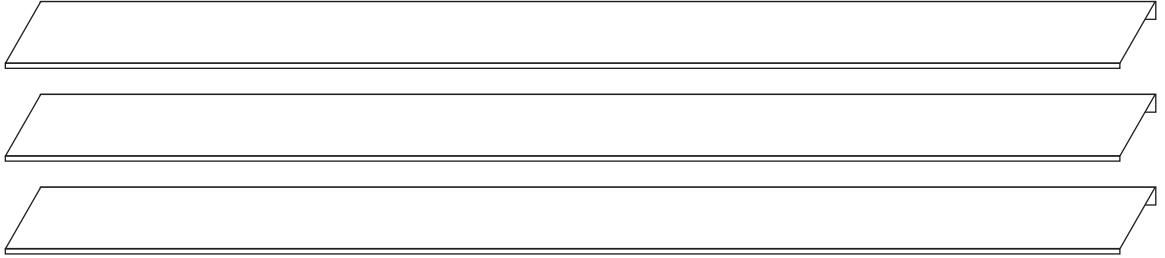


Assembly Instructions

A1X2



A2X3



Cx12

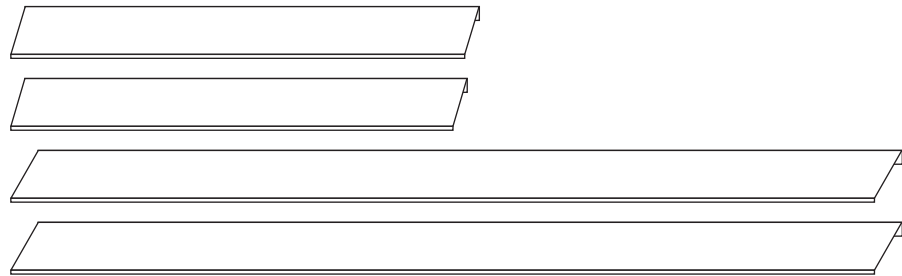
B1x10

B3x4

B2x6



Step 1



B3

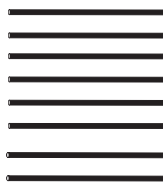
A2

B1

C



B1x6

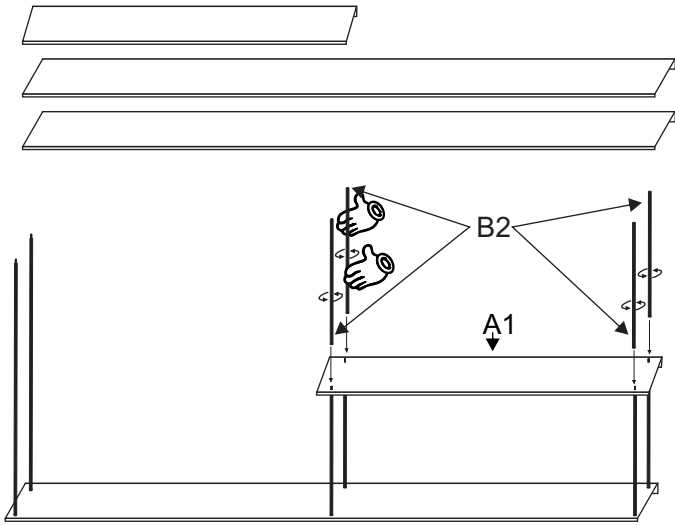


B2x6

B3X2

..... Cx6

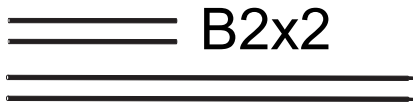
Step 2



..... Cx6



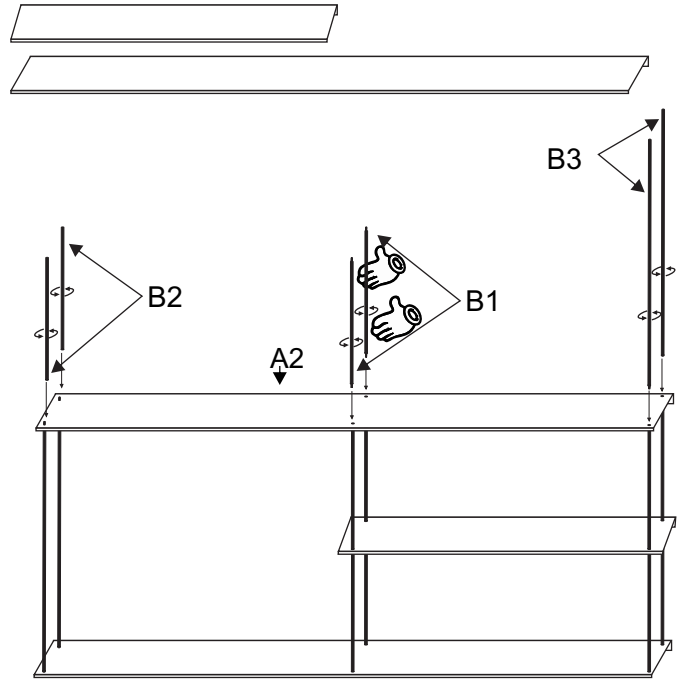
B1x6



B2x2

B3X2

Step 3

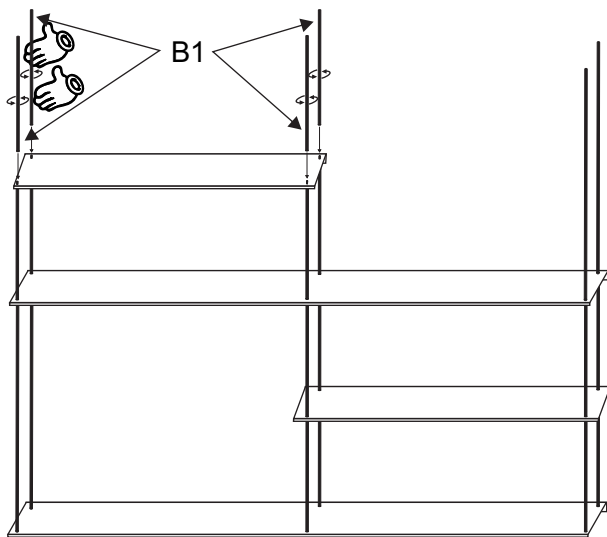
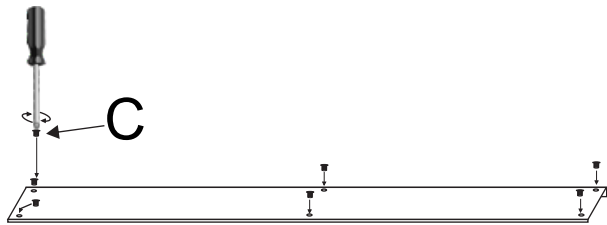


..... Cx6

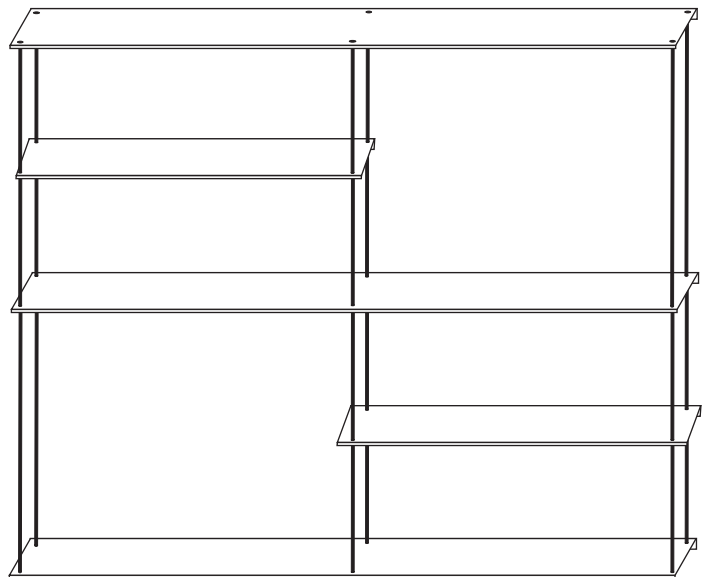


B1x4

Step 4



Step 5



Step 6