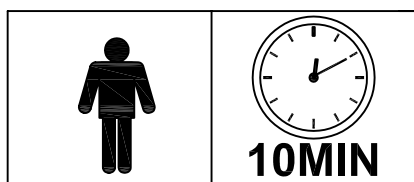
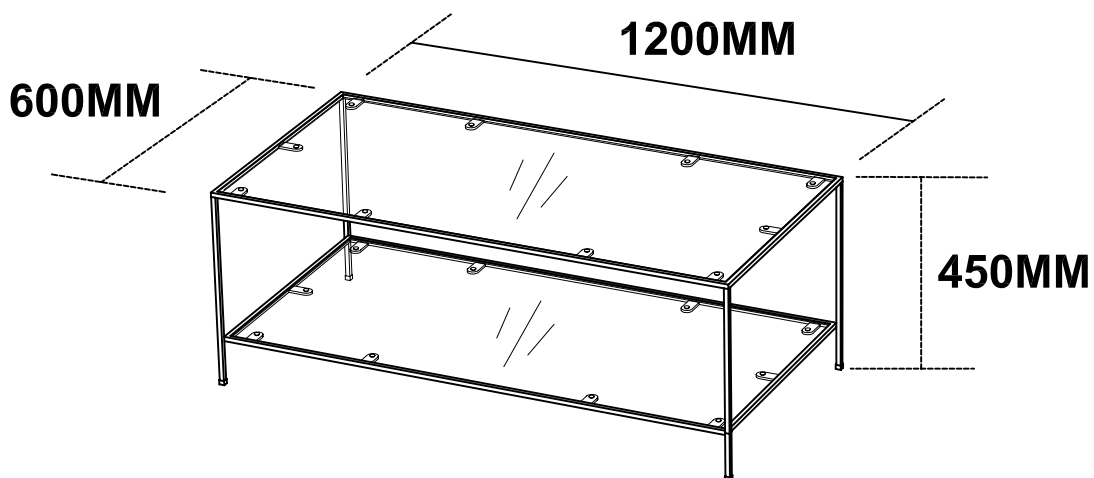
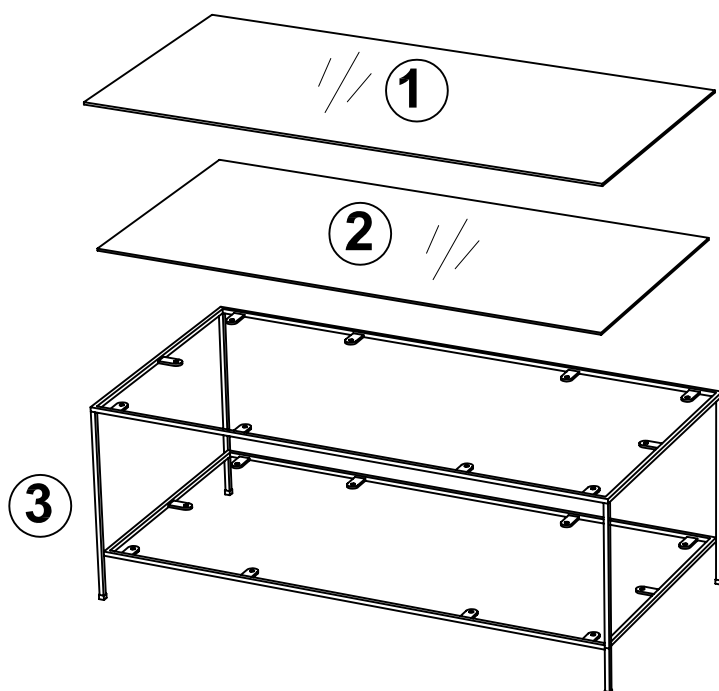


Assembly Instruction



1

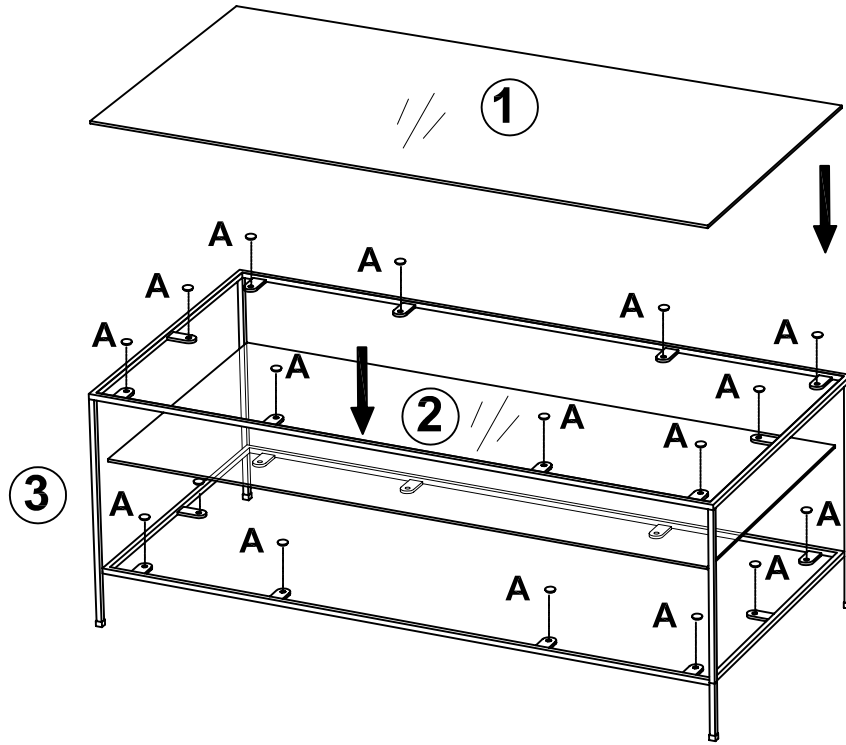


A X 20



2

A X 20 ○



3

