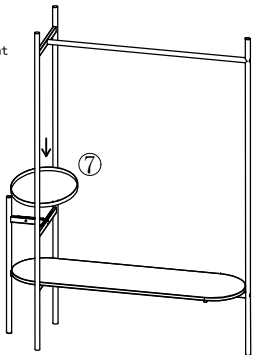


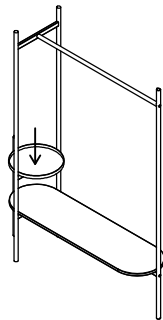
5

Tear off the 3M glue film and place the plate horizontally on the frame (Keep the plate 2mm distant to frame edge)



6

Press the plate for seconds until glued, the installation is completed.

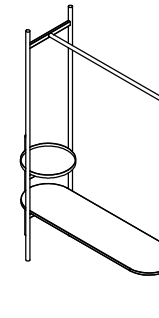


Each contains

No.	Picture	QTY	No.	Picture	QTY	EXTRA
①		1	⑧		2	1
②		1	⑨		3	1
③		1	⑩		8	1
④		1				
⑤		1				
⑥		1				
⑦		1				

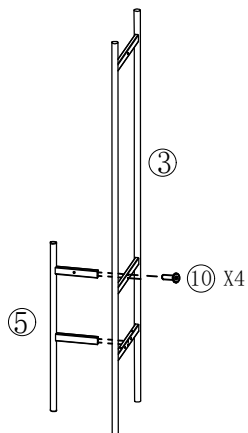
	6mm	x1
	5mm	x1
	4mm	x1

DXF1502

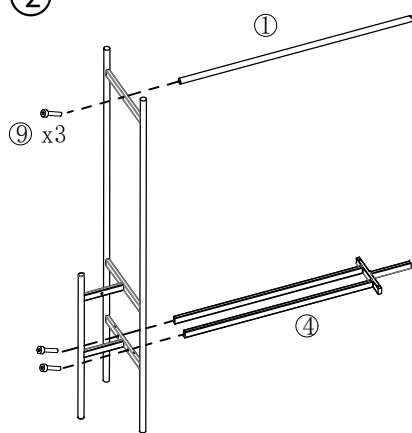


ASSEMBLY INSTRUCTION

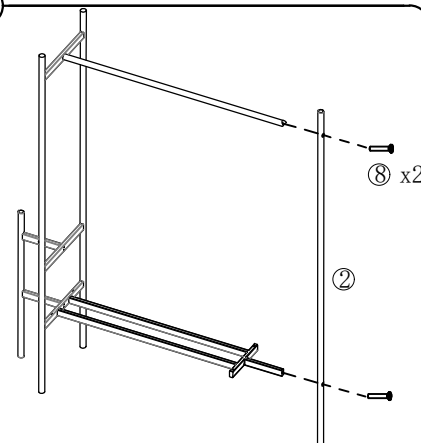
1



2



3



4

