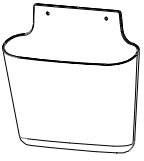


AS

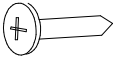
① X1



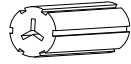
② X1



③ X2+1



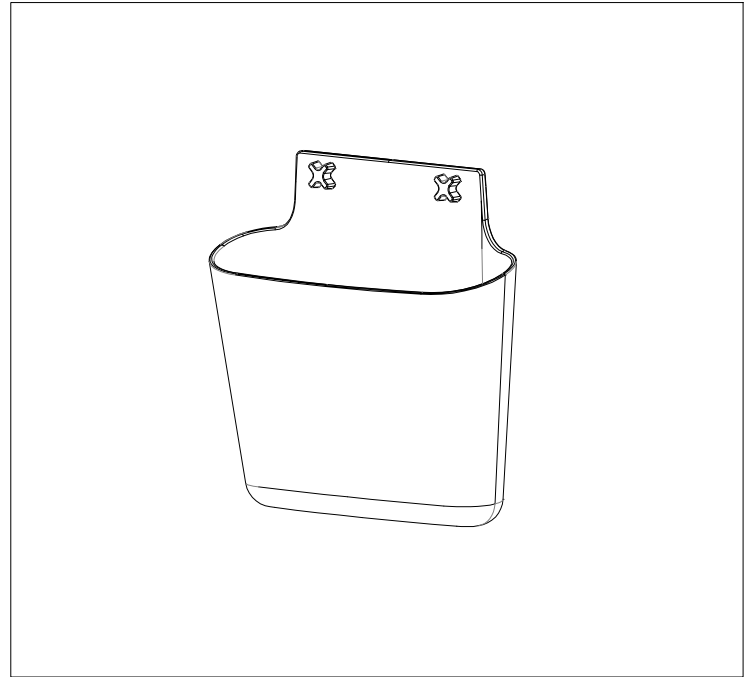
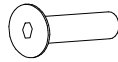
④ X2+1



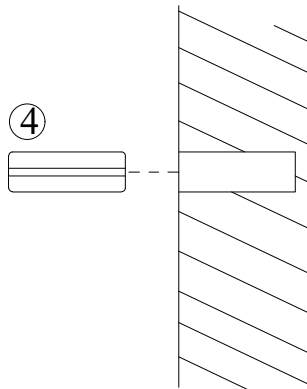
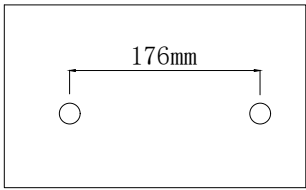
⑤ X2



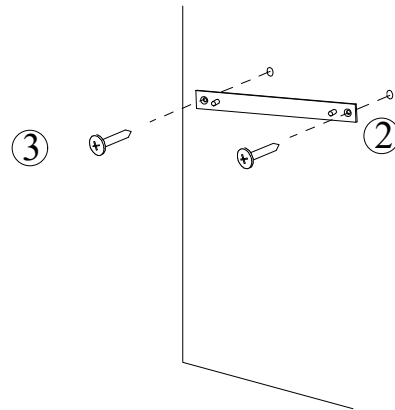
⑥ X2+1



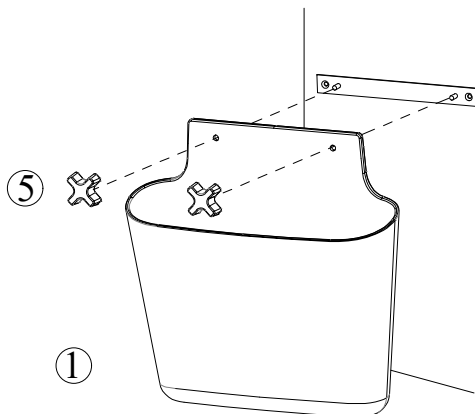
1 Drill 2 holes on the wall with 6mm dia and 30mm depth. Insert part ④. (Ignore this step if it is wooden wall)



2 Fix part ② on the wall



3



The box can be combined together as shown

