




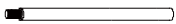
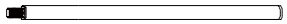
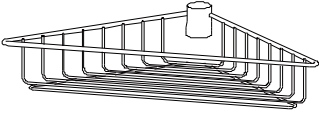

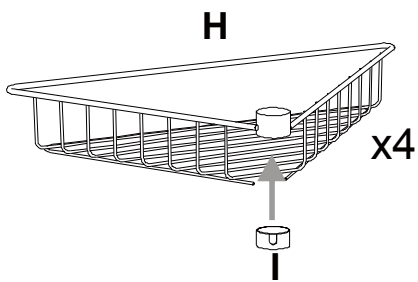
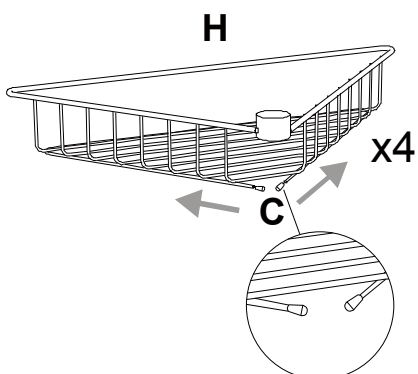


A		1	top end cap
B		1	bottom end cap
C		8	wire end cap
D		4	rubber ring
E		1	2-piece tube
F		1	short tapered tube
G		2	long tapered tube
H		4	basket
I		4	plastic ring

1

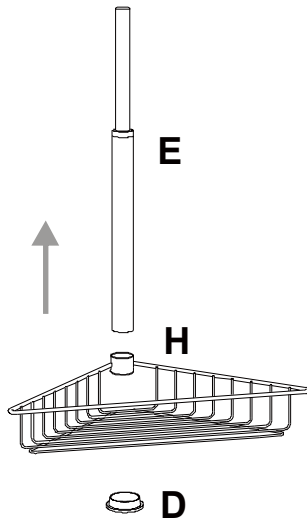


Insert plastic rings (I) into basket (H) .



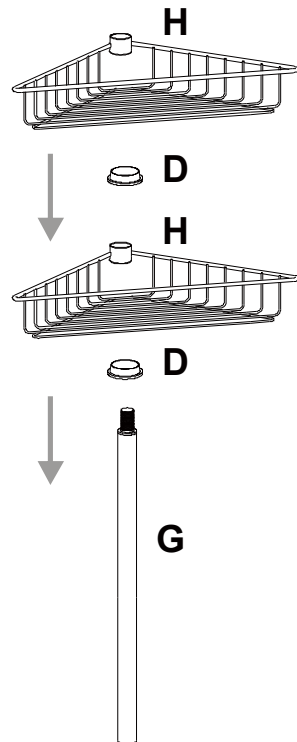
Insert wire end caps (C) into basket (H).

2



Slide a basket (H) upward 2-piece tube (E) approximately half way and fit over rubber ring (D).

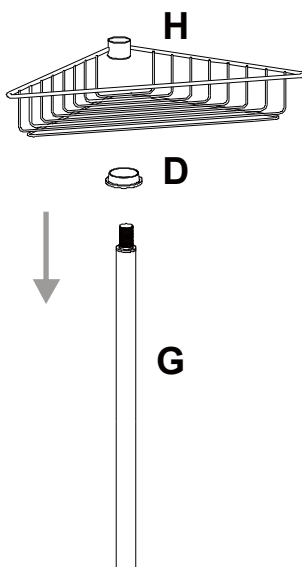
3



Slide a basket (H) with rubber ring (D) down the long tapered tube (G).

Repeat with a second rubber ring (D) and basket (H) as shown in figure 3.

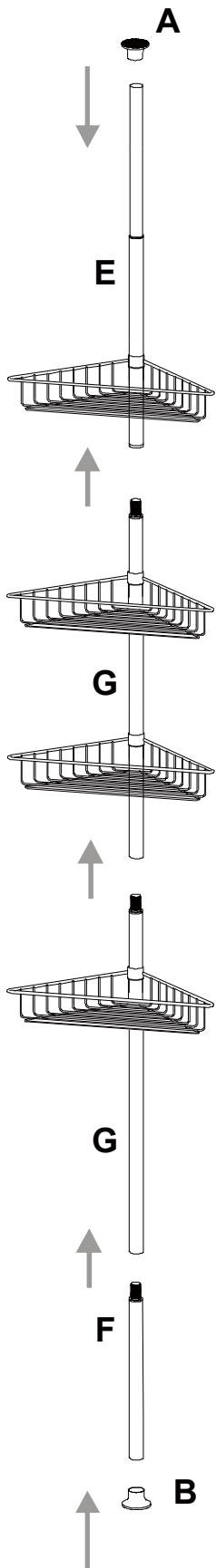
4



Repeat previous step, slide a basket (H) with rubber ring (D) down the long tapered tube (G).

NOTE: Basket can be adjusted by moving the rubber ring (D) up or down.

5



Place the top end cap (A) onto the 2-piece tube (E).

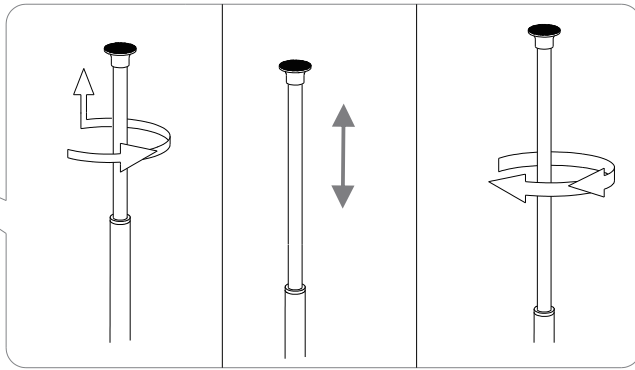
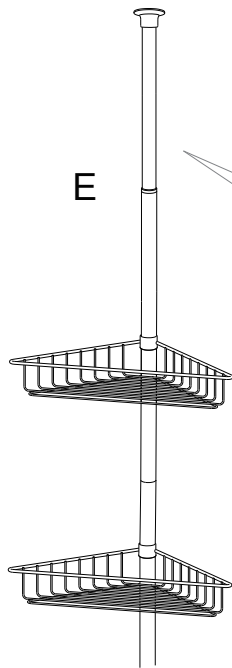
Insert narrow end of the assembly from step 3 into the bottom of the 2-piece tube (E).

Then, insert the narrow end of another long tapered tube (G) into the bottom of the previous assembly.

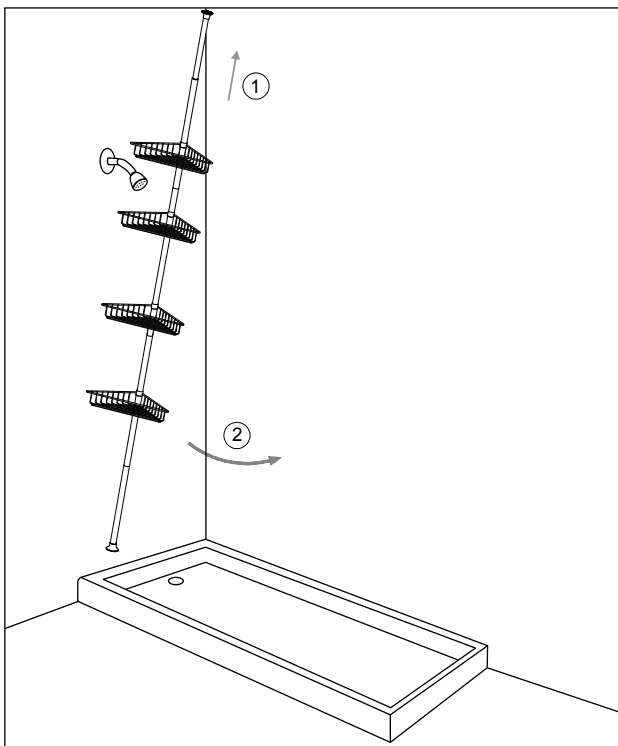
Followed by the remaining short tapered tube (F).

Place the bottom end cap (B) onto the short tapered tube (F).

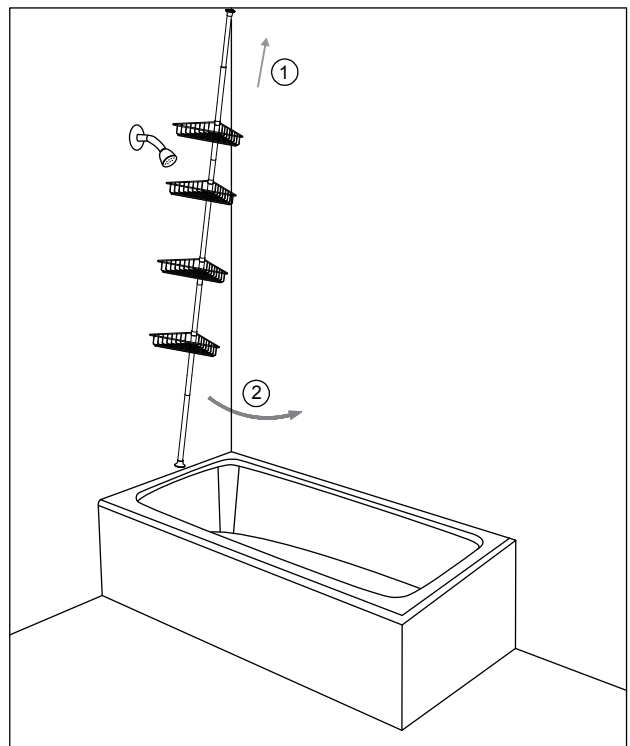
6



Rotate and loose 2 piece-tube (E).
Adjust 2-piece tube (E) to the appropriate
height then tighten.



Shower stall floor



Tub ledge

Compress top of the unit against the ceiling in the desired location.
Move the bottom end into place so that the unit is in a vertical position.