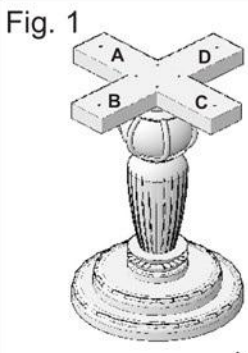


ASSEMBLY INSTRUCTIONS FOR CHENNAI BLACK DINING TABLE

(SKU#1523341-02-0/1523342-02-0)



Leg : 1 Pc

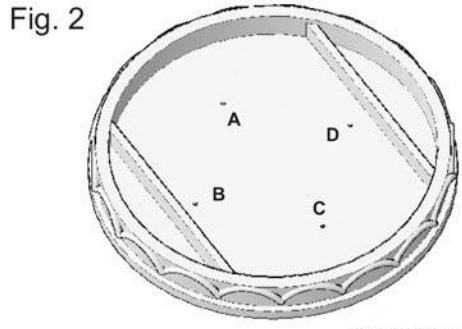


Table Top : 1 Pc



Bolts:4+2 pcs
Washer :4+2 Pcs



Allen key : 1 Pcs

Pre-assembly:

- Please read all instructions carefully before beginning assembling.
- It is recommended that assembly is done on a soft surface such as carpet to avoid any damage.
- We recommend adult assembly by two people for your safety.

Fig. 3

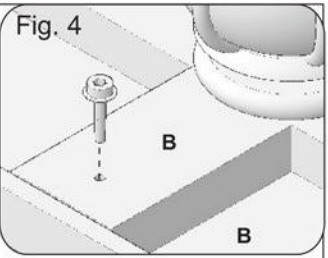
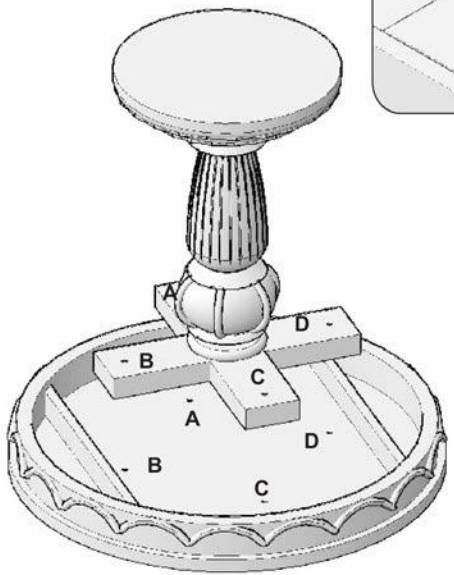


Fig. 4

Step 1 : Turn table top upside down onto a clean surface as shown in the Fig. 2.

Step 2 : Match label on table top with the label on leg ("A" with "A" and "B" with "B") as shown Fig. 3.

Step 3 : Put the washer on to a bolt and Insert into the leg & tighten with the allen key provided (Fig. 4).

Step 4 : Repeat this for remaining holes on the leg.

Step 5 : Turn the table in upright position after assembly as shown in Fig 6.

Fig. 5

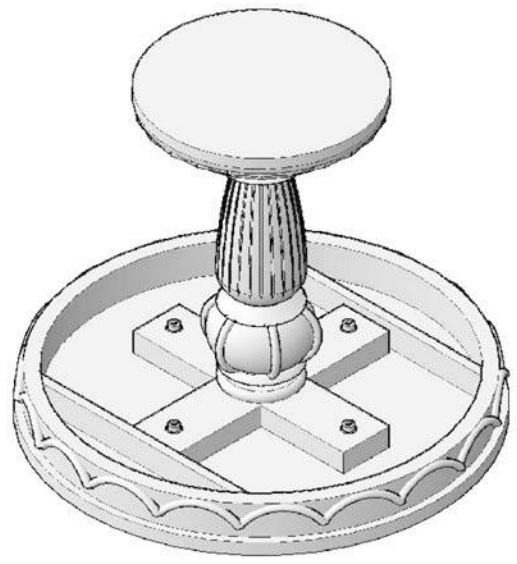


Fig. 6



Care Information:

- Clean using a soft, dry cloth.
- Do not use harsh abrasives, chemicals or polishes containing silicone to as they can damage this finish.
- Avoid direct sunlight as this will cause the timber to change colour. • It is important to remove moist substances immediately.