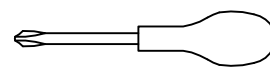
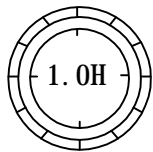
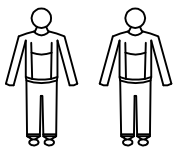
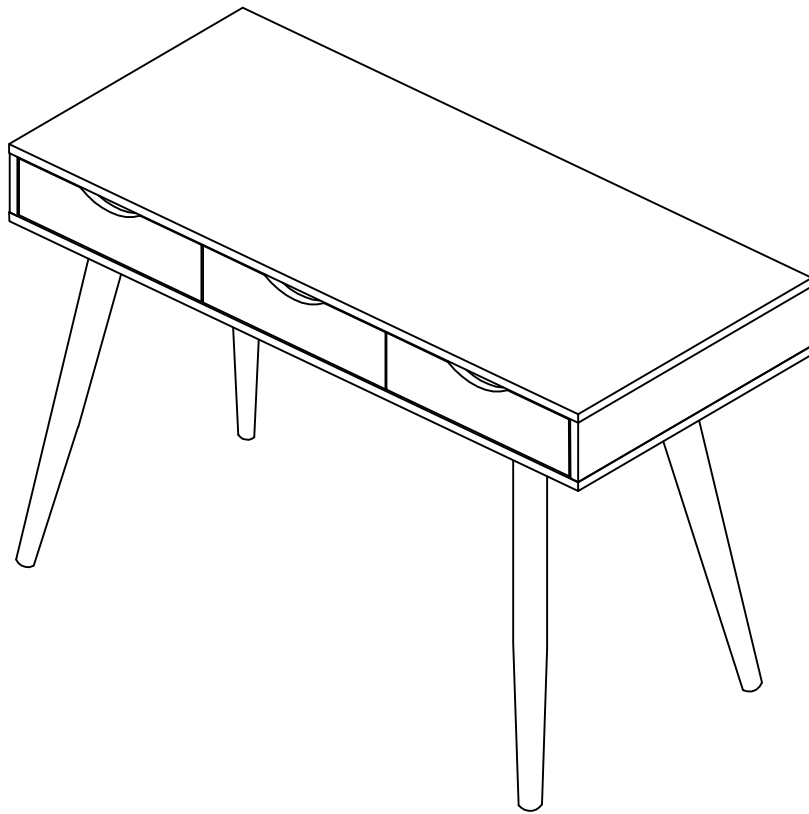
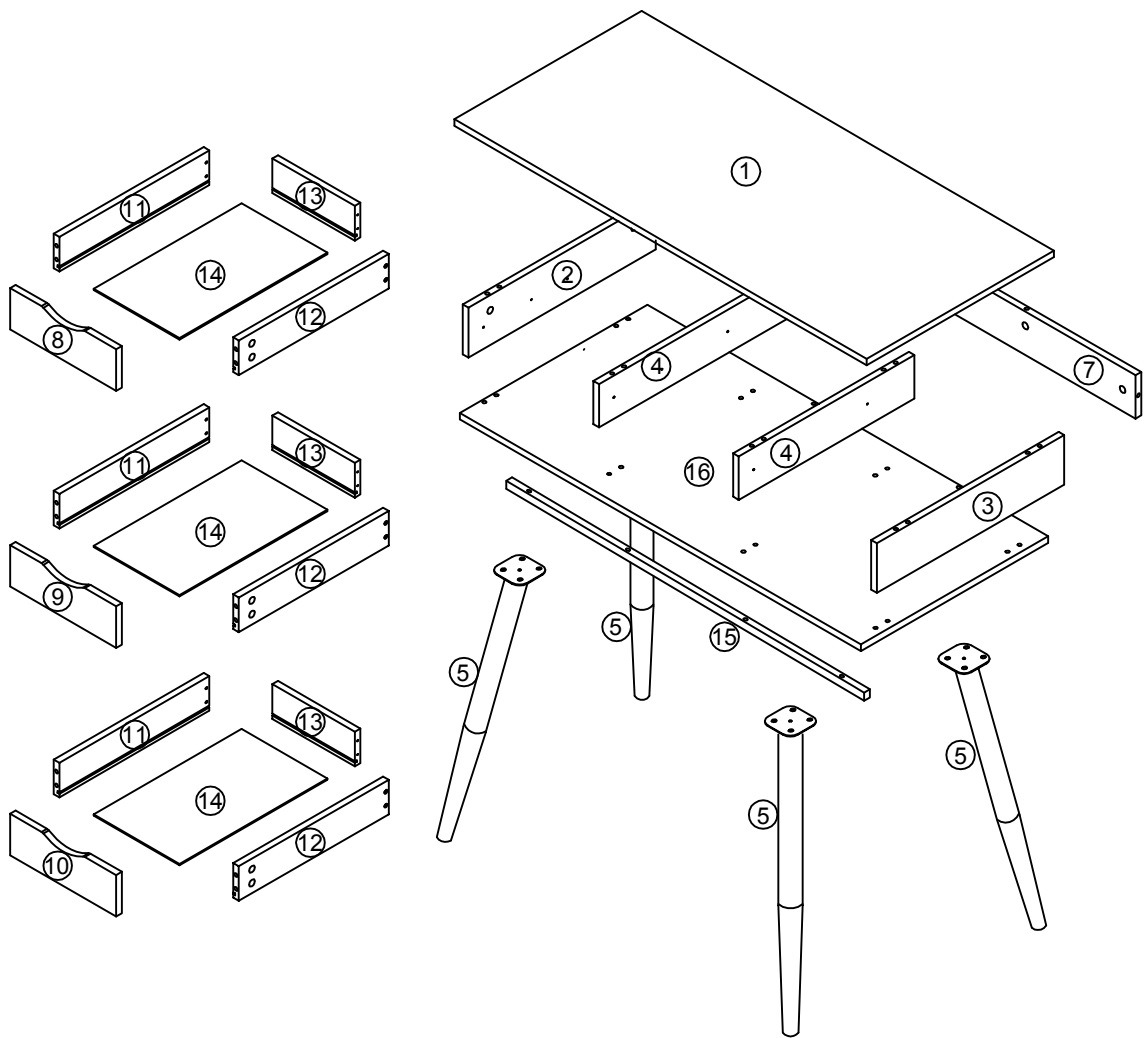


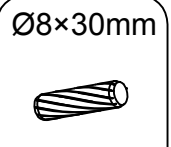
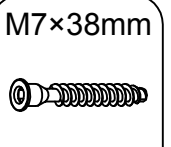
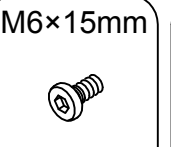
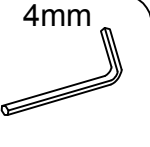
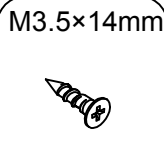


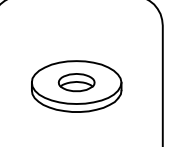



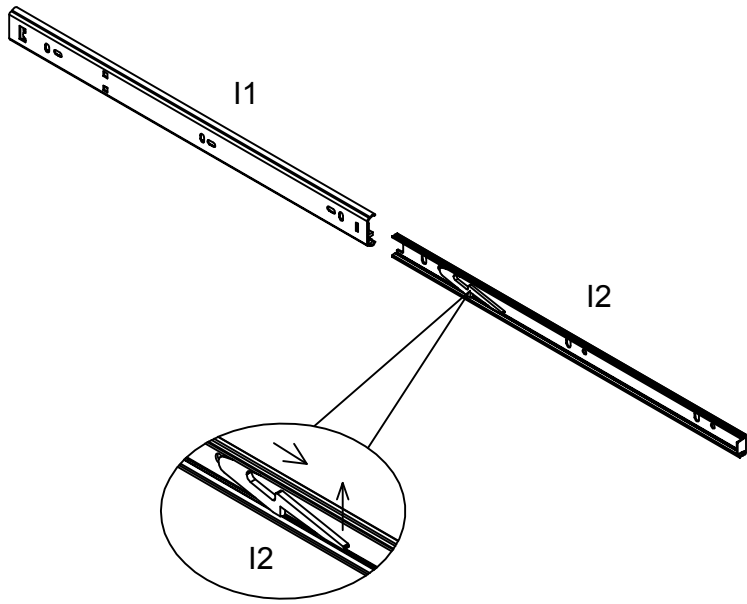
Neptun



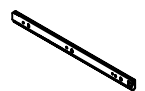


 A × 25	 B × 25	 C × 16	 D × 11	 E × 16	 F × 1
 G × 24	 H × 12	 I × 6	 J × 16	 K × 4	

1

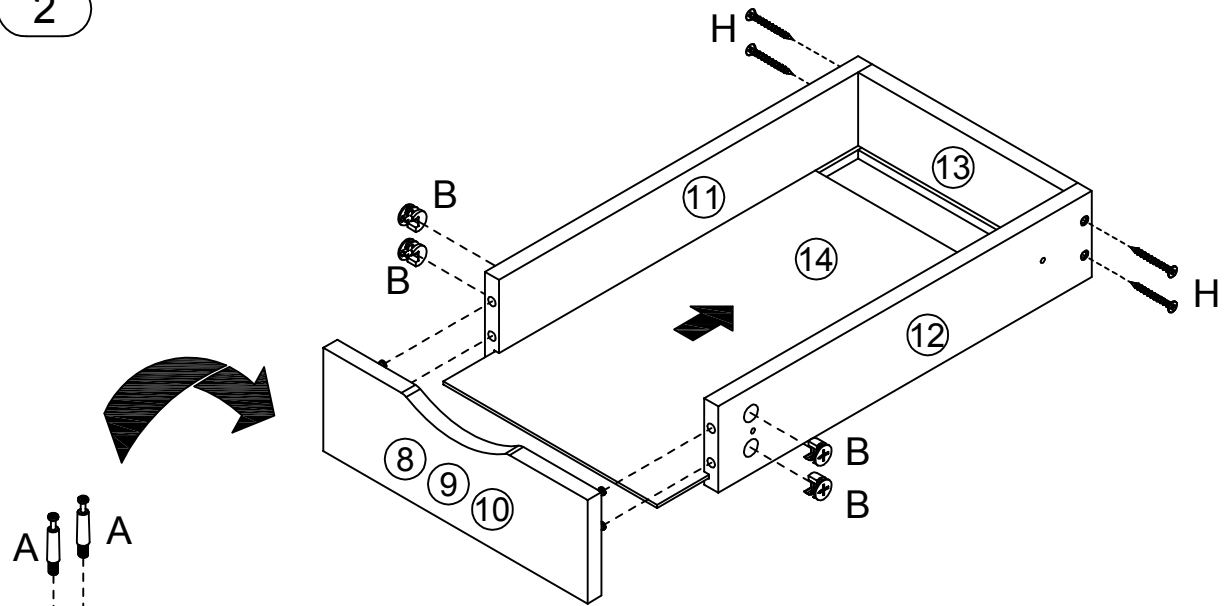


L=380mm

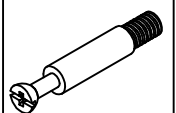


I x 6

2




M6×45mm




A x 12

Ø15×12mm



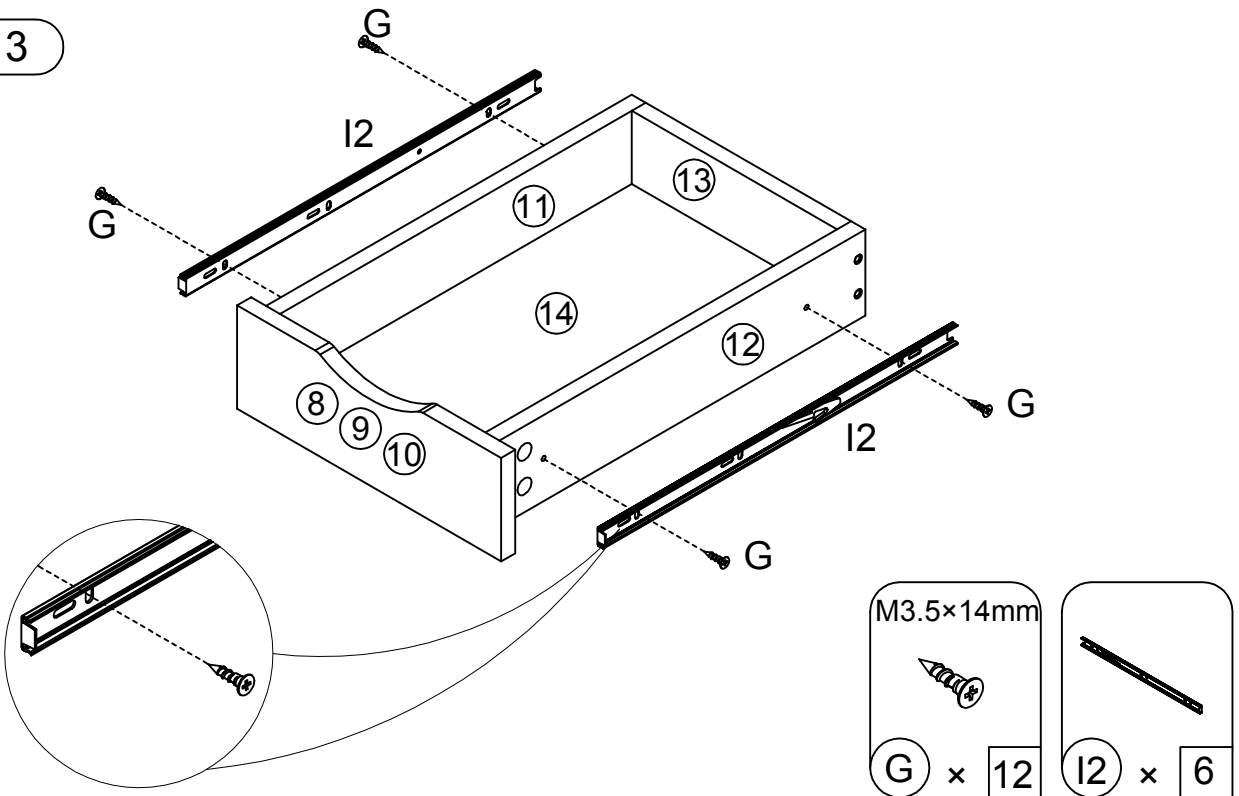
B x 12

M4×35mm

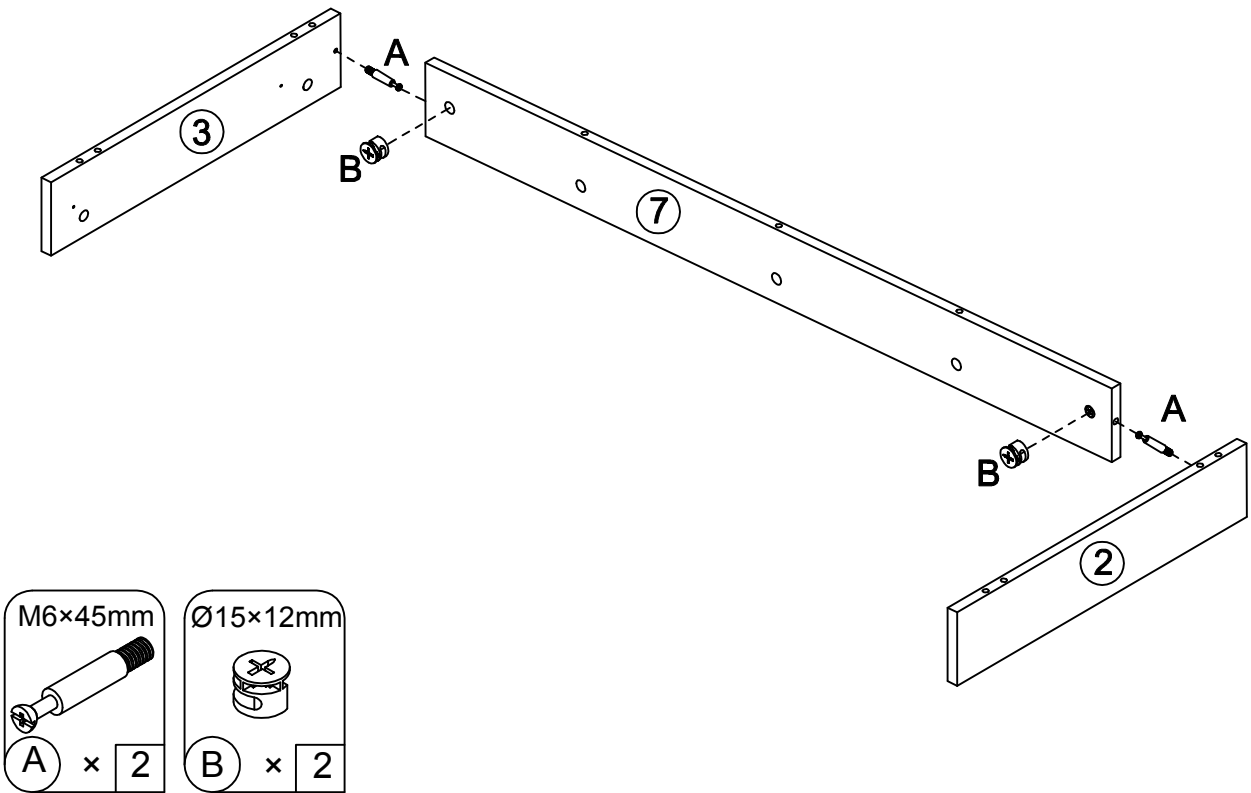


H x 12

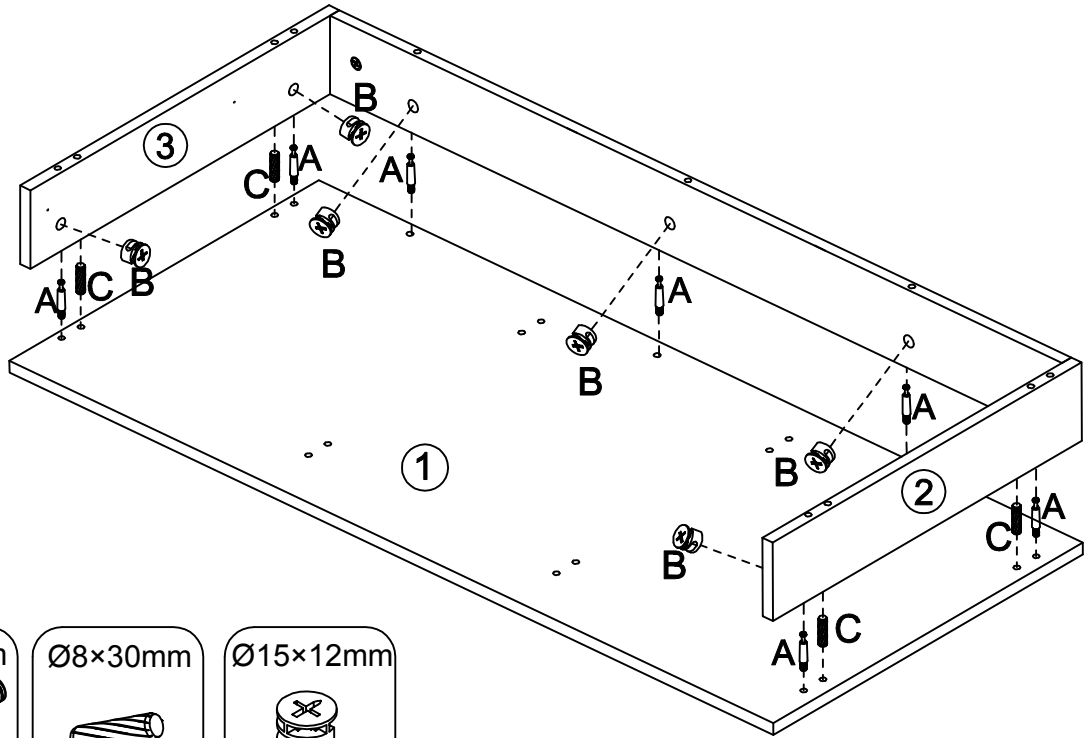
3



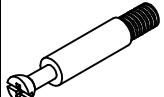
4



5

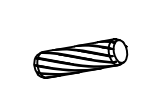


M6×45mm



A × 7

Ø8×30mm



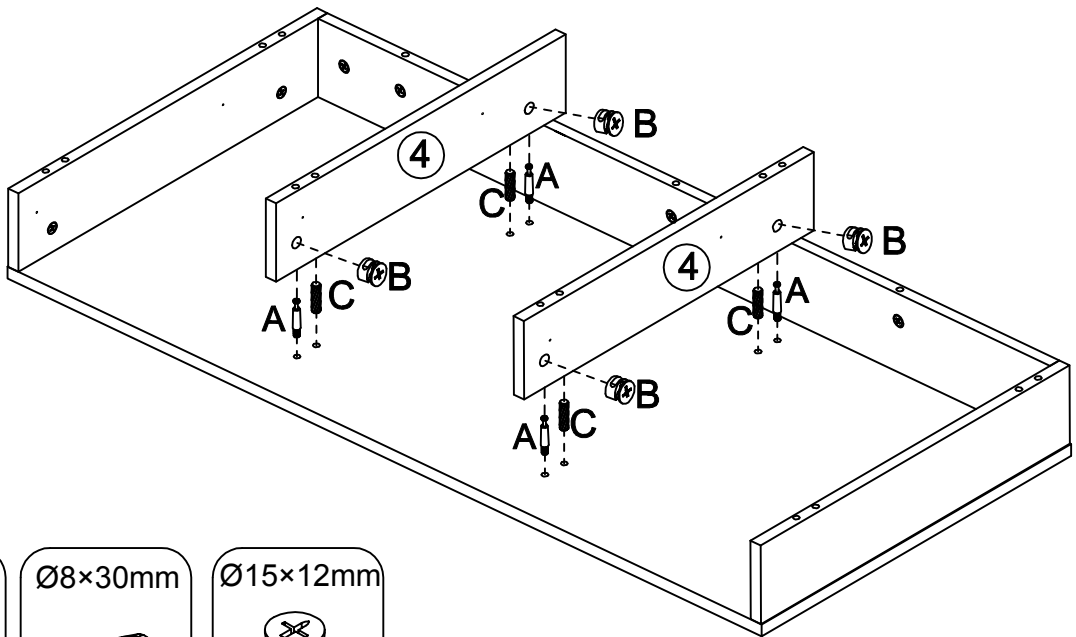
C × 4

Ø15×12mm

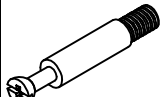


B × 7

6

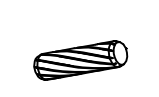


M6×45mm



A × 4

Ø8×30mm



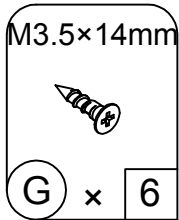
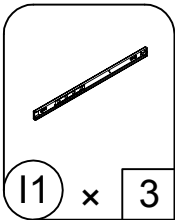
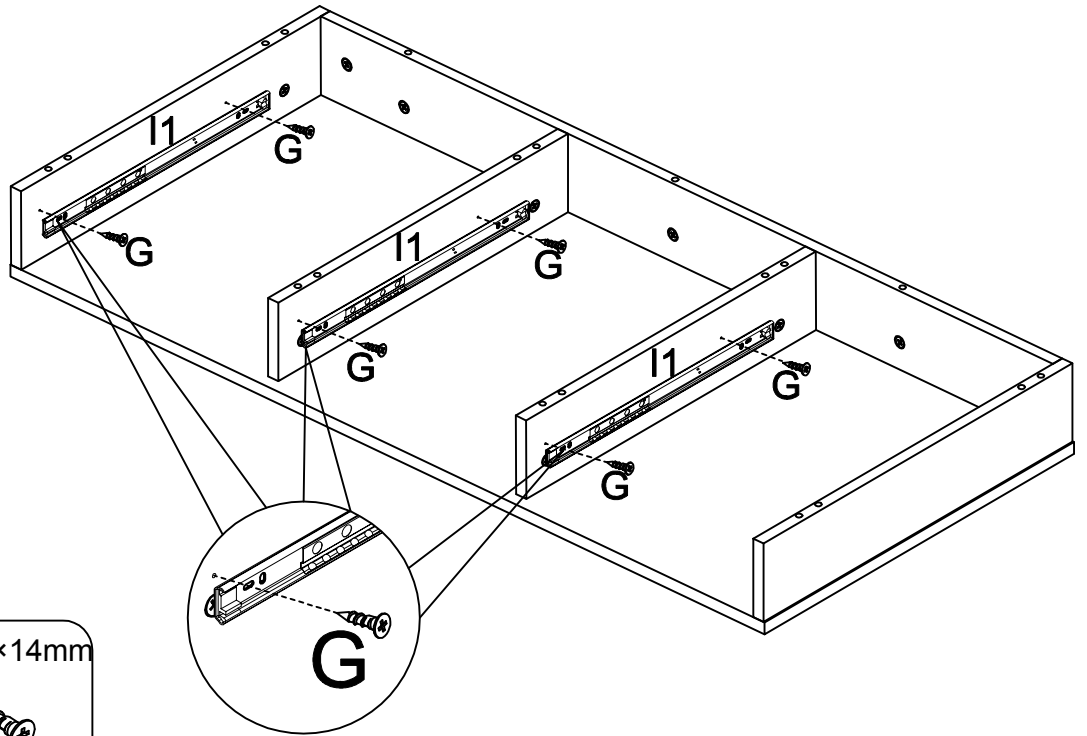
C × 4

Ø15×12mm

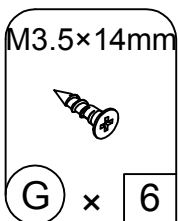
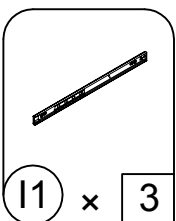
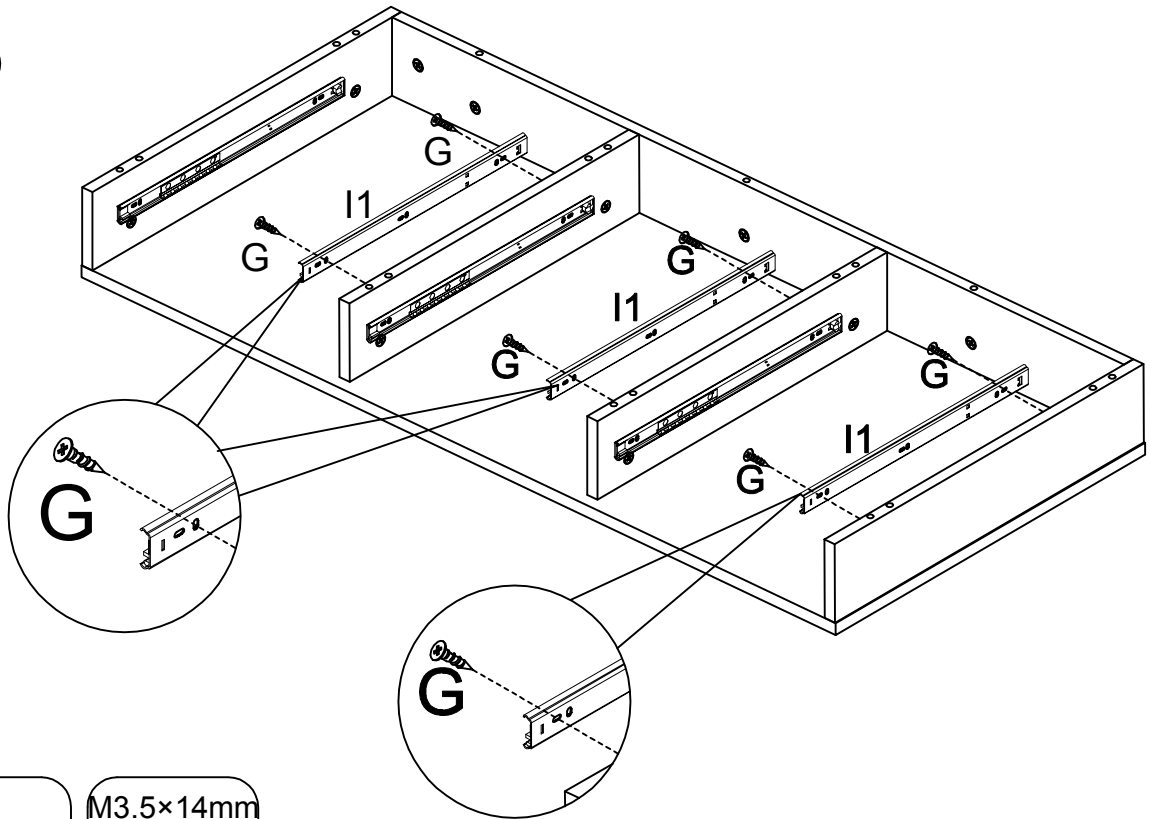


B × 4

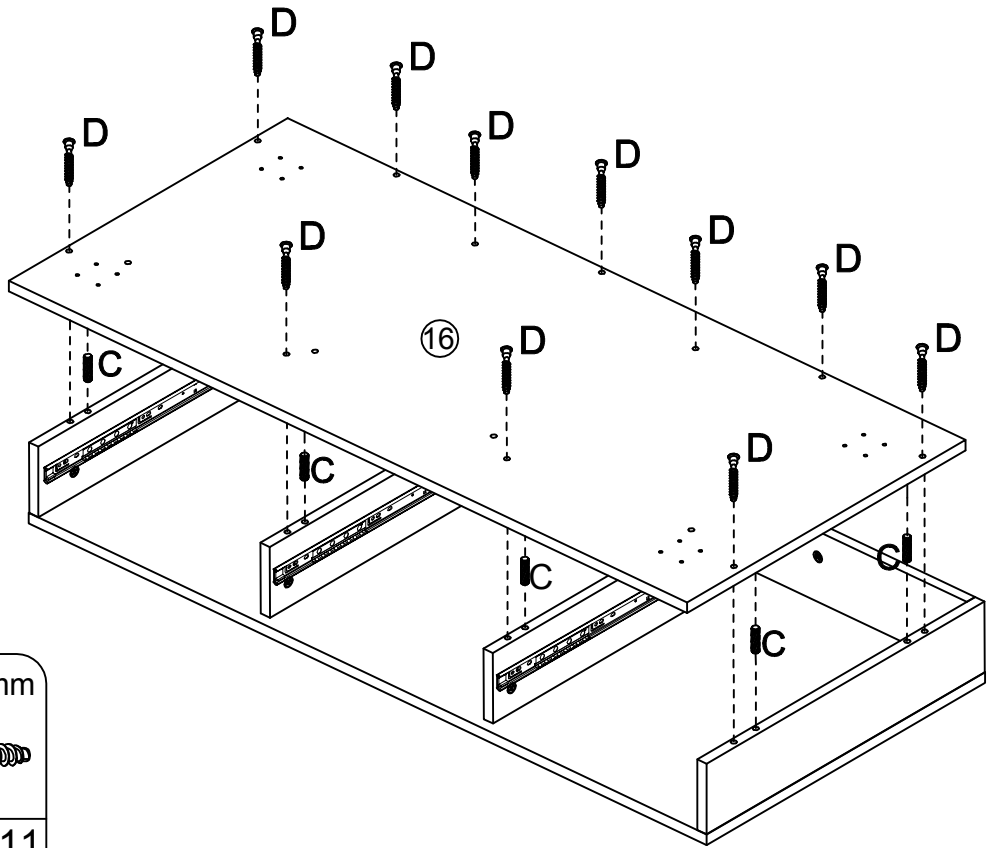
7




8



9




Ø8×30mm



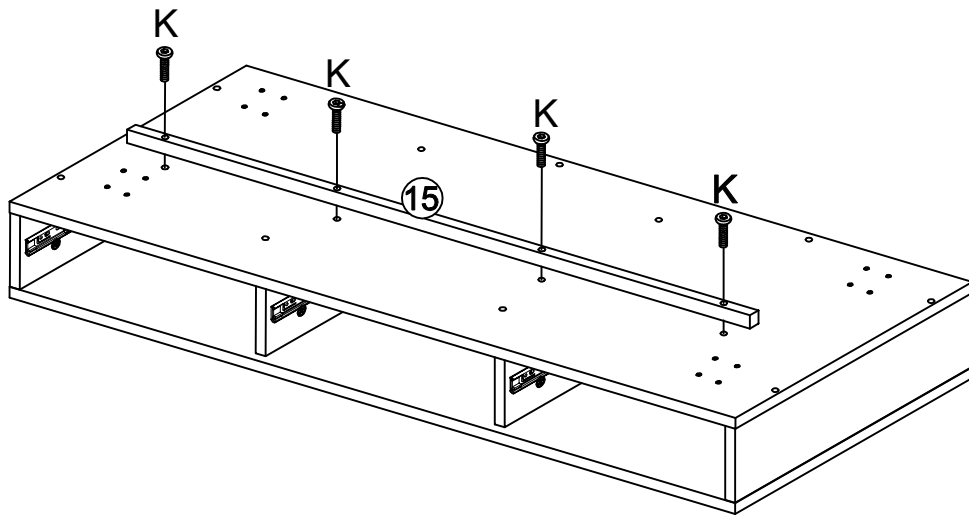
C x 8

M7×38mm




D x 11

10




M6×30mm



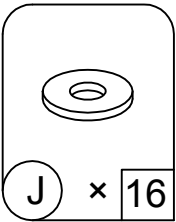
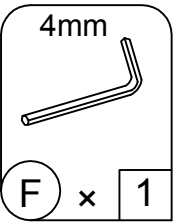
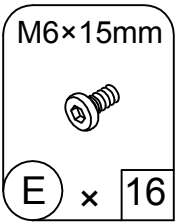
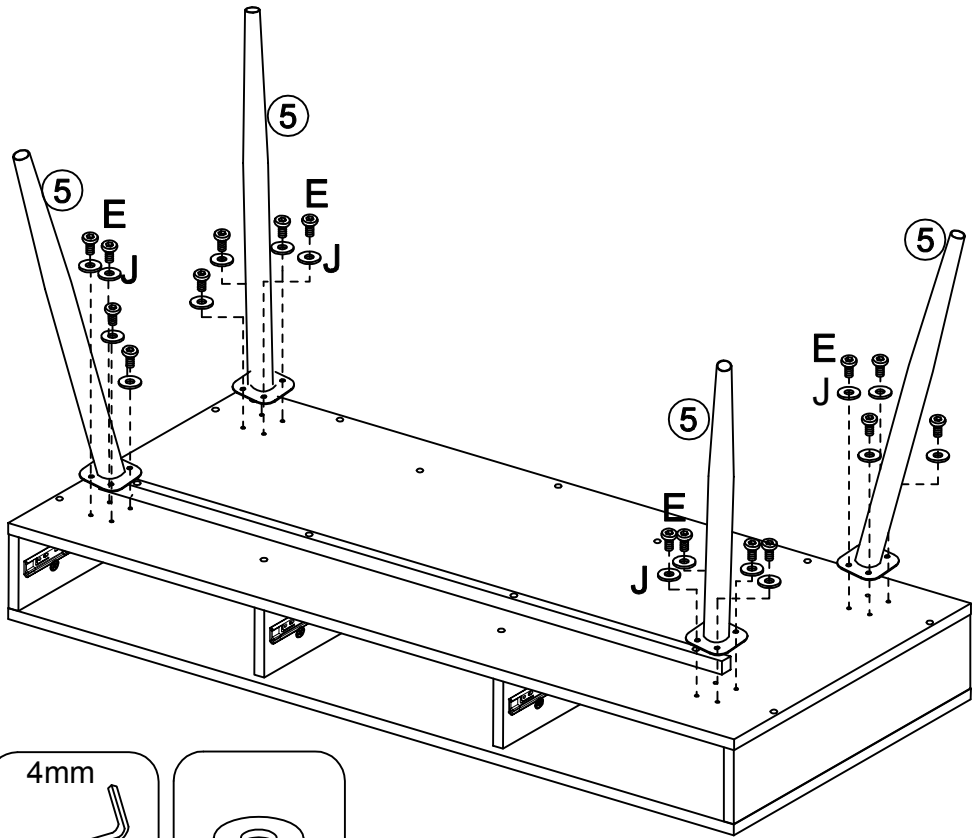
K x 4

4mm

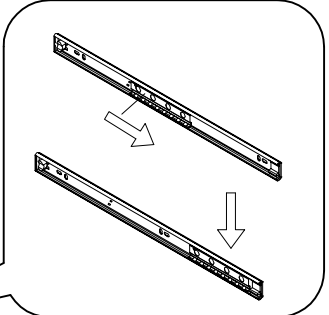
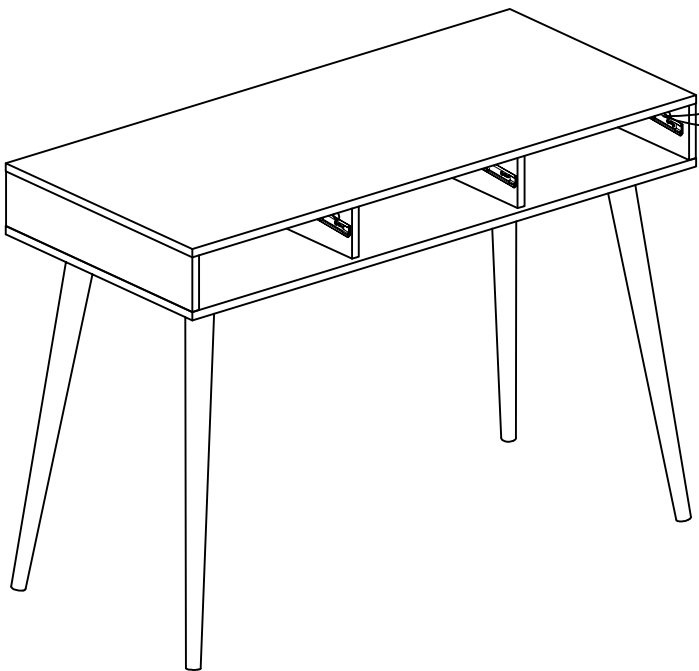


F x 1

11



12



13

