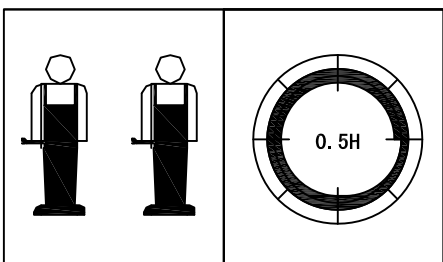
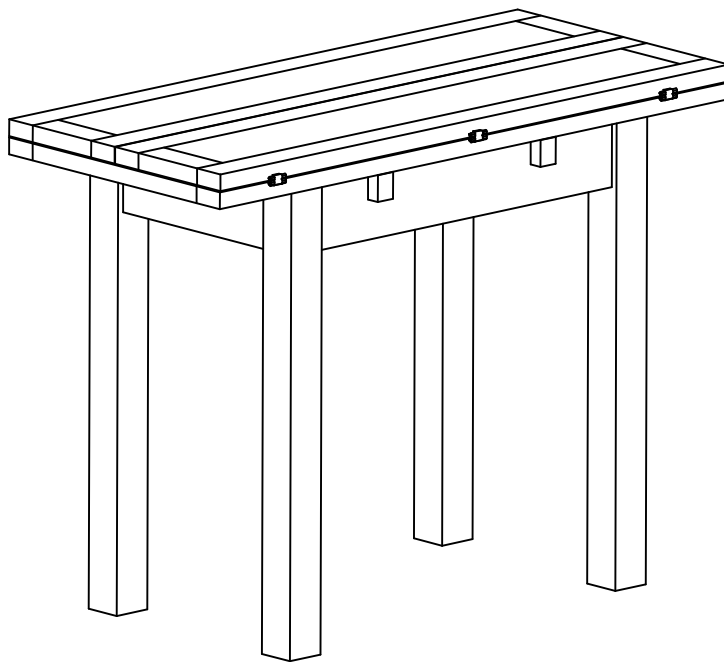
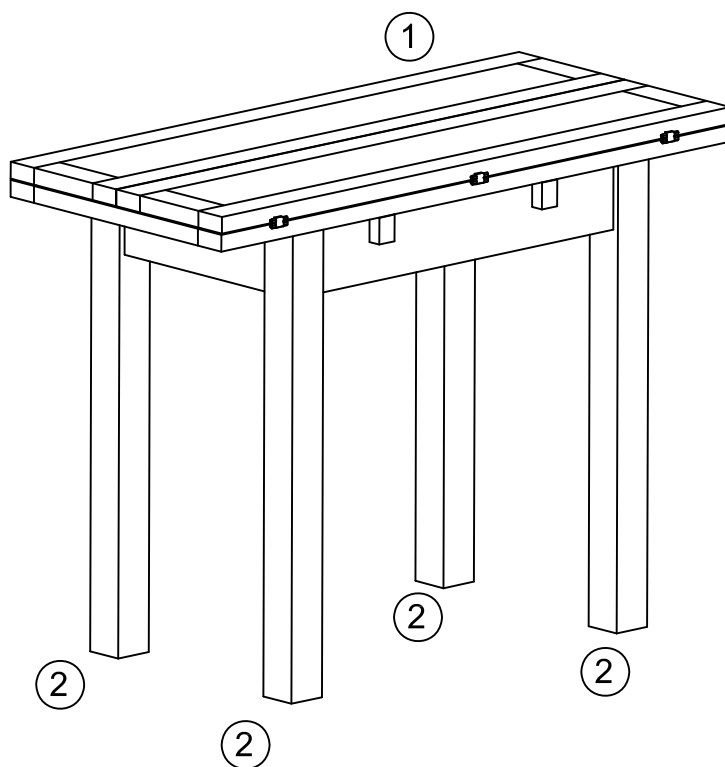
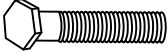


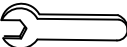


# Kenley







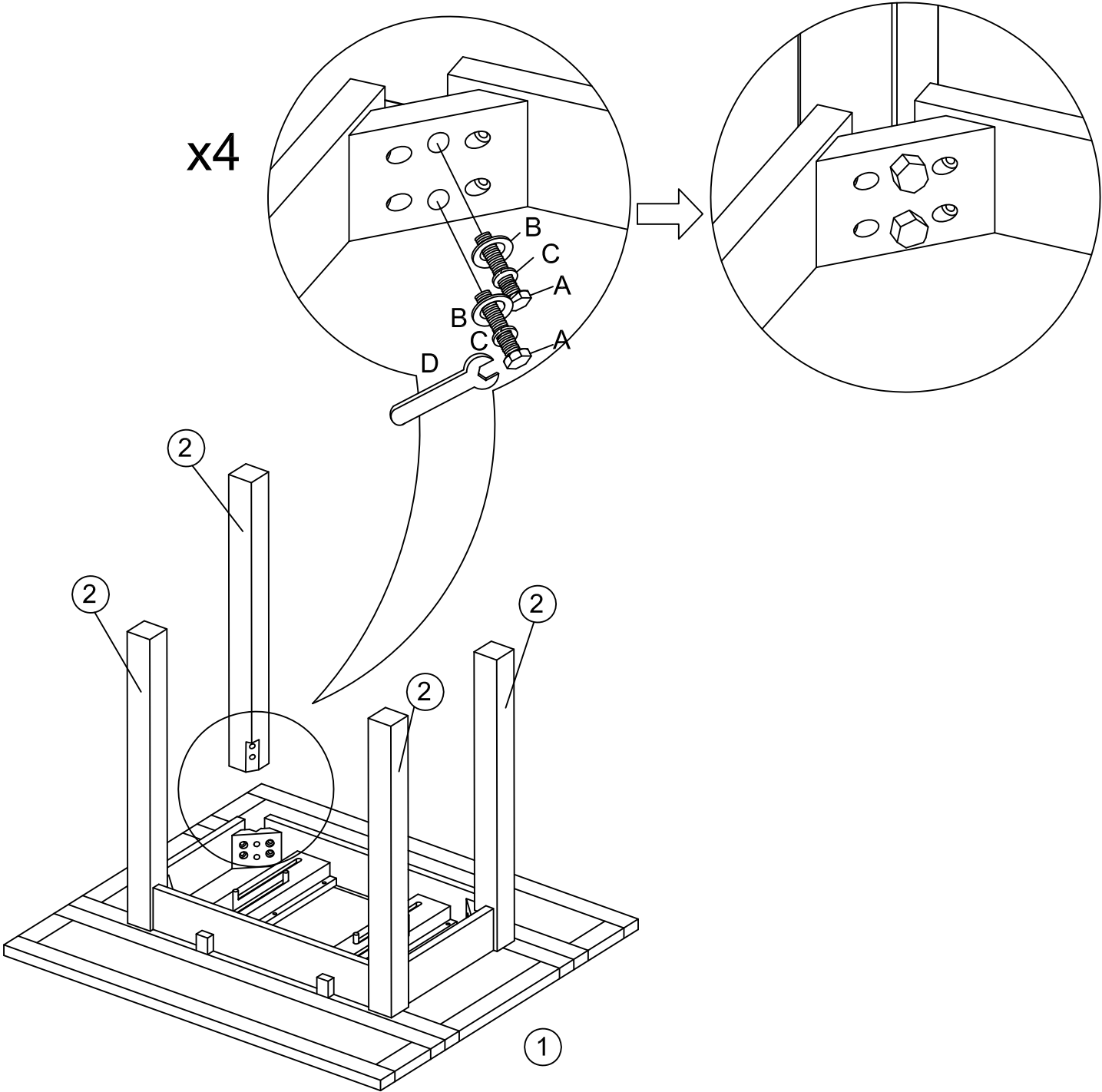
# Kenley



			
A x8 M8*65	B x8 Ø21/Ø8*2	C x8 Ø8*21	D x1

# Kenley

			
A x8	B x8	C x8	D x1



# Kenley

