

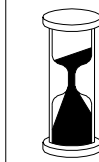
Jotex

ASSEMBLY INSTRUCTIONS

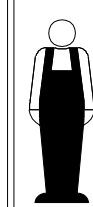
1536696 / CORNER

765 - CANAPÉ D'ANGLE

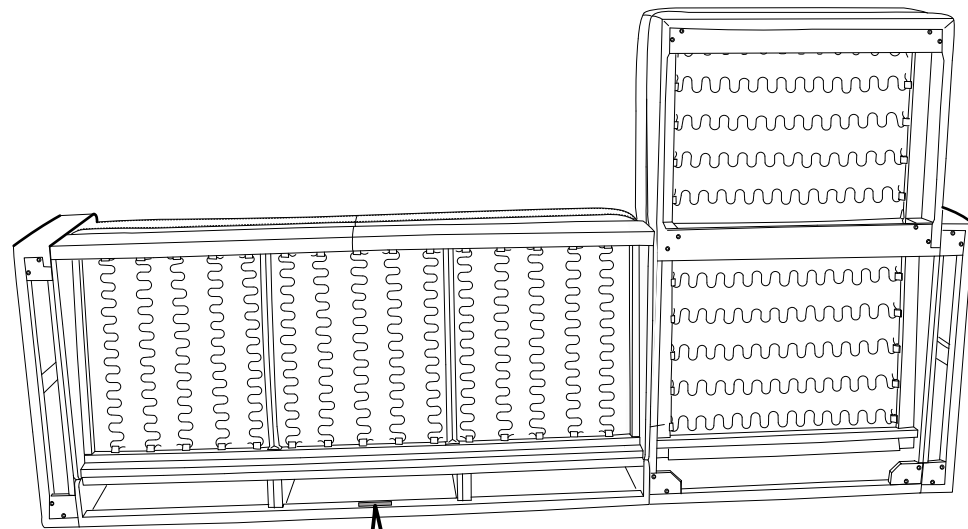
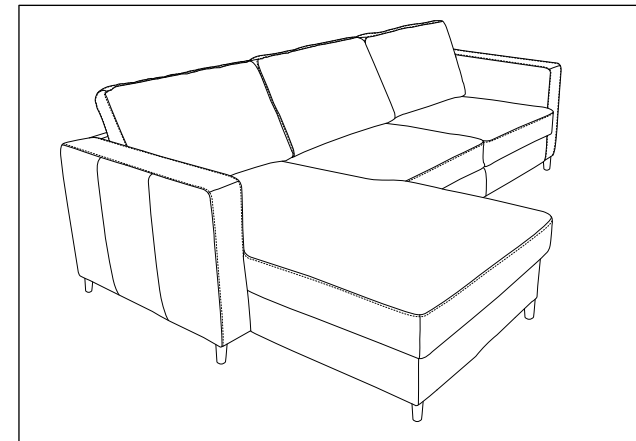
V01- 07/08/2018



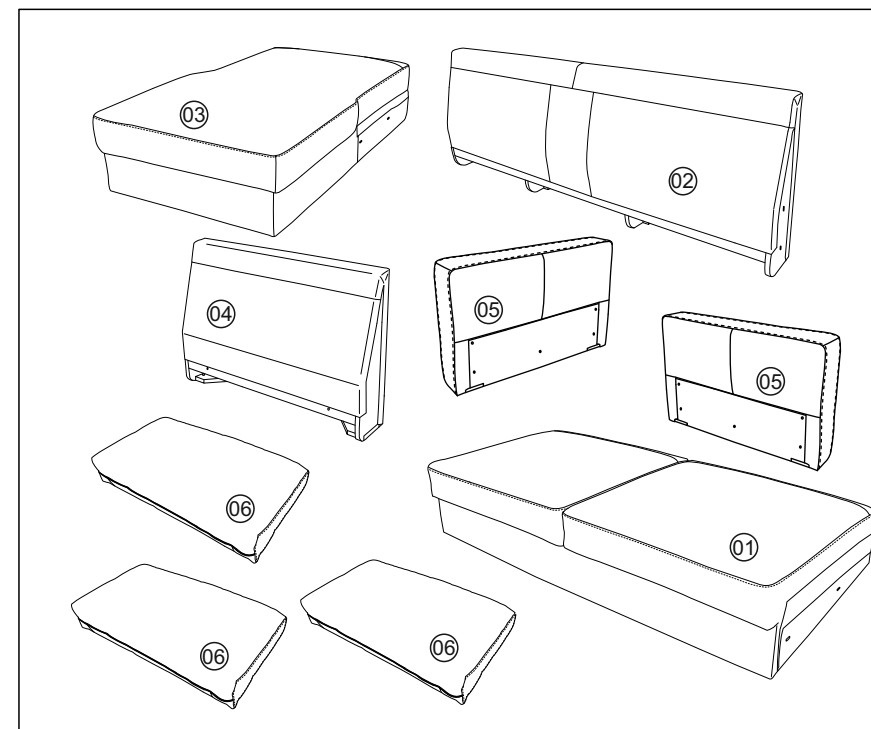
25 MIN



x2



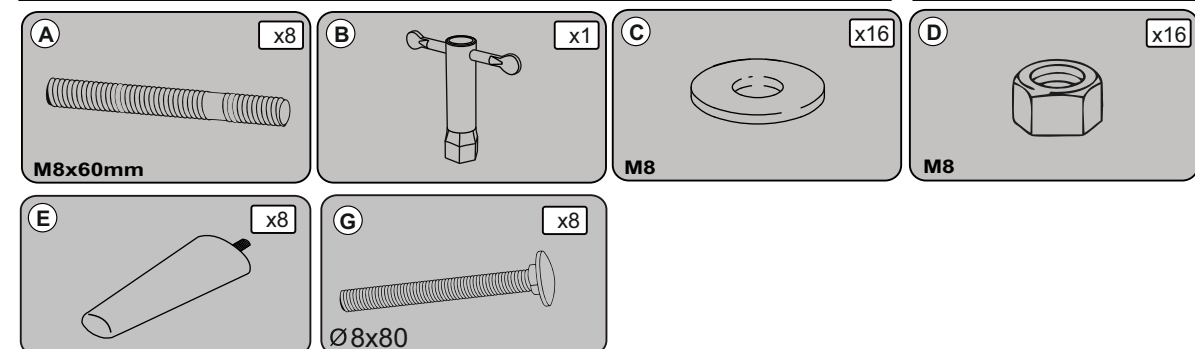
BEFORE STARTING, REFER TO THE ASSEMBLING ADVICE IN ANNEX



Etiqueta de Rastreabilidade	
Código cliente	
Nome artigo	
O.P	
ID (nºartigo/YYWW)	
Revestimento+Cor	
Nº colaborador Insp.Final	

ENGLISH

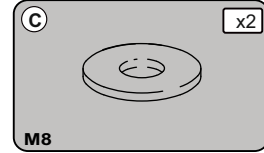
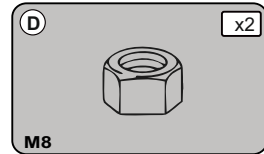
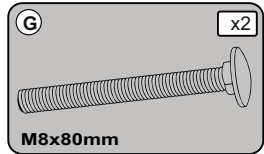
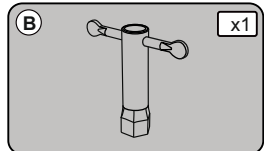
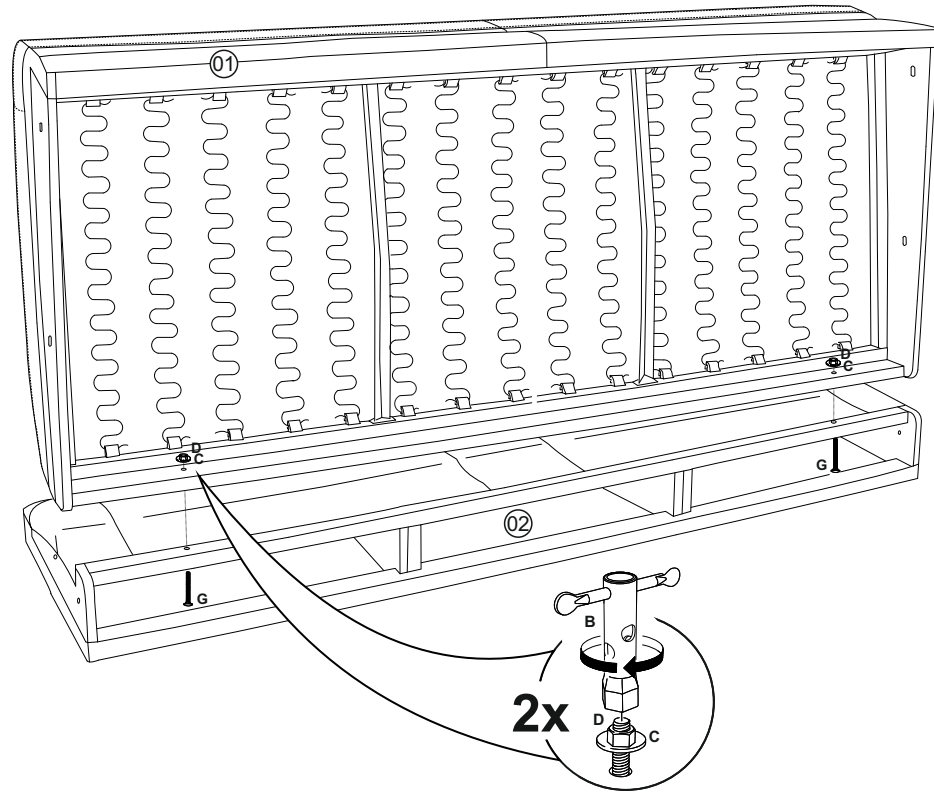
In case of claim, thank you to transmit the information of the label fixed on the article;



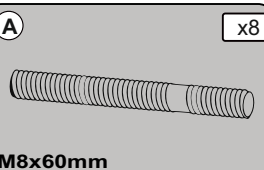
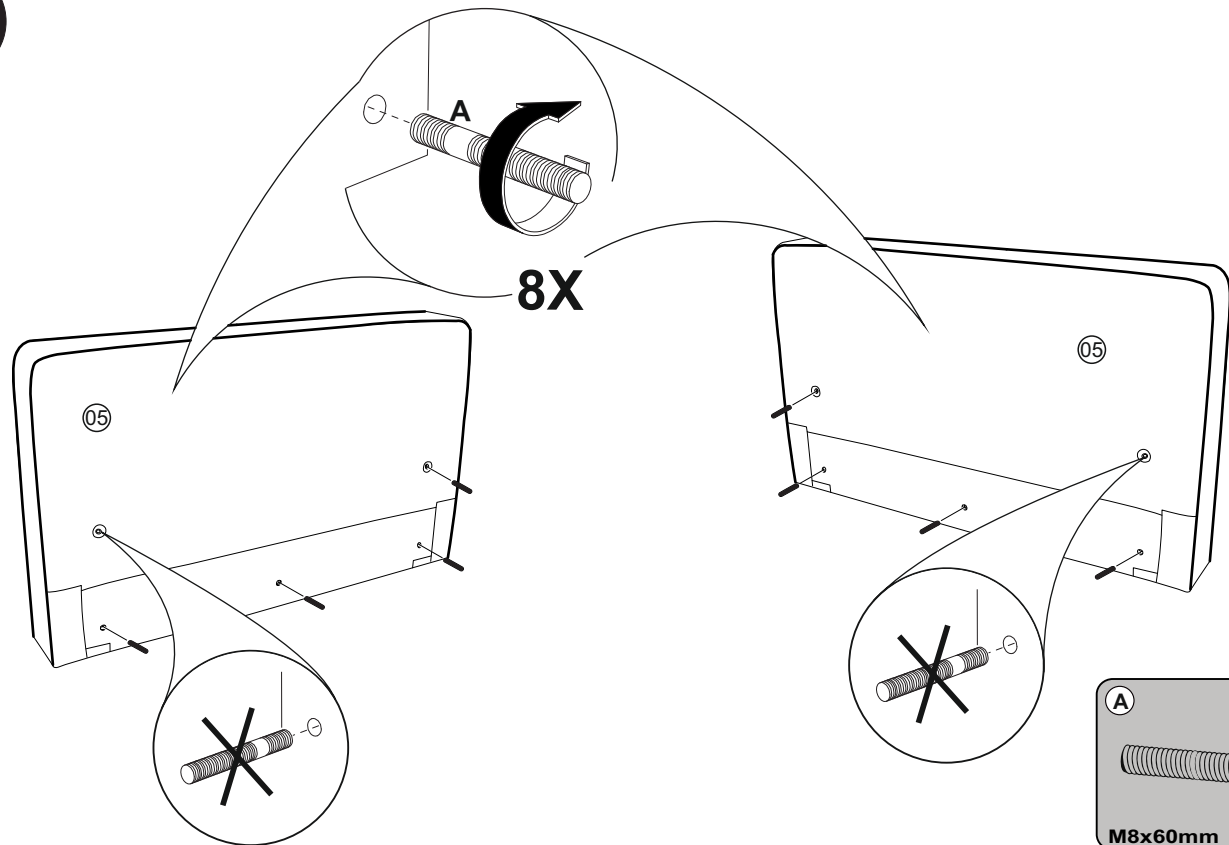
Jotex

ASSEMBLY INSTRUCTIONS
1536696 / CORNER

1



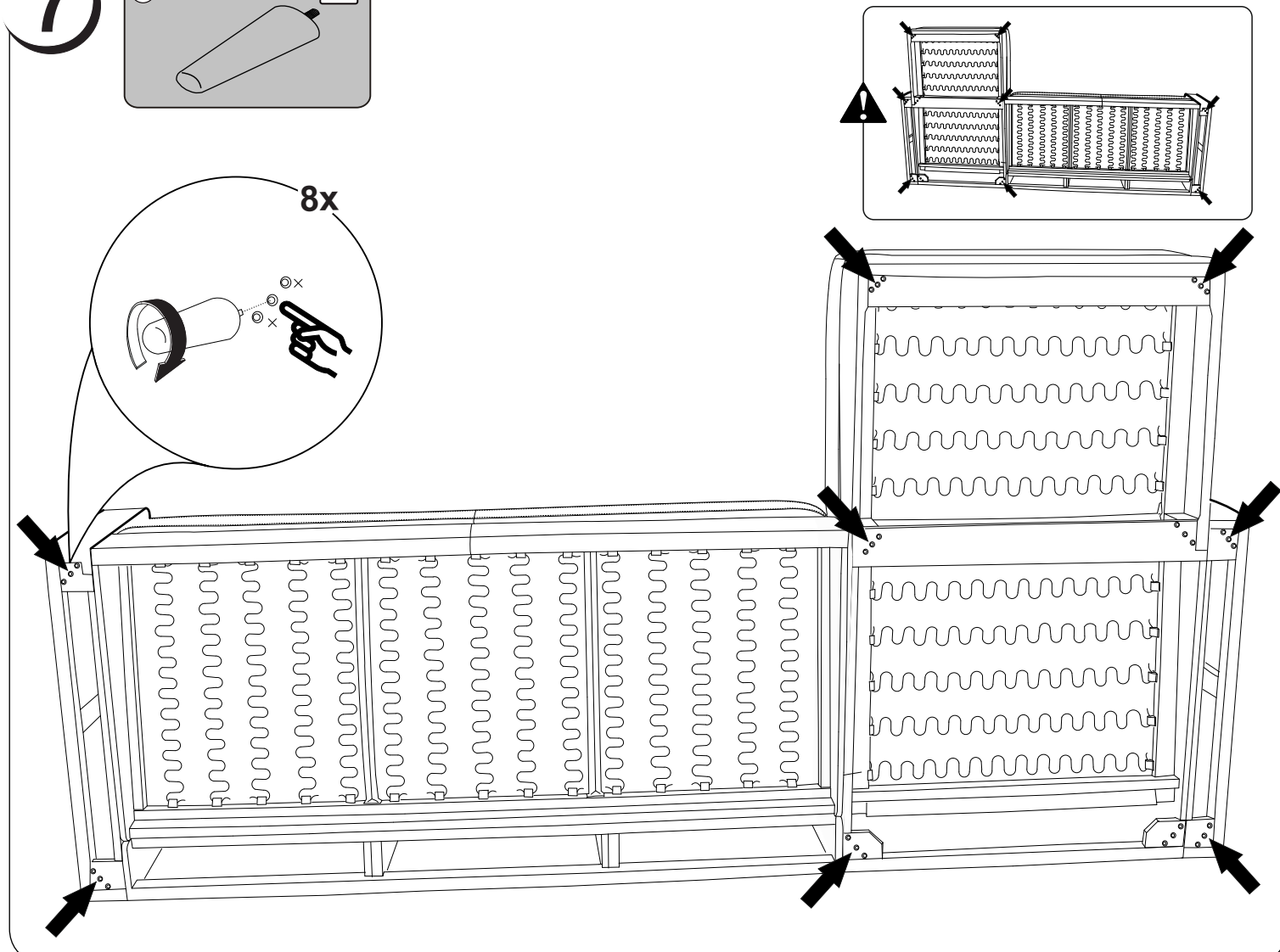
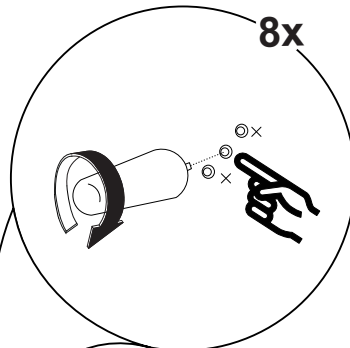
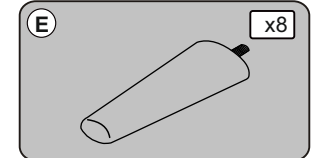
2



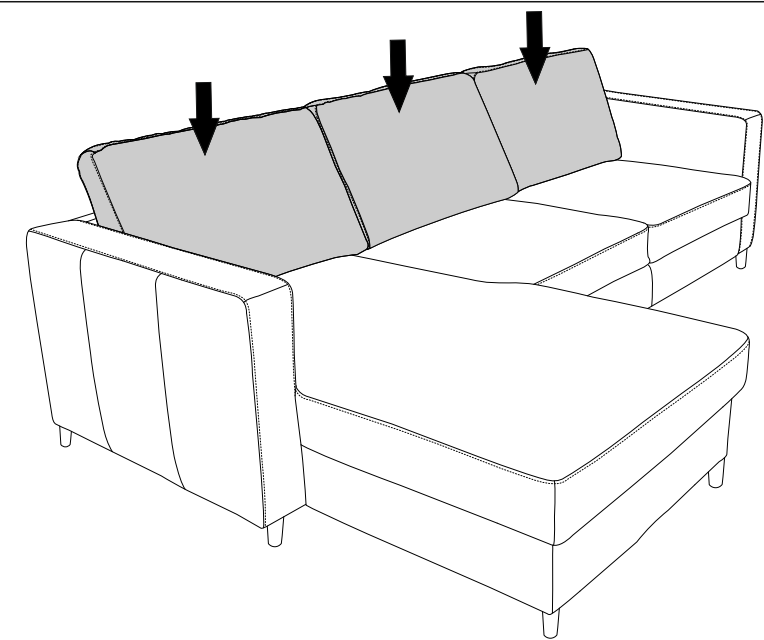
Jotex

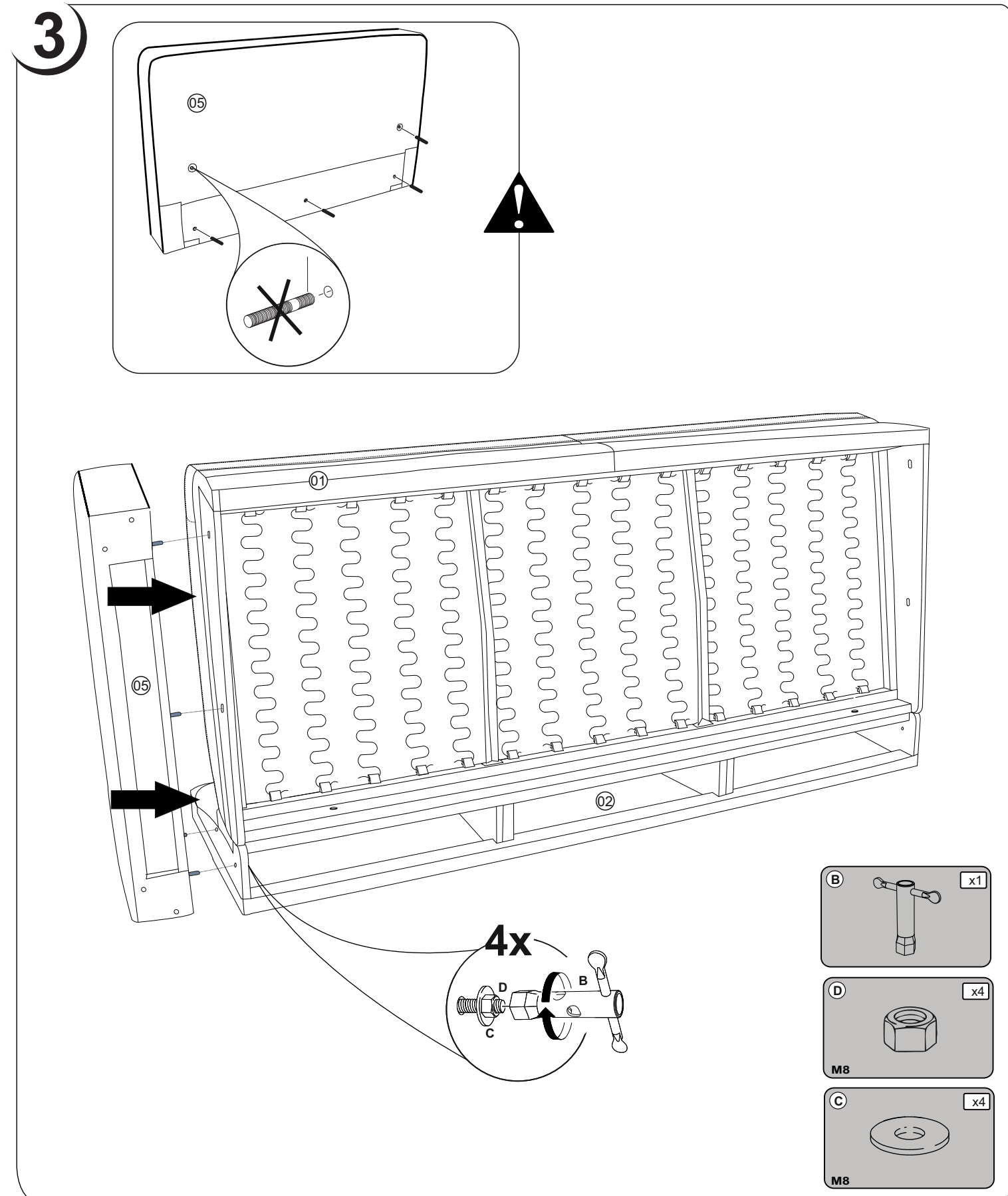
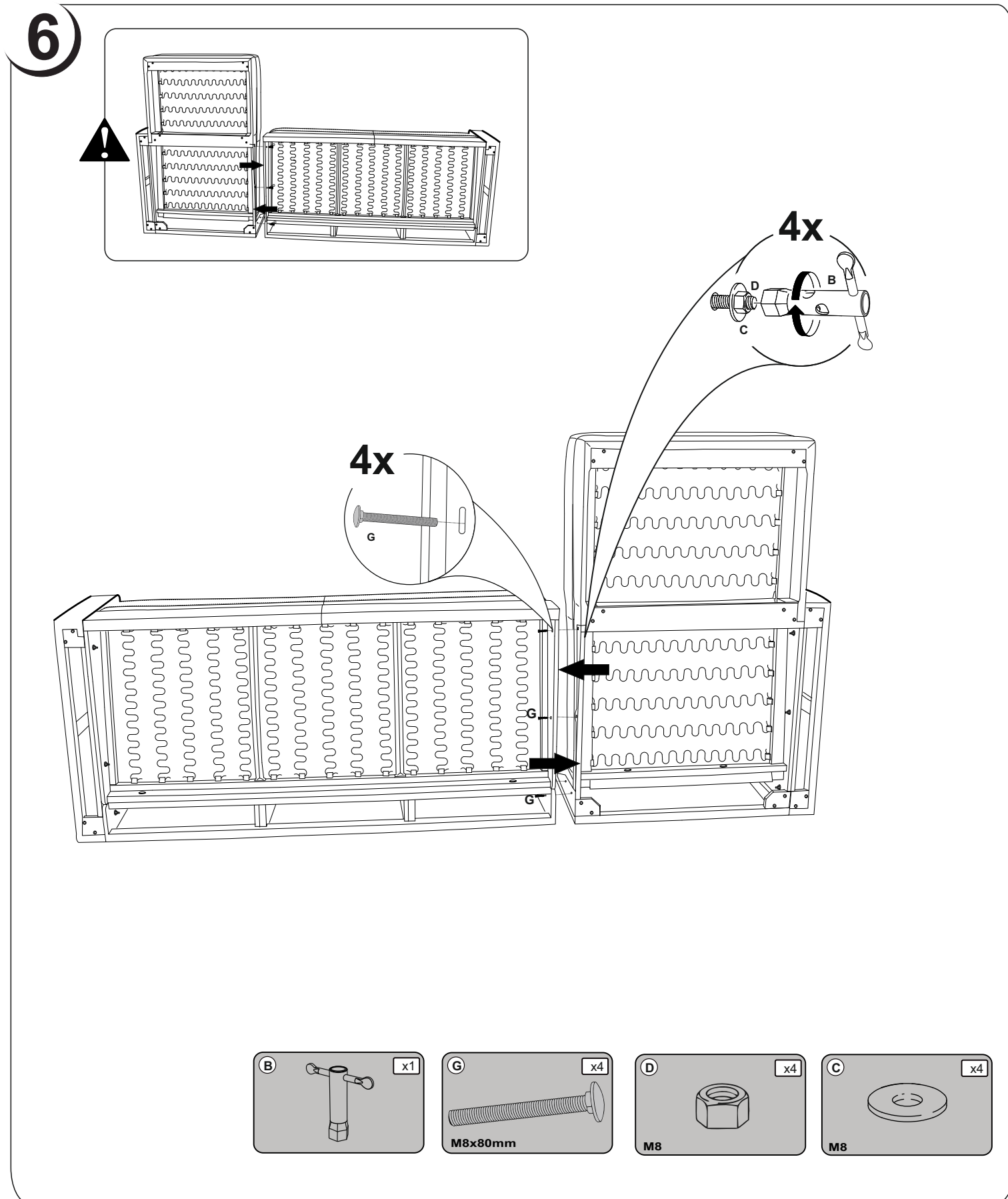
ASSEMBLY INSTRUCTIONS
1536696 / CORNER

7

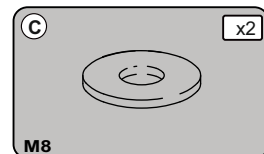
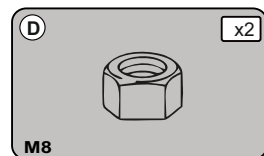
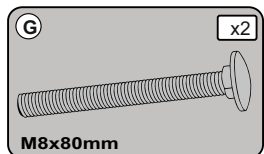
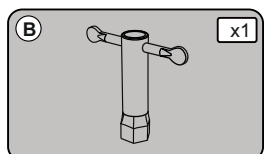
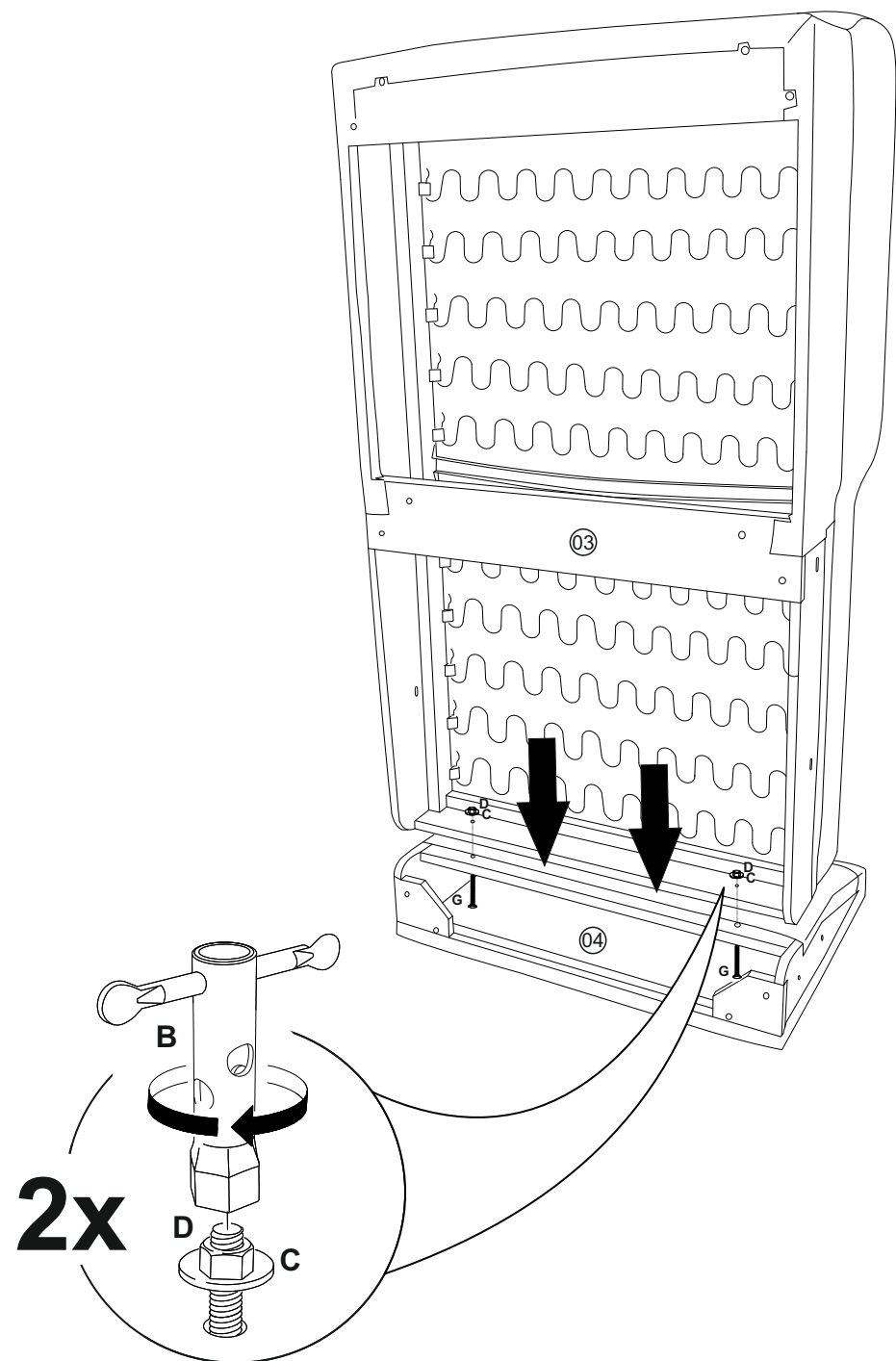


8





4



5

