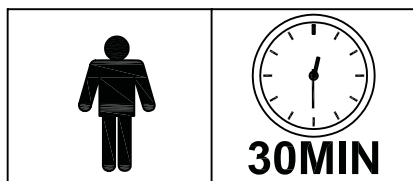
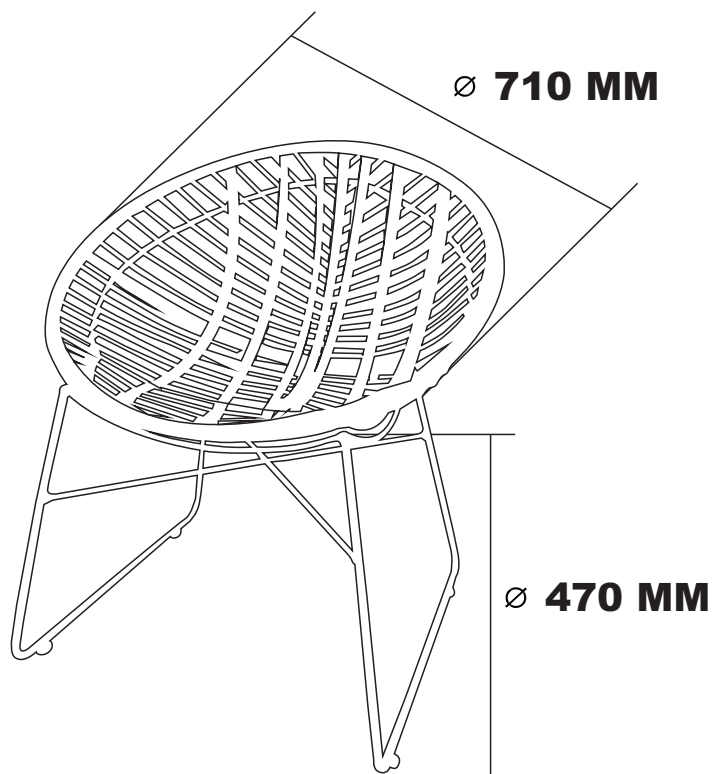
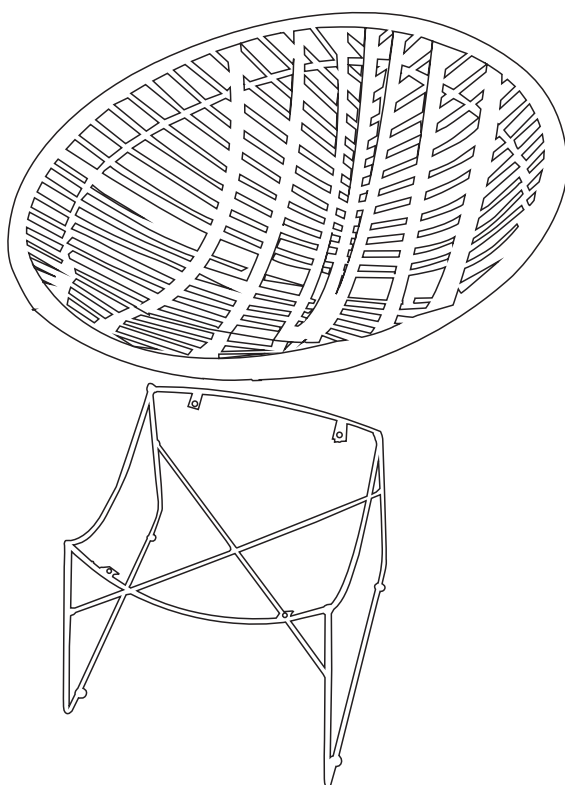


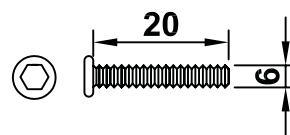
Assembly Instruction



1



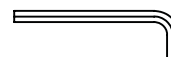
A X 4



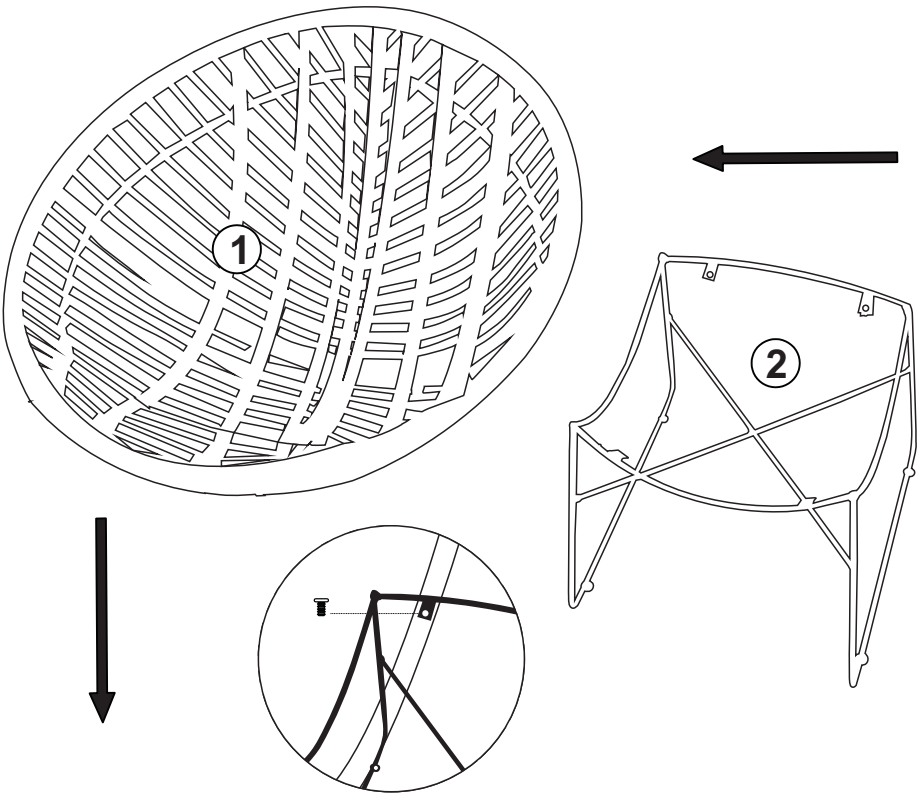
B X 4



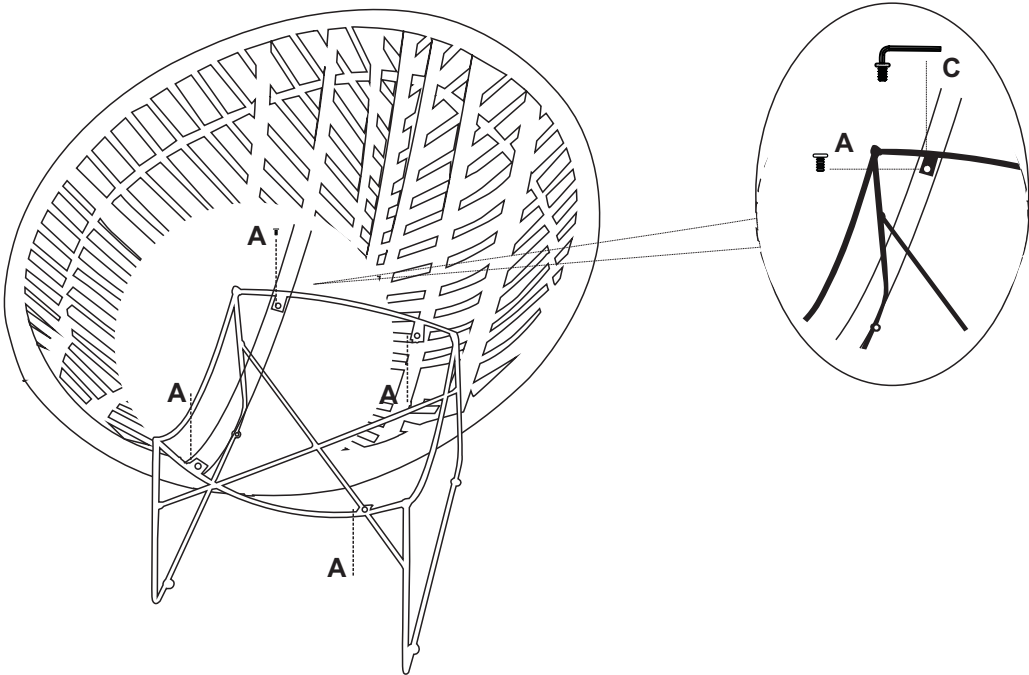
C X 1



2



3



4

AX4



BX4



CX1

