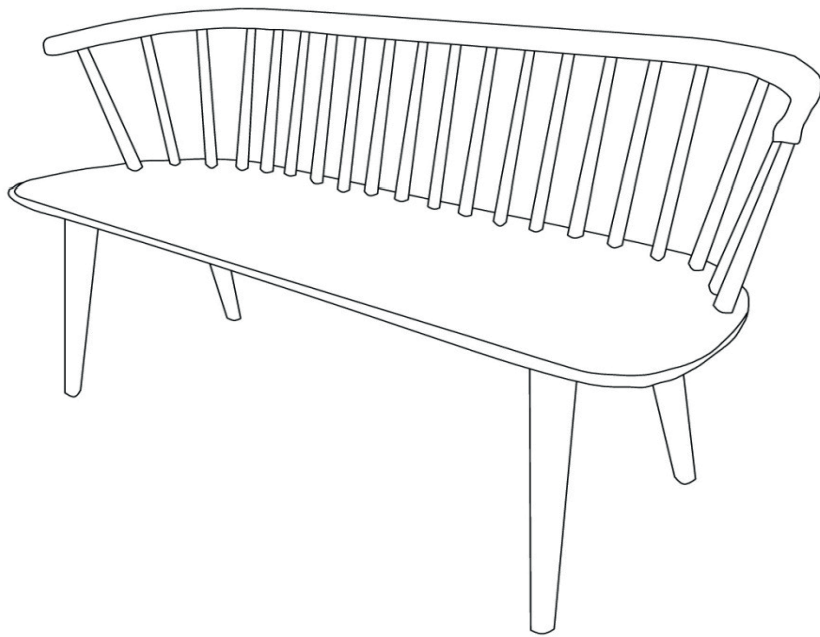
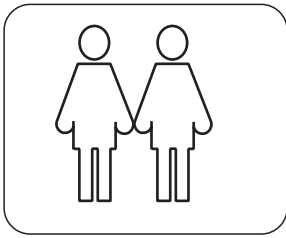


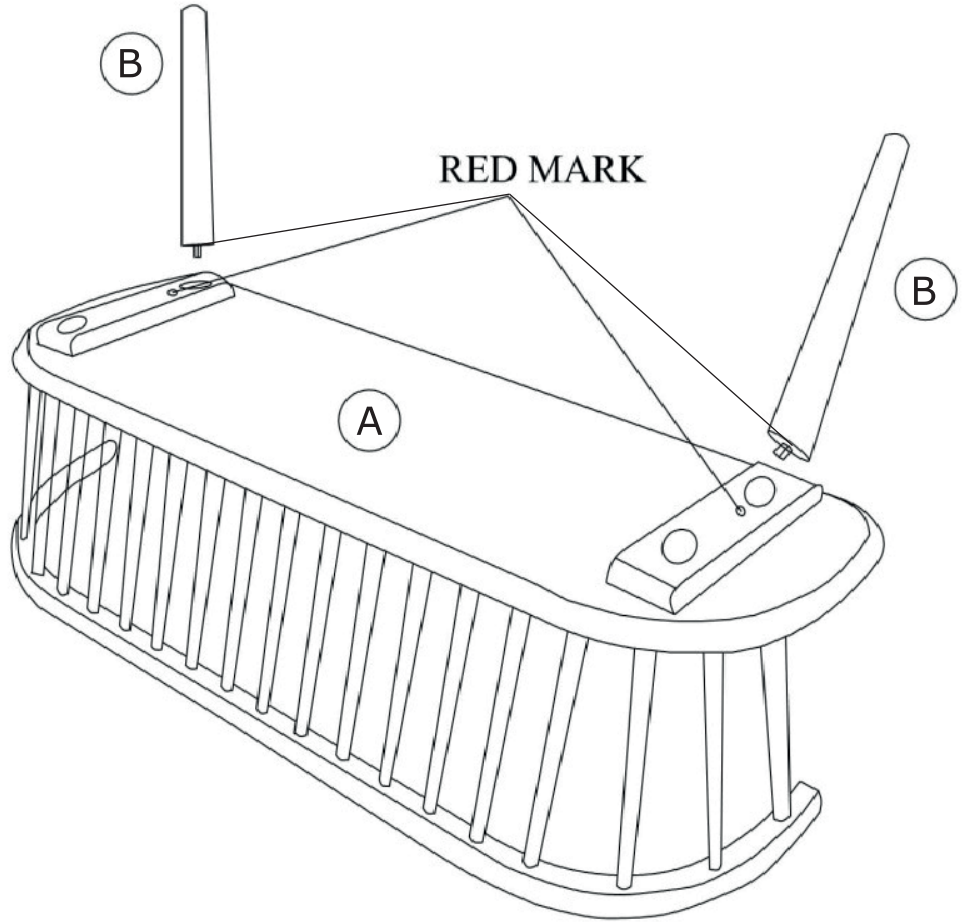
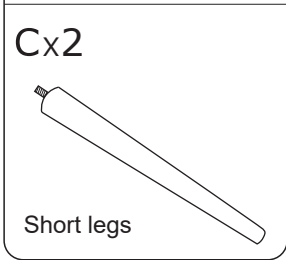
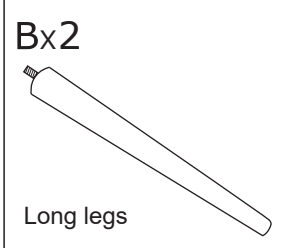
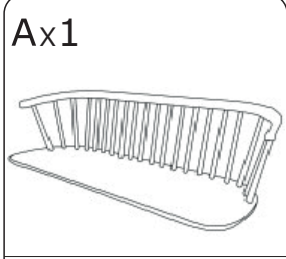
ASSEMBLY INSTRUCTION

JOLINA SOFA

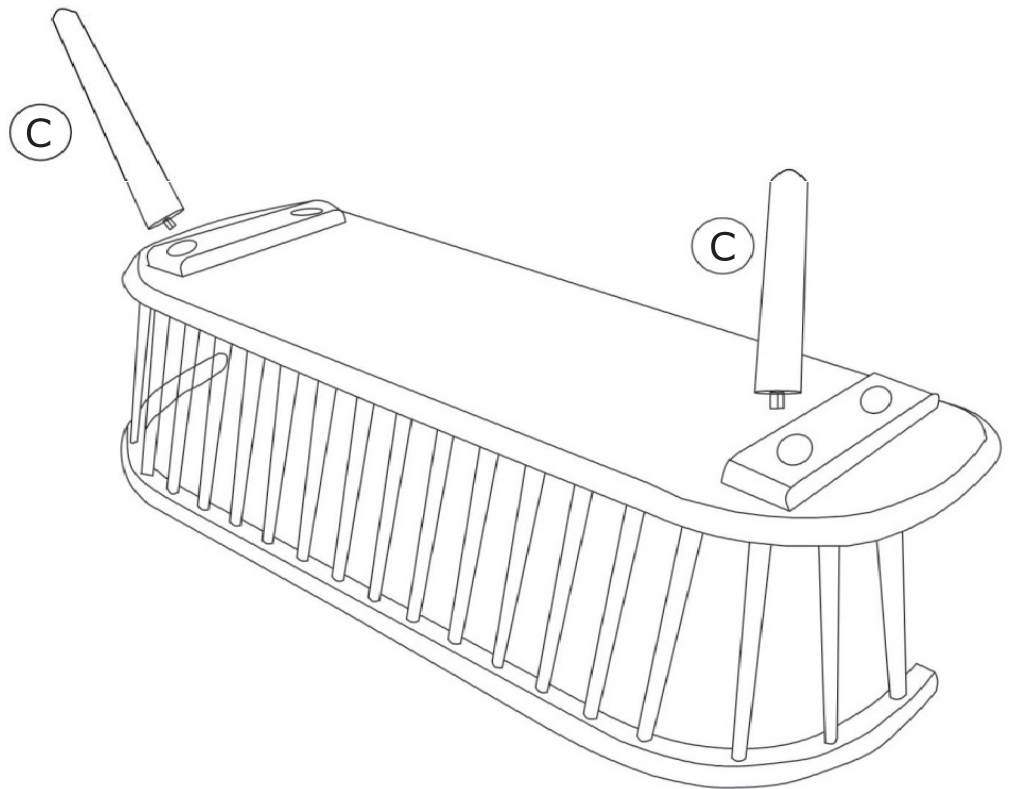




1



2



Legs must be retightened regularly or when needed