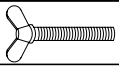


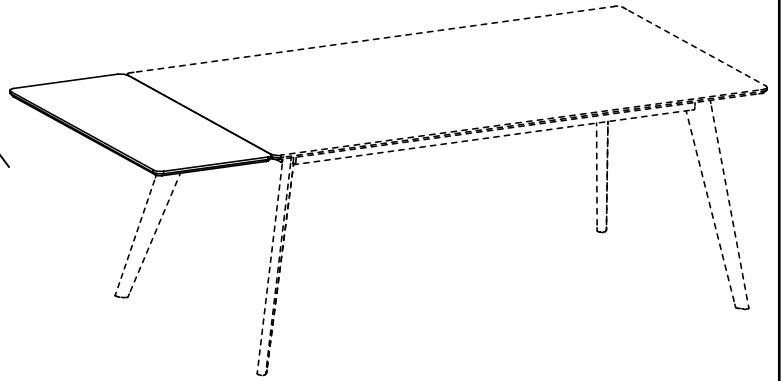
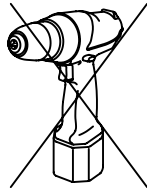


ASSEMBLY INSTRUCTIONS

MODEL: YUMI EXTENSION LEAF 45 X 90

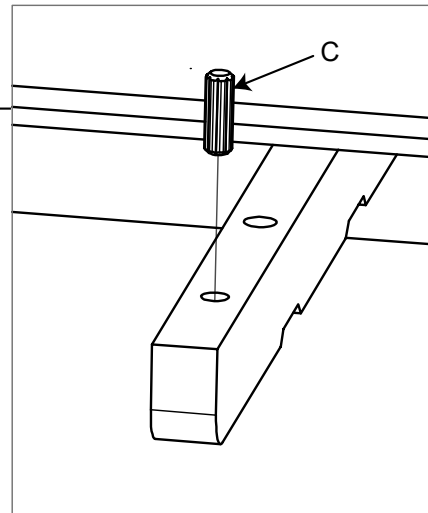
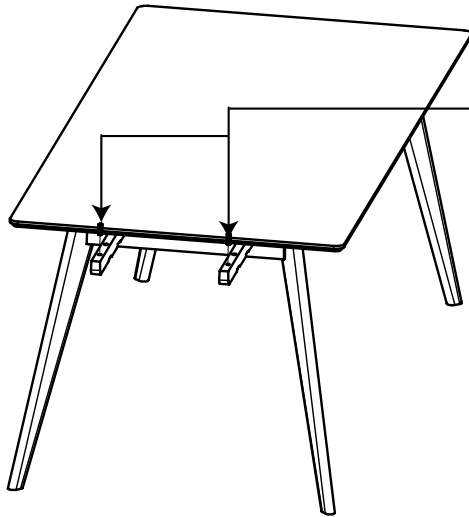
Before you begin, please read the assembly instruction carefully, then follow the instructions step by step.

| HARDWARE | | | |
|----------|--|-------|--|
| A | WING SCREW M6 X 50MM  | 4 PCS | |
| B | FLAT WASHER 5/16"  | 4 PCS | |
| C | DOWEL 10X30  | 2 PCS | |

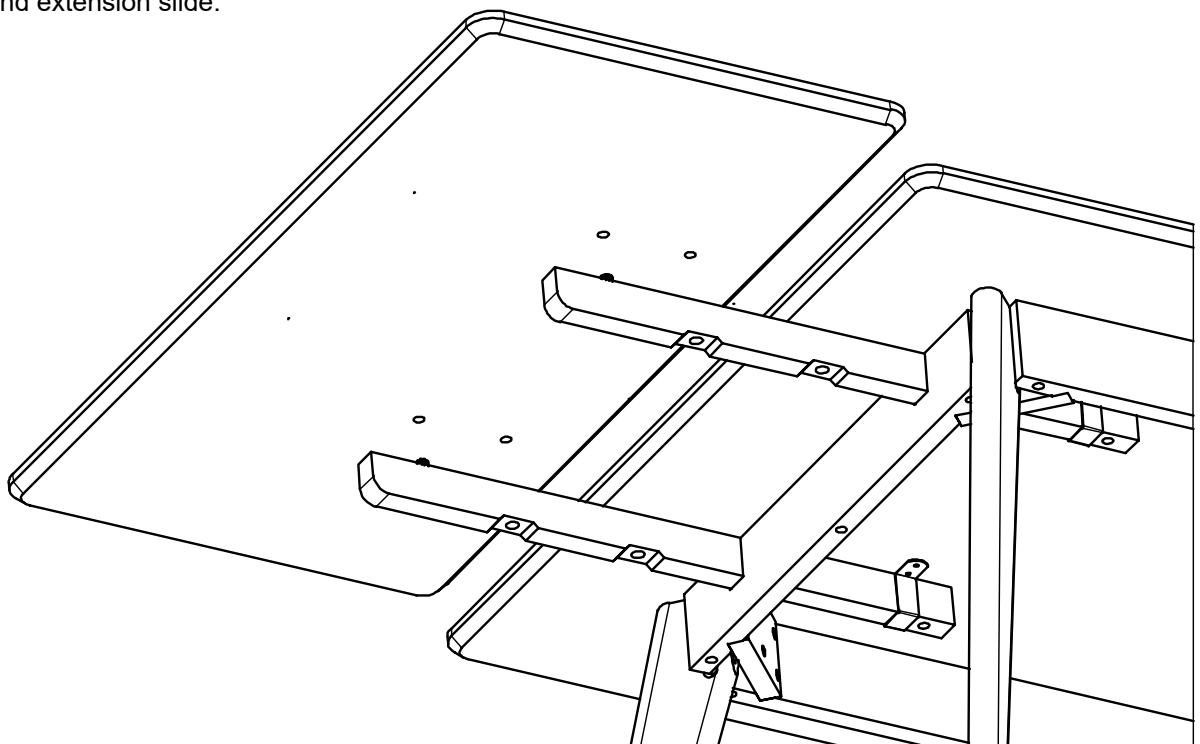


| PART LIST | | |
|-----------|------------|------|
| 1 | LEAF PANEL | 1 PC |

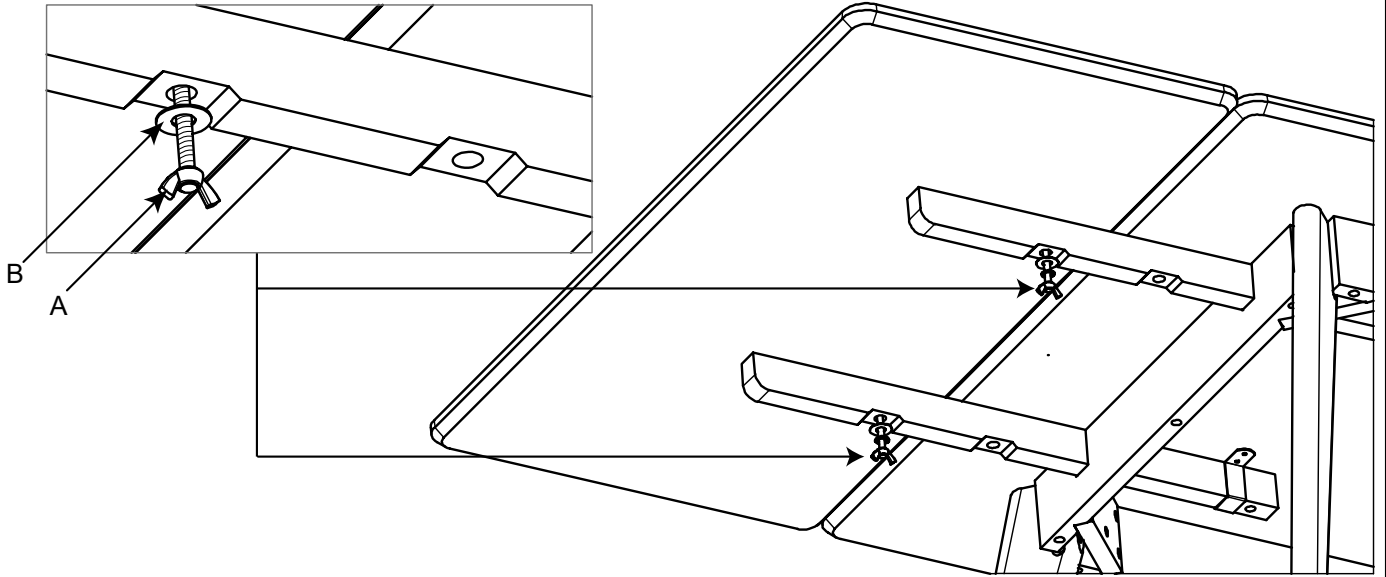
STEP 1: Please pull out Extension slide on main table unit from bottom, then insert dowel as shown below.



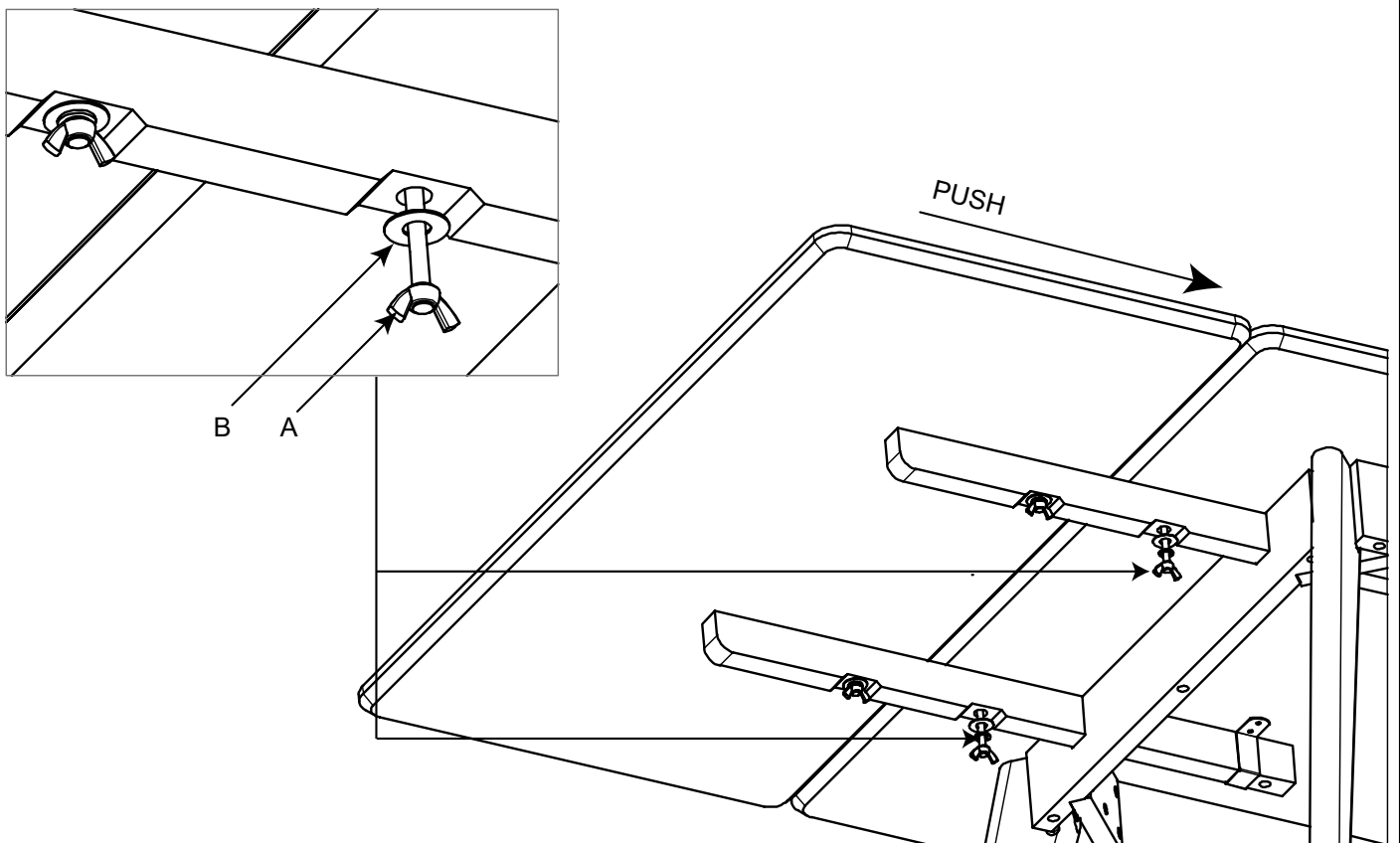
STEP 2: Carefully align holes on leaf panel with dowel as shown below. Please ensure that dowel fully attached on leaf panel and extension slide.



STEP 3: Please tighten the wing screw (using hand) on leaf panel first.



STEP 4: Insert the wing screw on Table side, but before tighten it, push the leaf panel until no gap visible between leaf and top panel, then please ensure all wing screw fully tightened.



NOTE: Please use the same step to attach other Leaf panel on the other side (if required).