


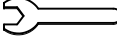
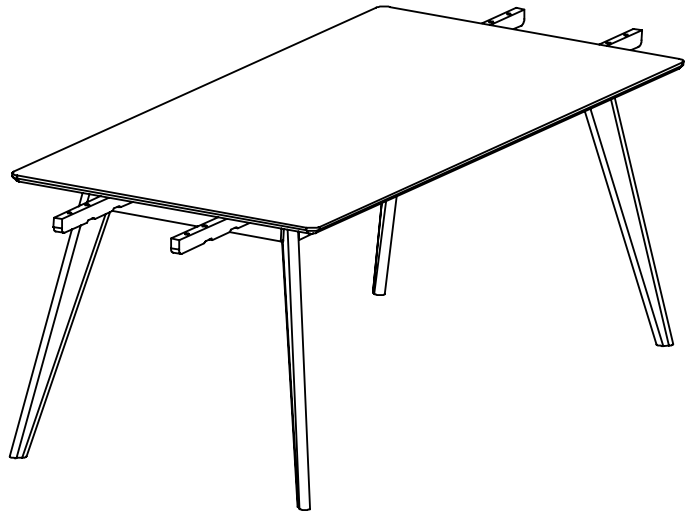
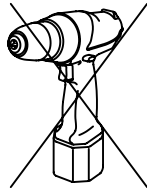


ASSEMBLY INSTRUCTIONS

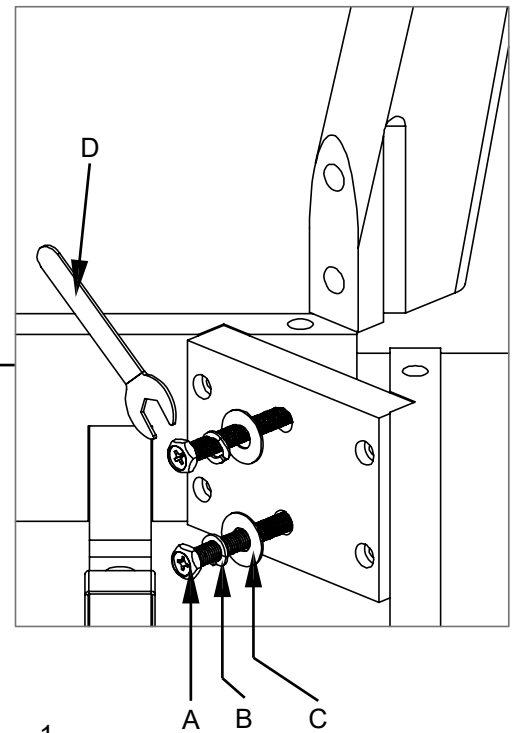
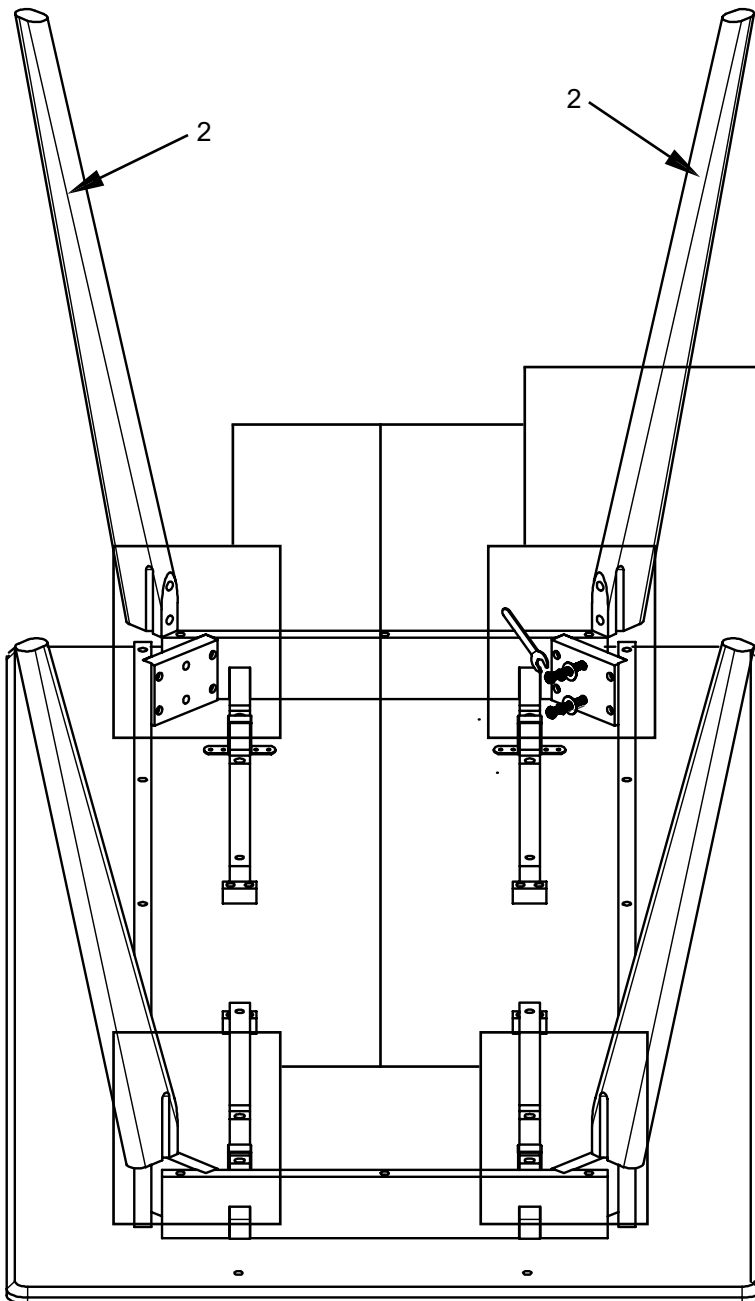
MODEL: YUMI RECT EXT. TABLE 190X 90

Before you begin, please read the assembly instruction carefully, then follow the instructions step by step.

HARDWARE			
A	HEX COMB 5/16 X 2 1/2"		8 PCS
B	SPRING WASHER 5/16"		8 PCS
C	FLAT WASHER 5/16"		8 PCS
D	SPANNER		1 PC



PART LIST		
1	TOP PANEL	1 PC
2	TABLE LEGS	4 PCS



STEP 1:
Please carefully place the top panel on a clean surface.

STEP 2:
Align properly grooving on leg with end corner of aprons, slot in all the way down.

STEP 3:
Use provided hardware to tighten the legs with corner block as shown in figure above.