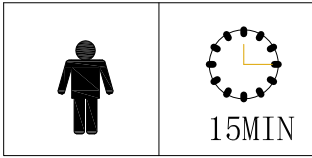
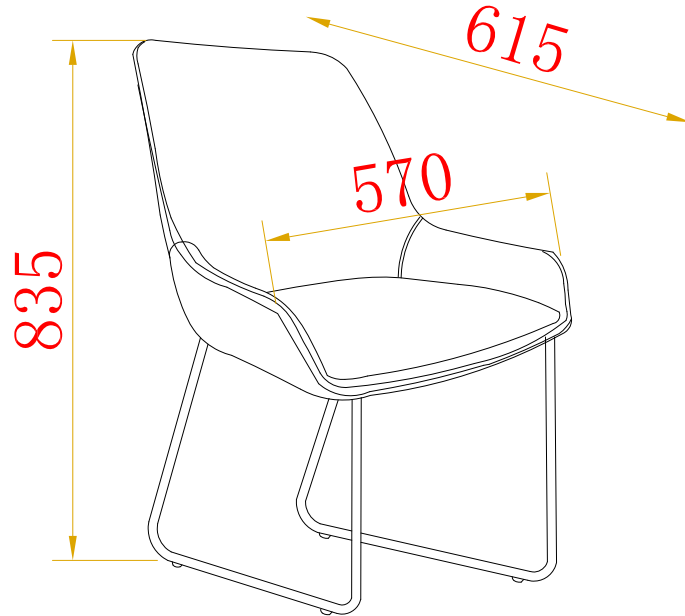
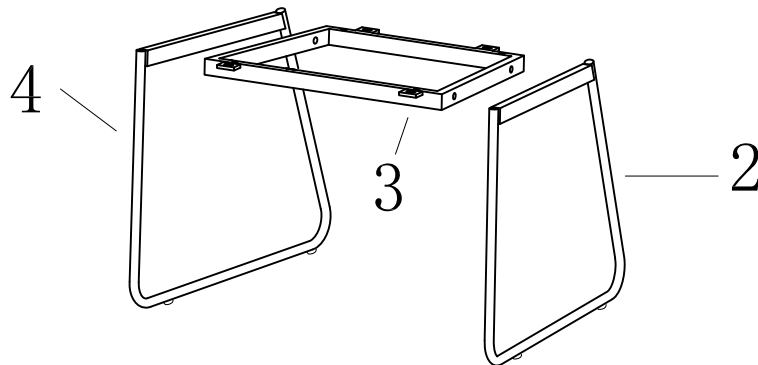
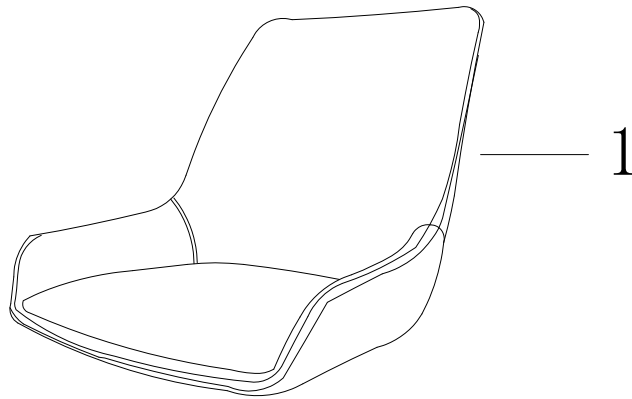


# Assembly Instruction



1



Ax6  

Bx10 


Cx1 

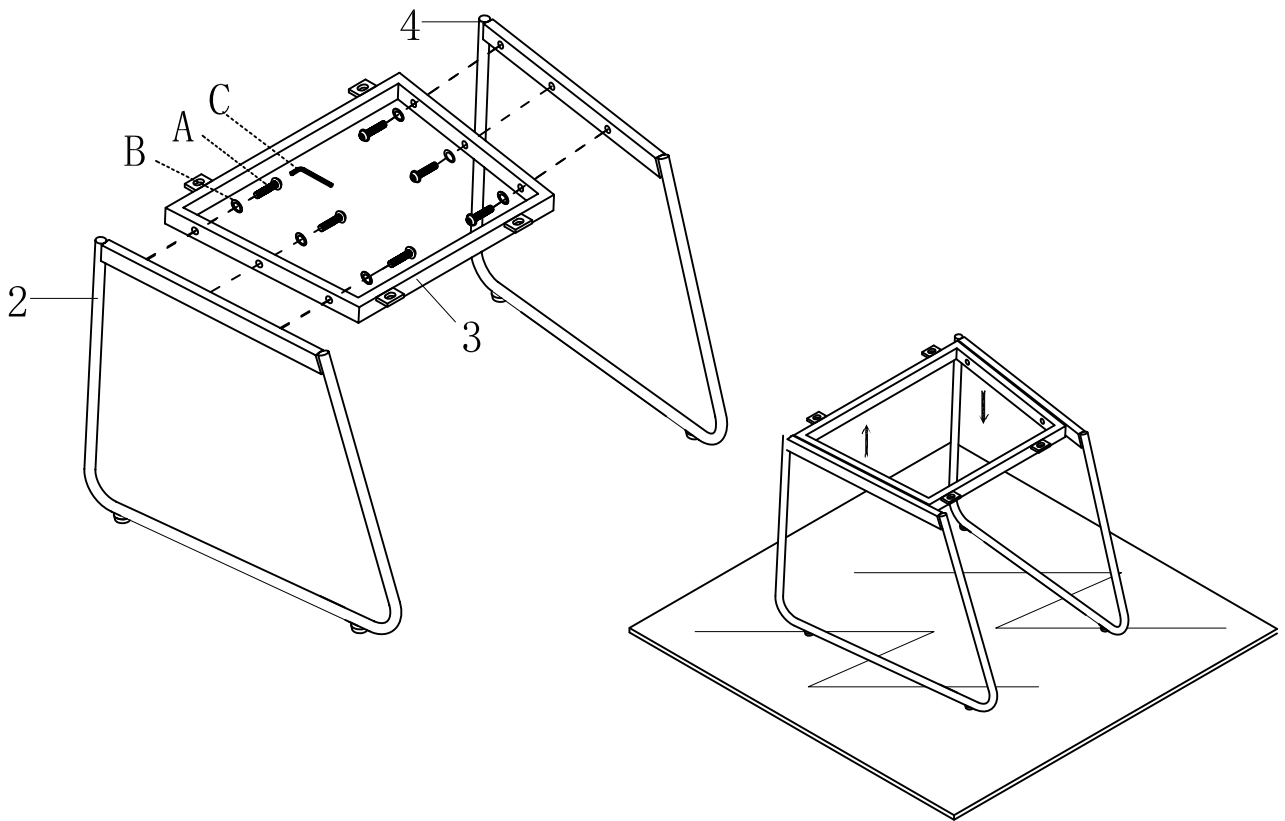
D\*4  

2

Ax6 

Bx6 


Cx1 



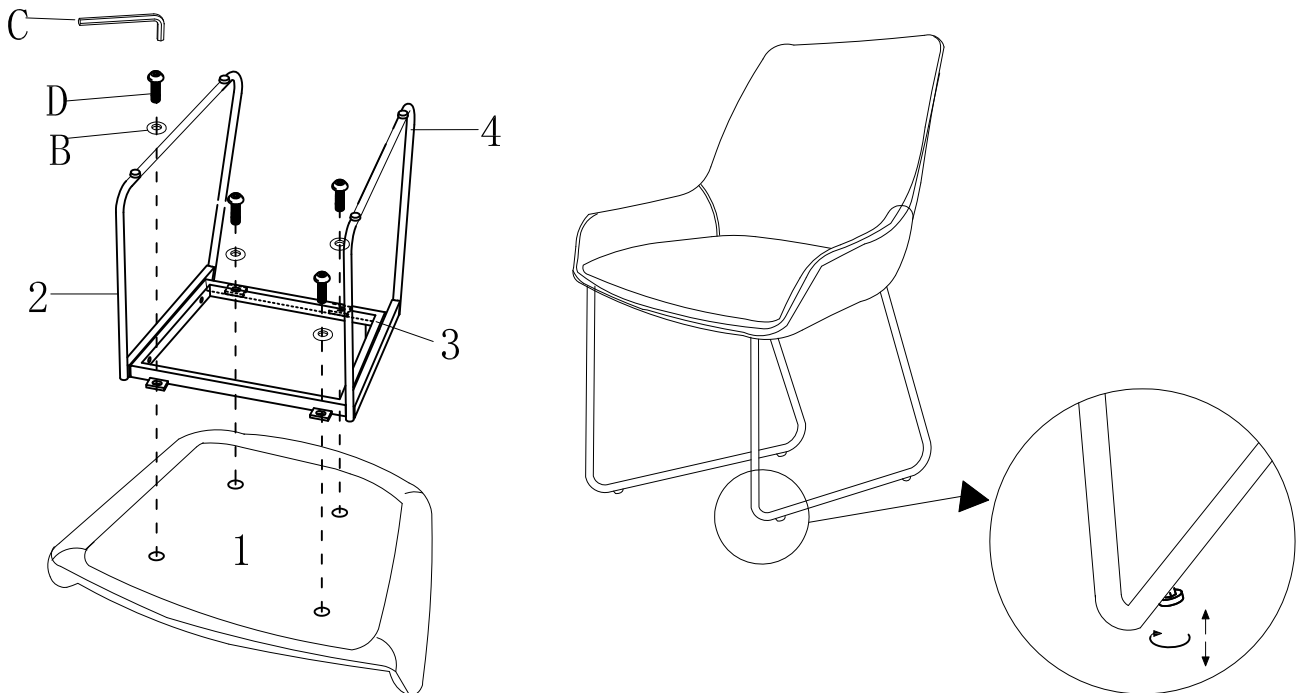
Ajust the foot to the horizon line

3

Bx4 

Cx1 

Dx4 



adjust the adjustable leg to the same level