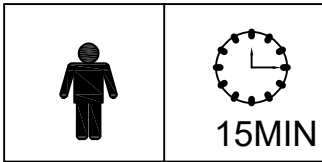
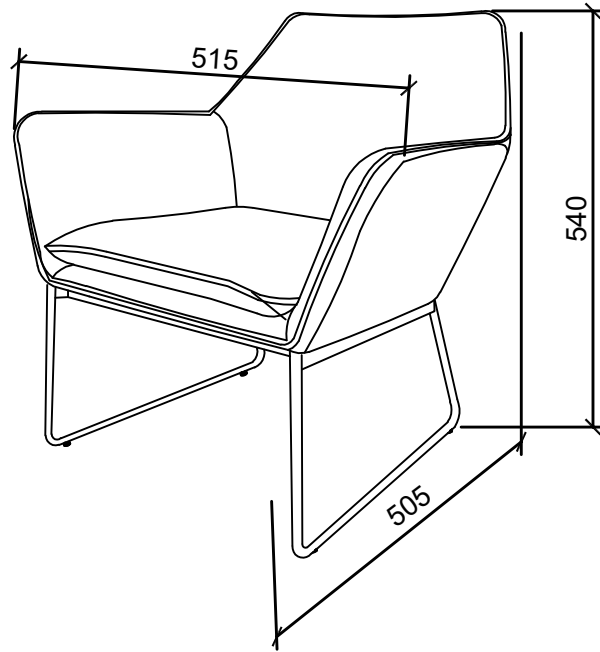
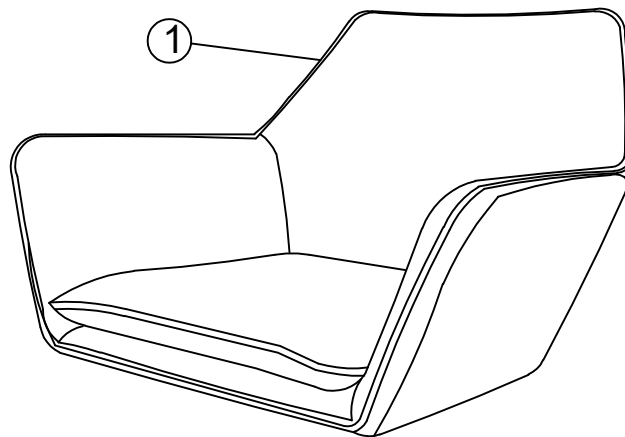


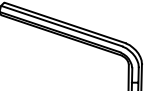
Assembly Instruction



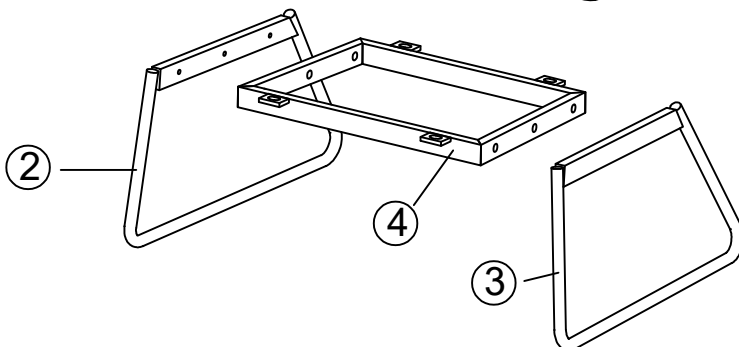
1



Ax10 

Bx1 

Cx10 



2

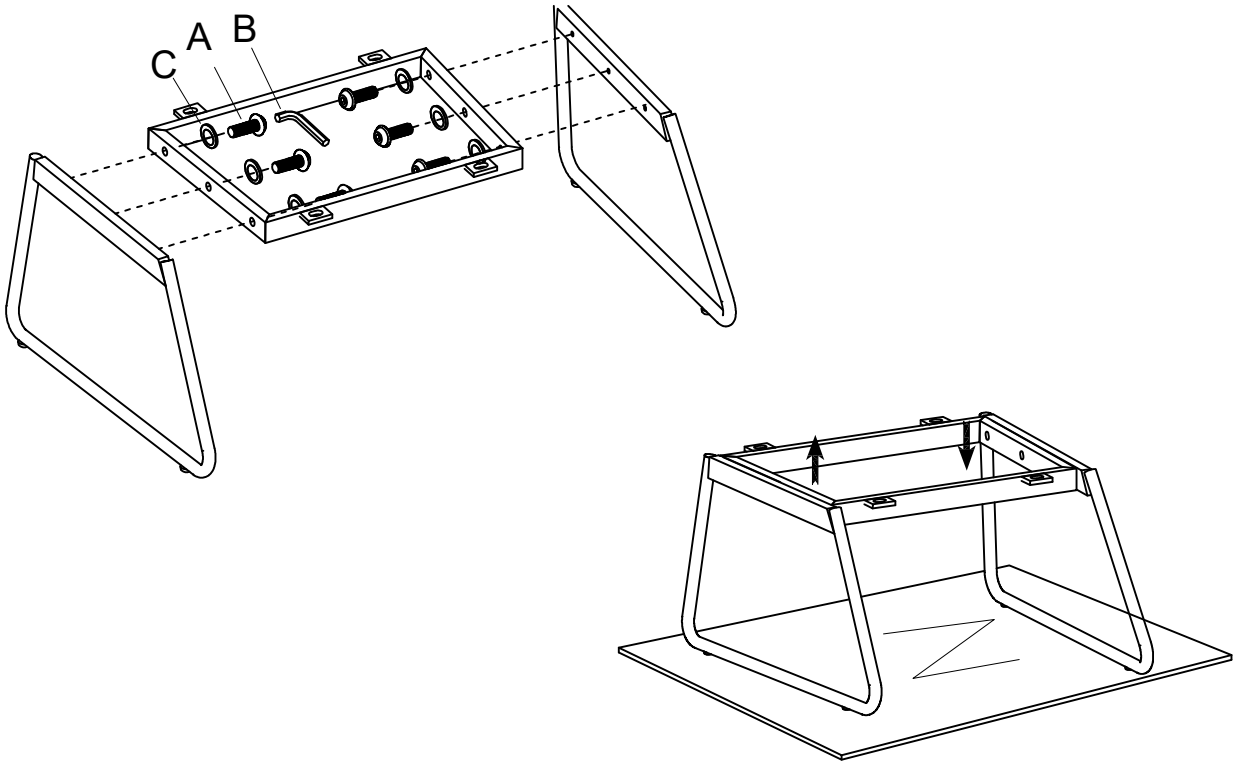
Ax6



Bx1



Cx6



3

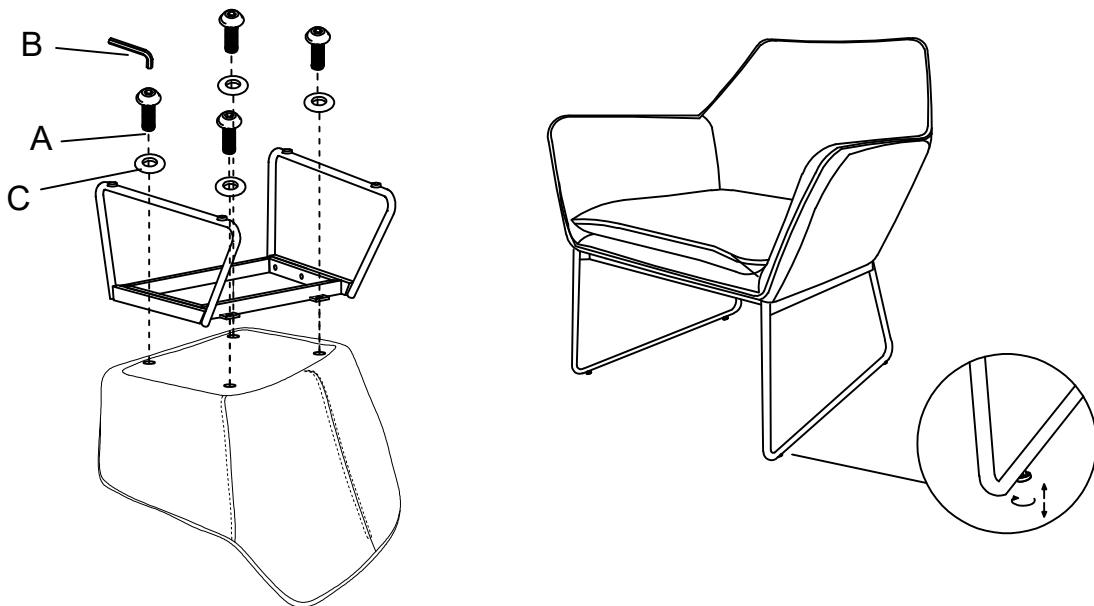
Ax4



Bx1



Cx4



adjust the adjustable leg to the same level