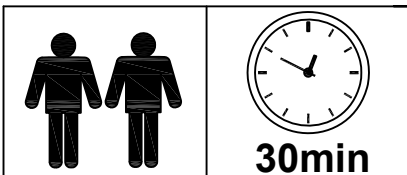
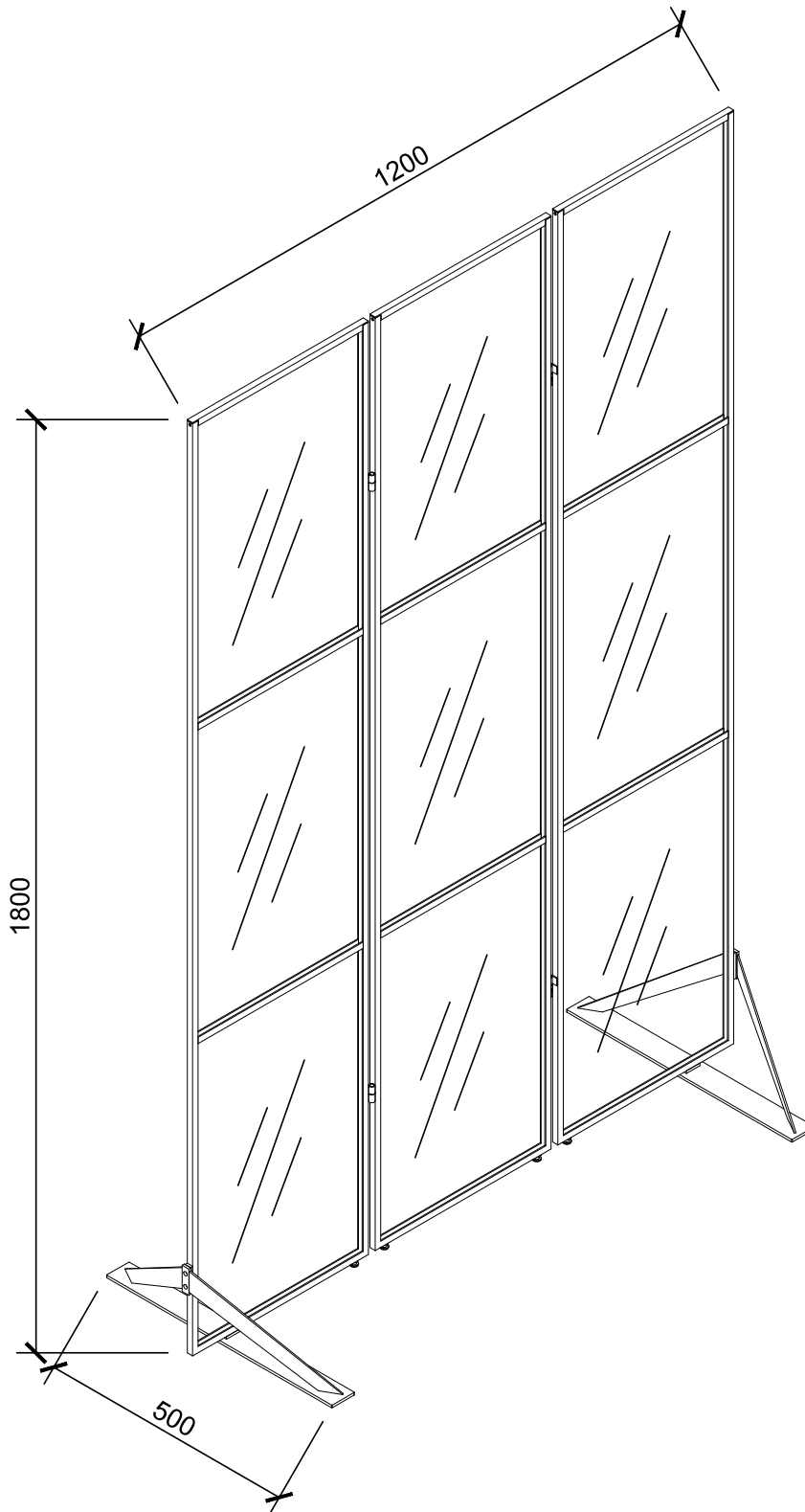
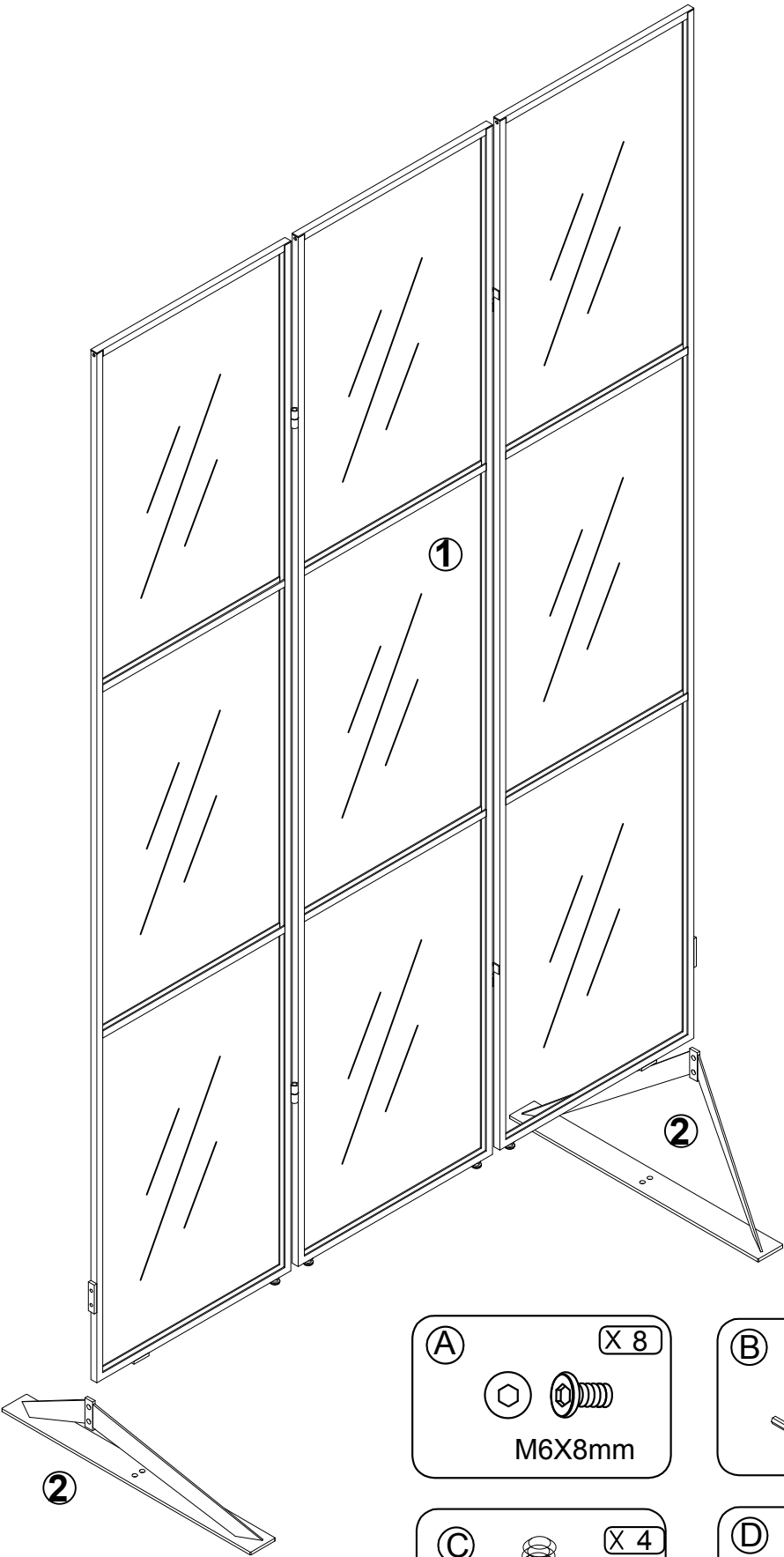
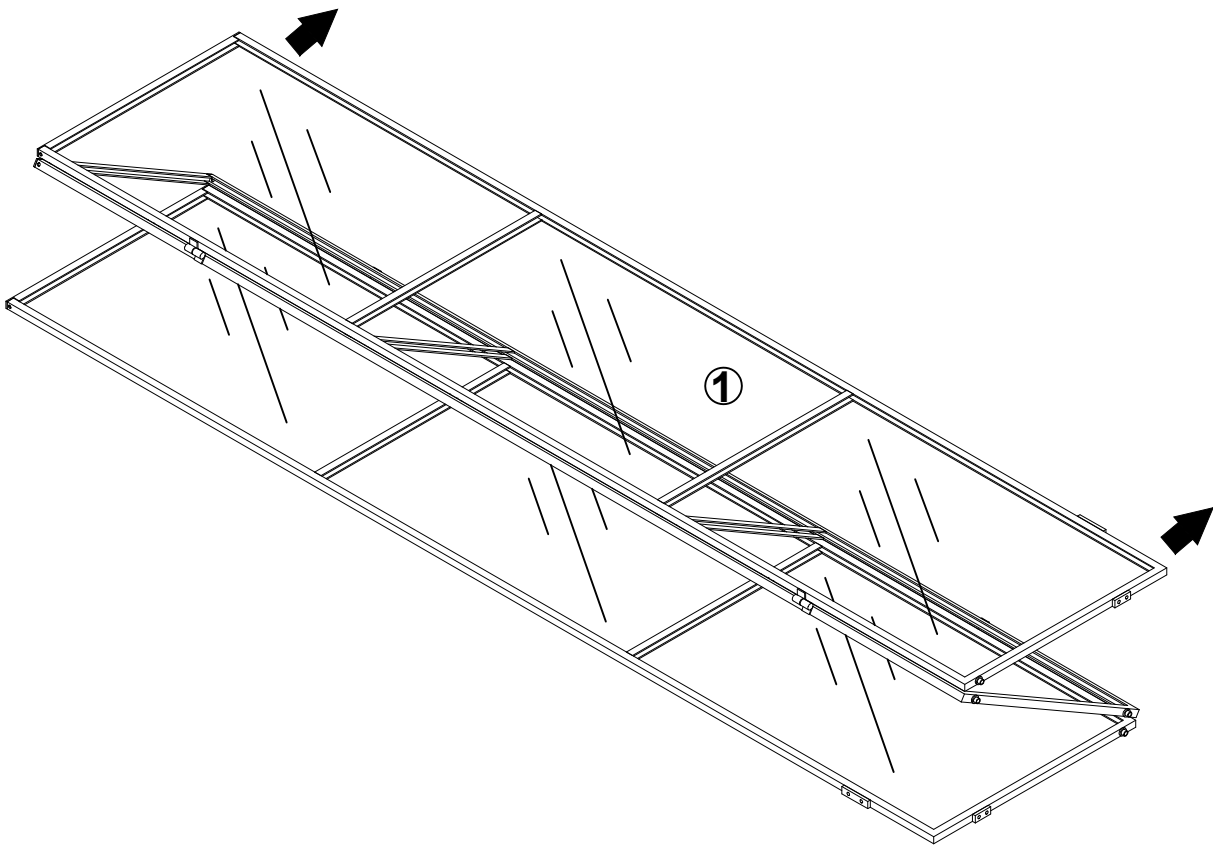


# Assembly Instruction

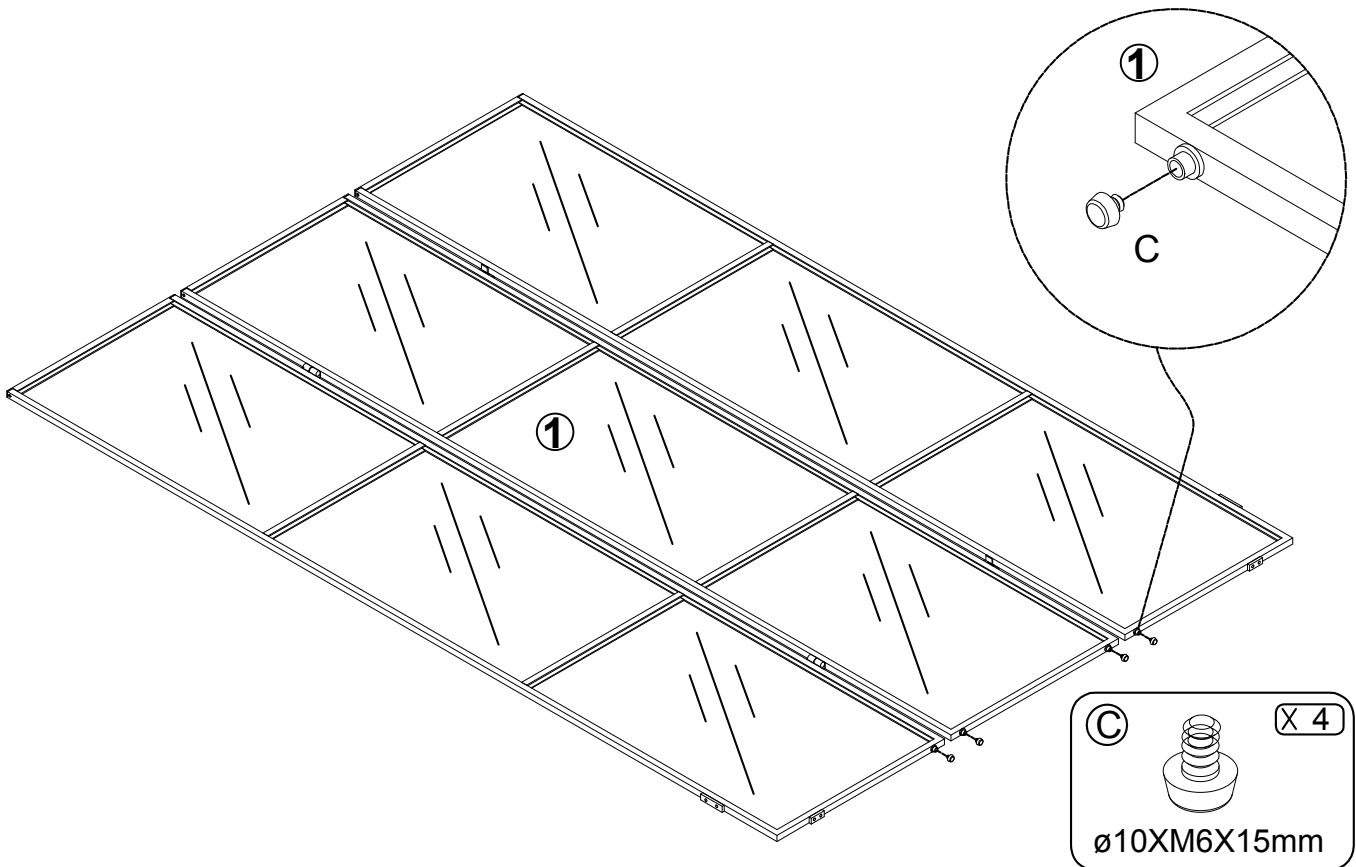




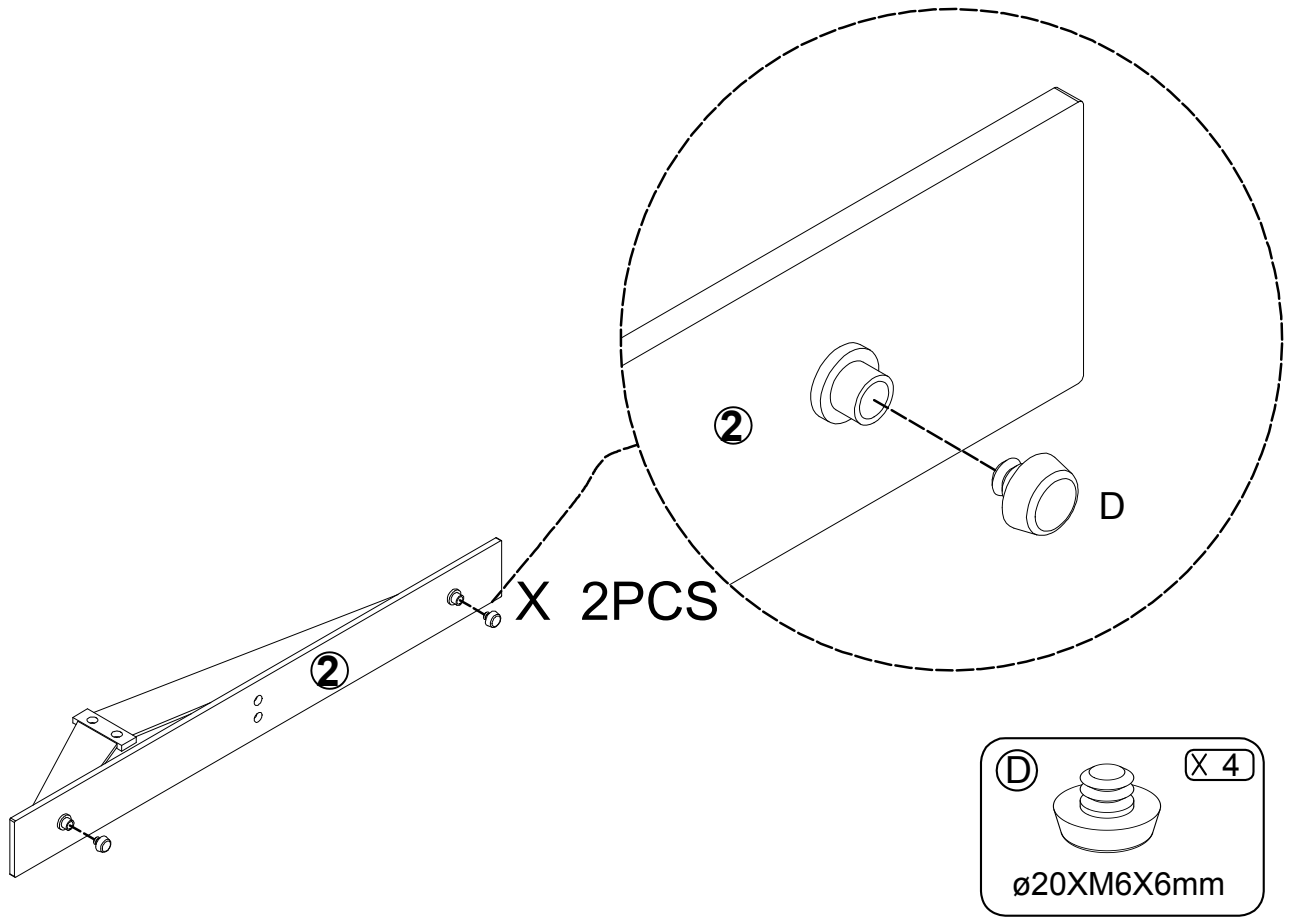
1



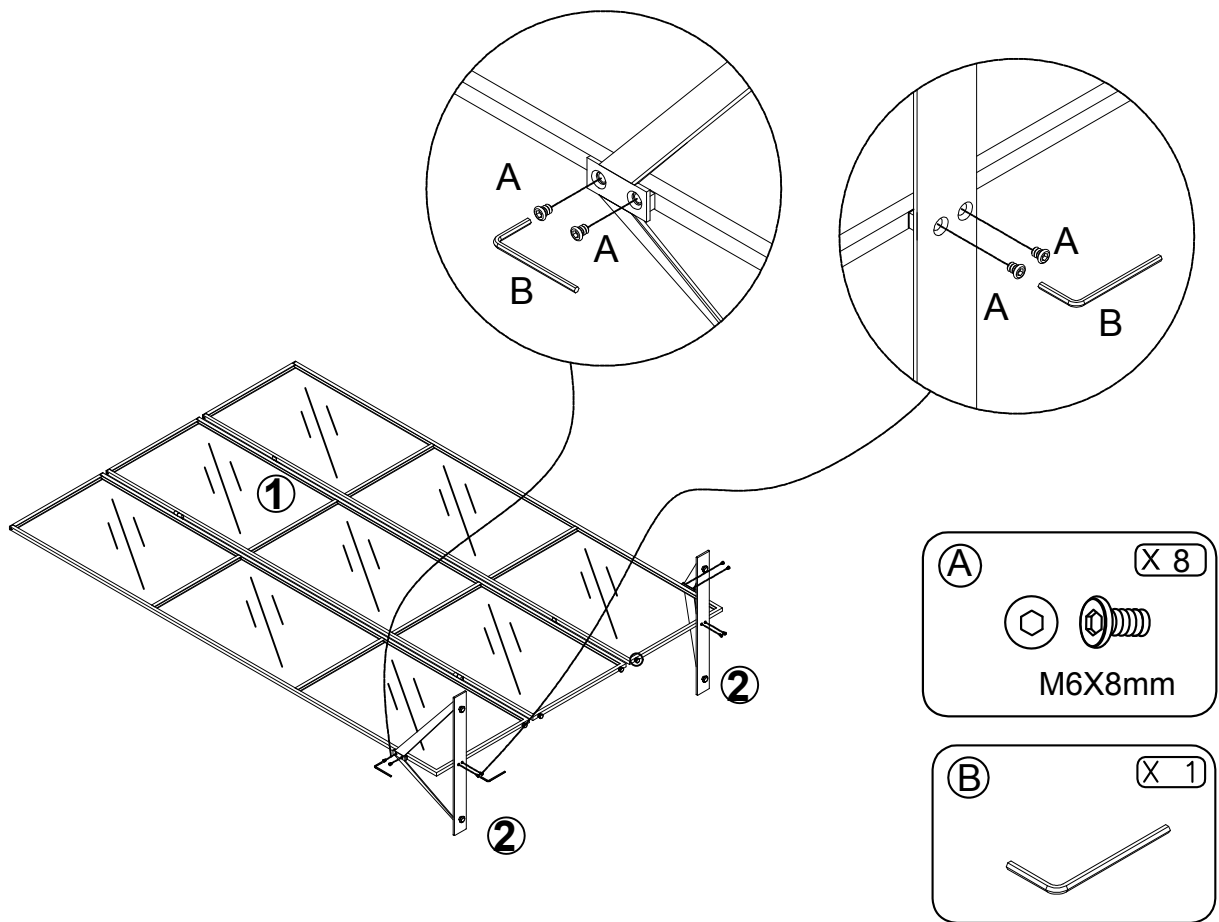
2



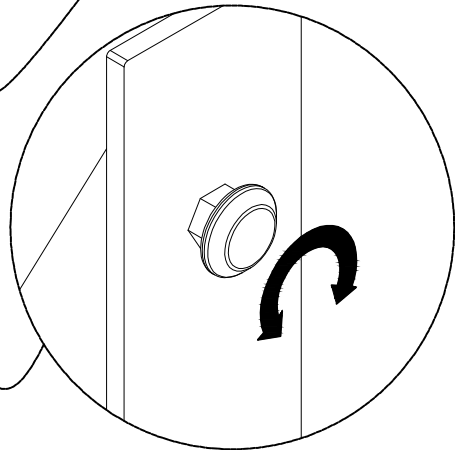
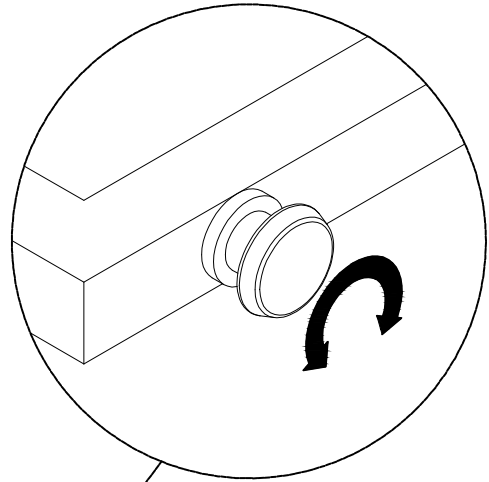
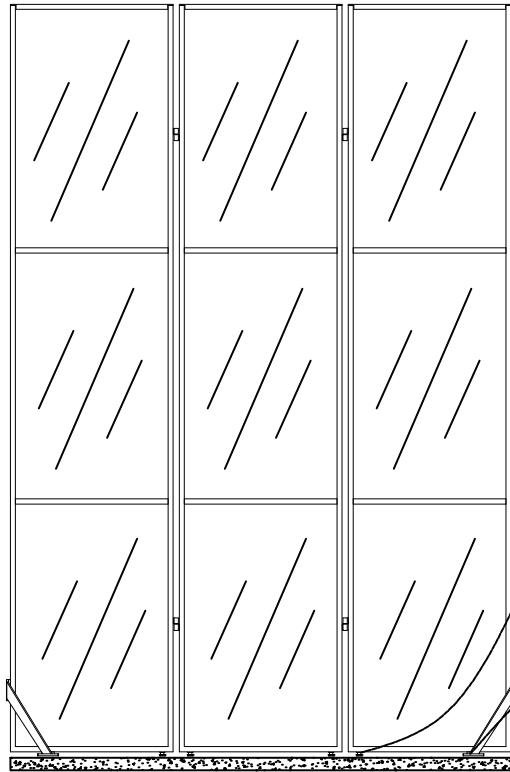
3



4



5



6

