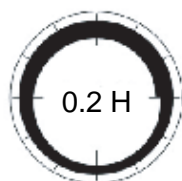
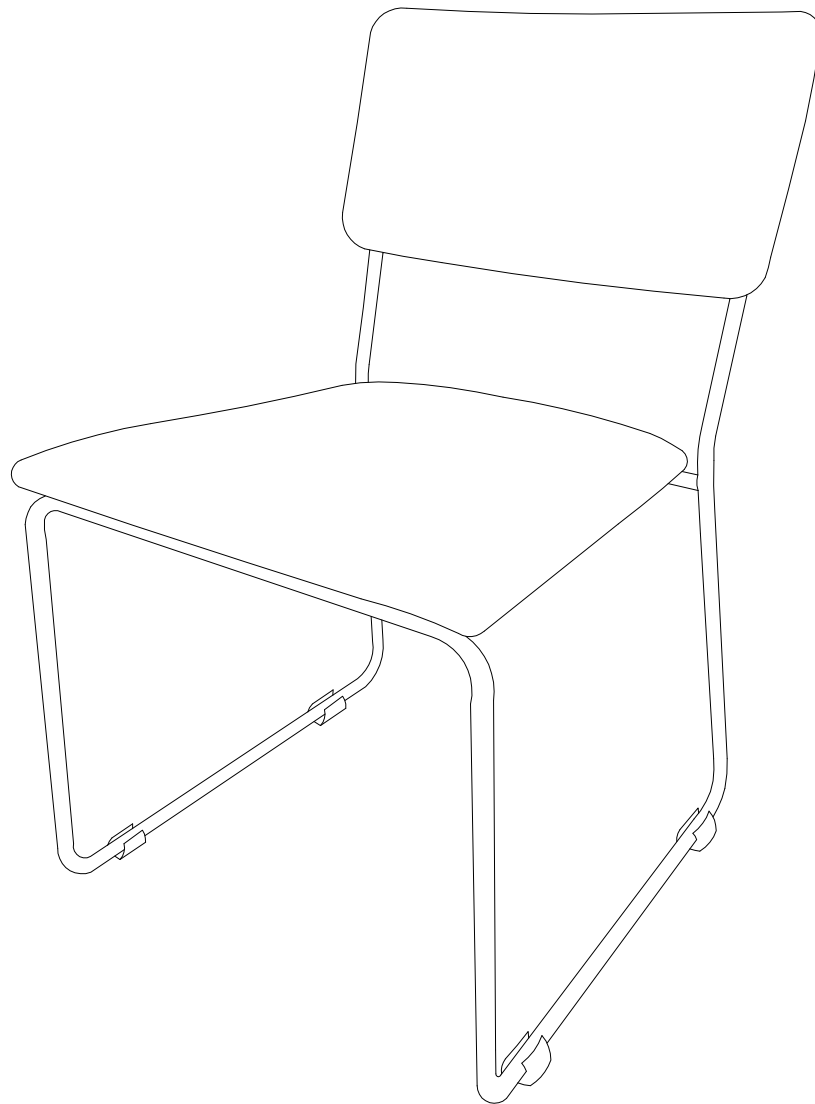
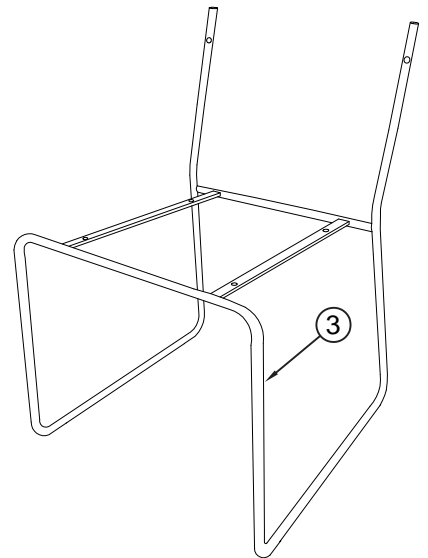
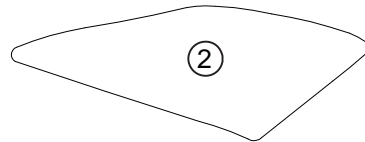
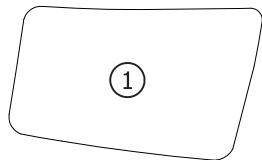
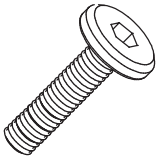
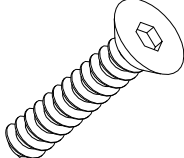






# Cornelia chair

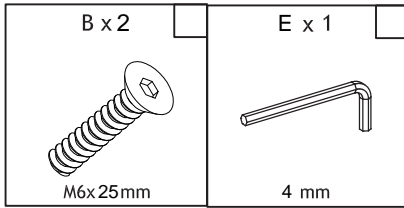


# Cornelia chair

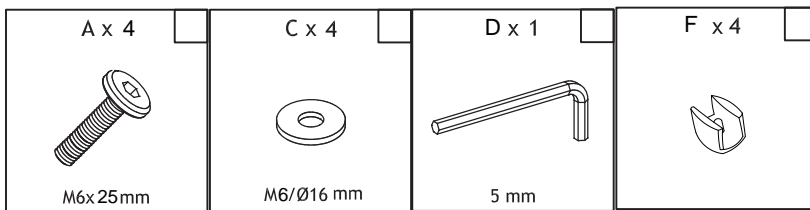
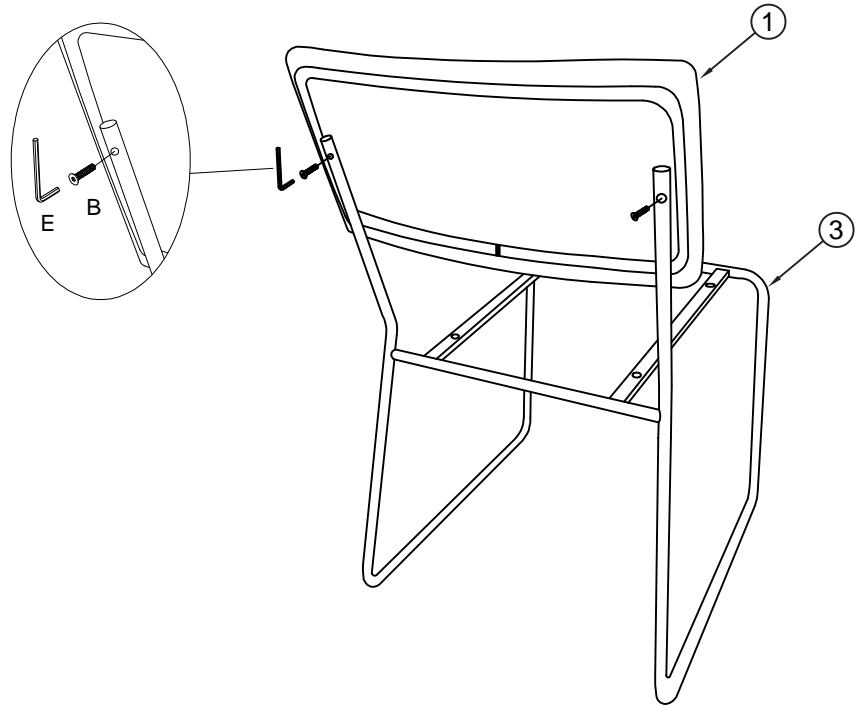


<p>A x 4</p>  <p>M6x25mm</p>	<p>B x 2</p>  <p>M6x25mm</p>	<p>C x 4</p>  <p>M6/Ø16 mm</p>
<p>D x 1</p>  <p>5 mm</p>	<p>E x 1</p>  <p>4 mm</p>	<p>F x 4</p> 

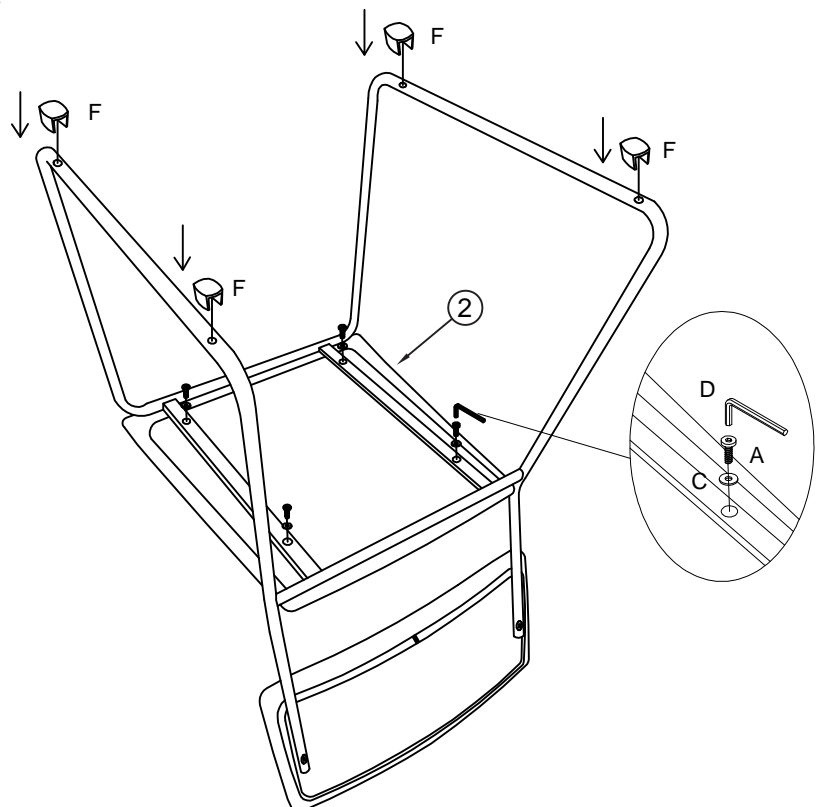
# Cornelia chair



①



②



# Cornelia chair

3

