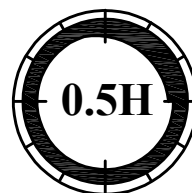
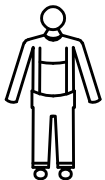
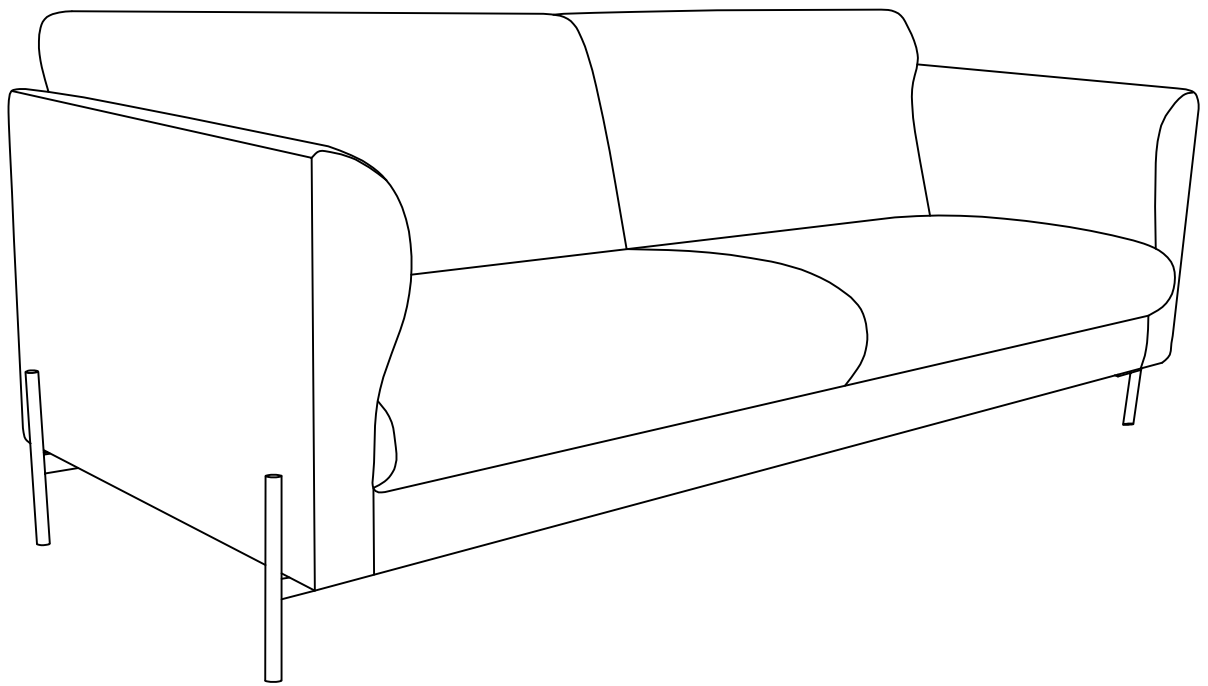
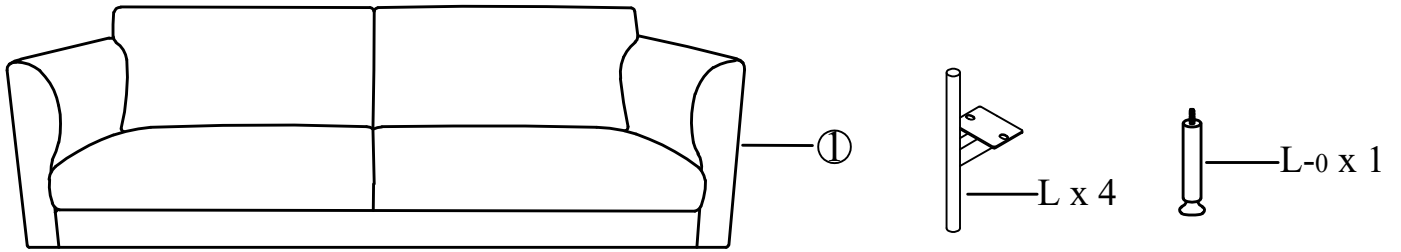


---

# Conley



# Conley



A x 8



M8 X 38mm

B x 1



M5

C x 8



φ25

D x 8

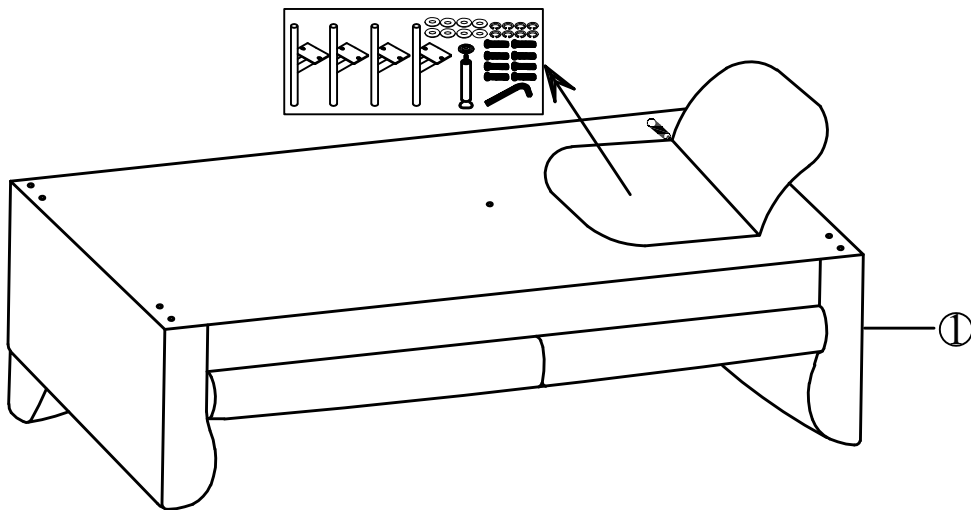


φ13

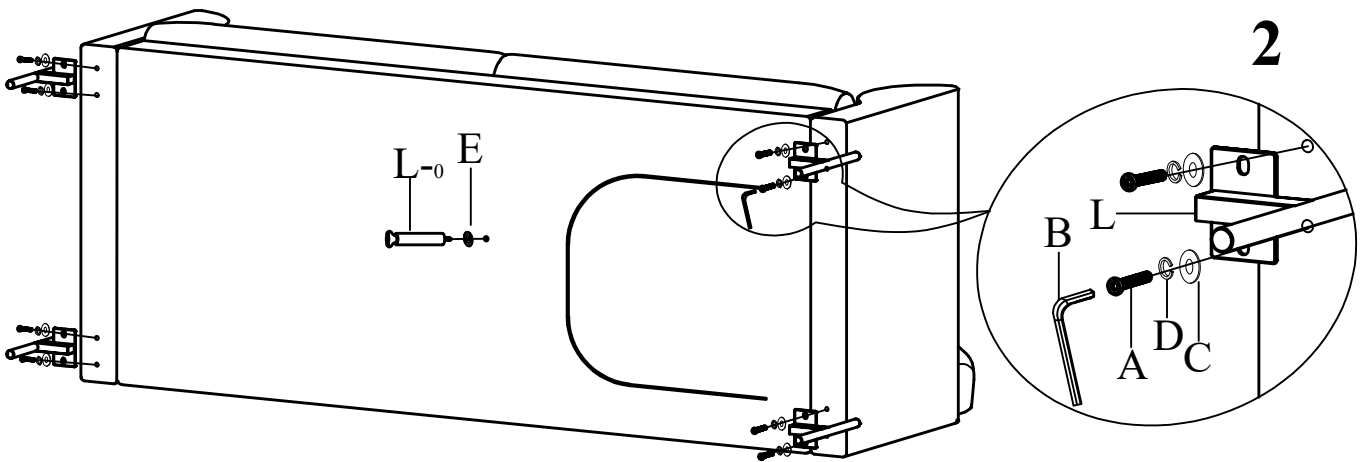
E x 1



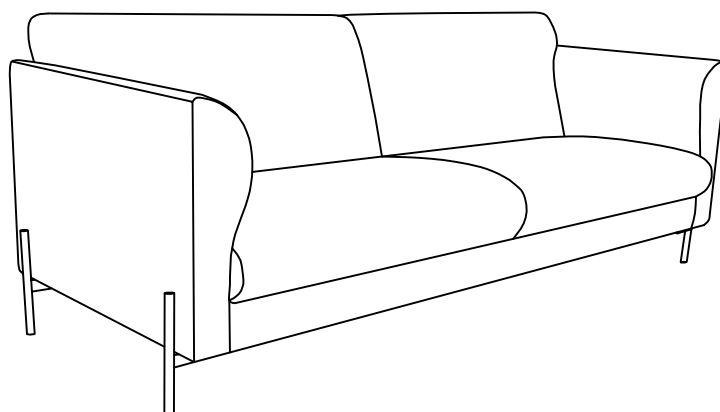
φ48



1



2



3