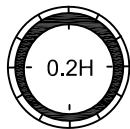
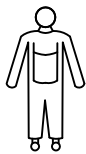
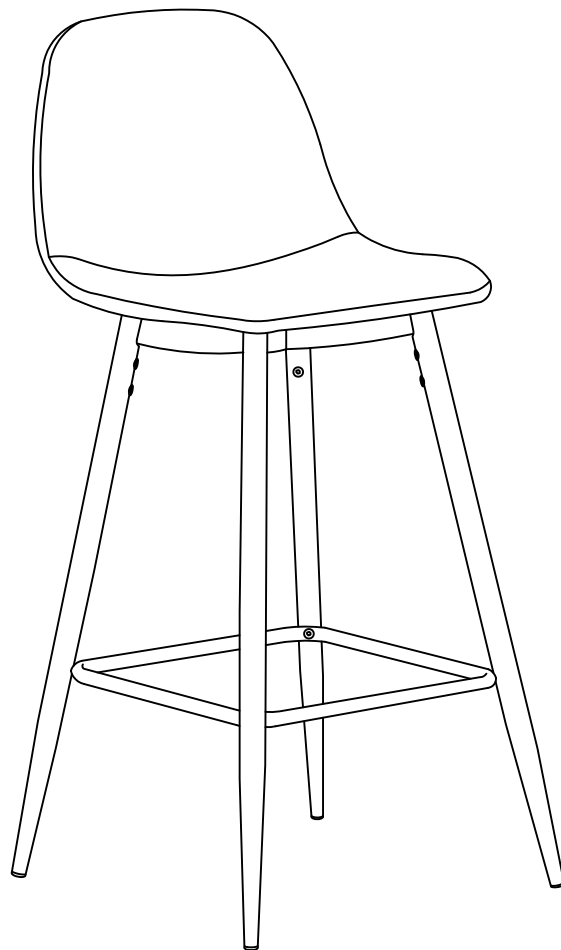
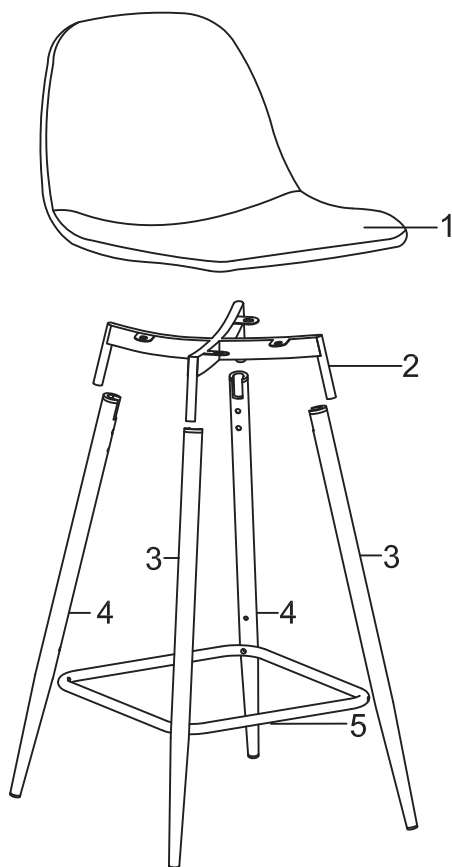


# Wilma

---



# Wilma



M6\*16  
A(X12)



Ø6  
B(X4)



M6\*20  
C(X4)

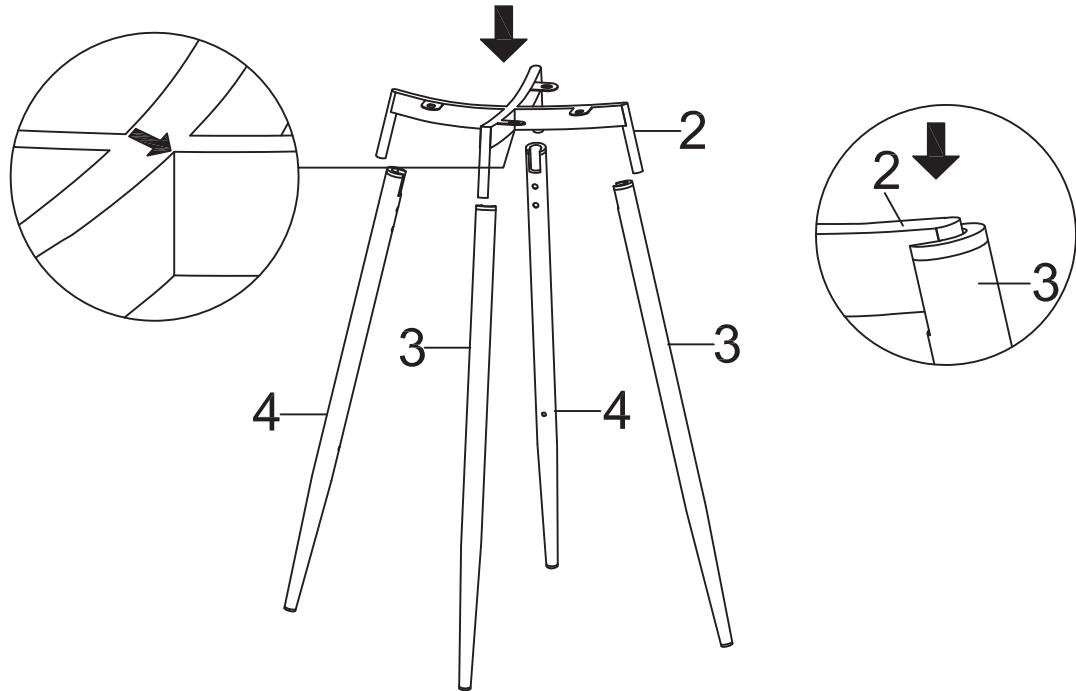


D(X1)

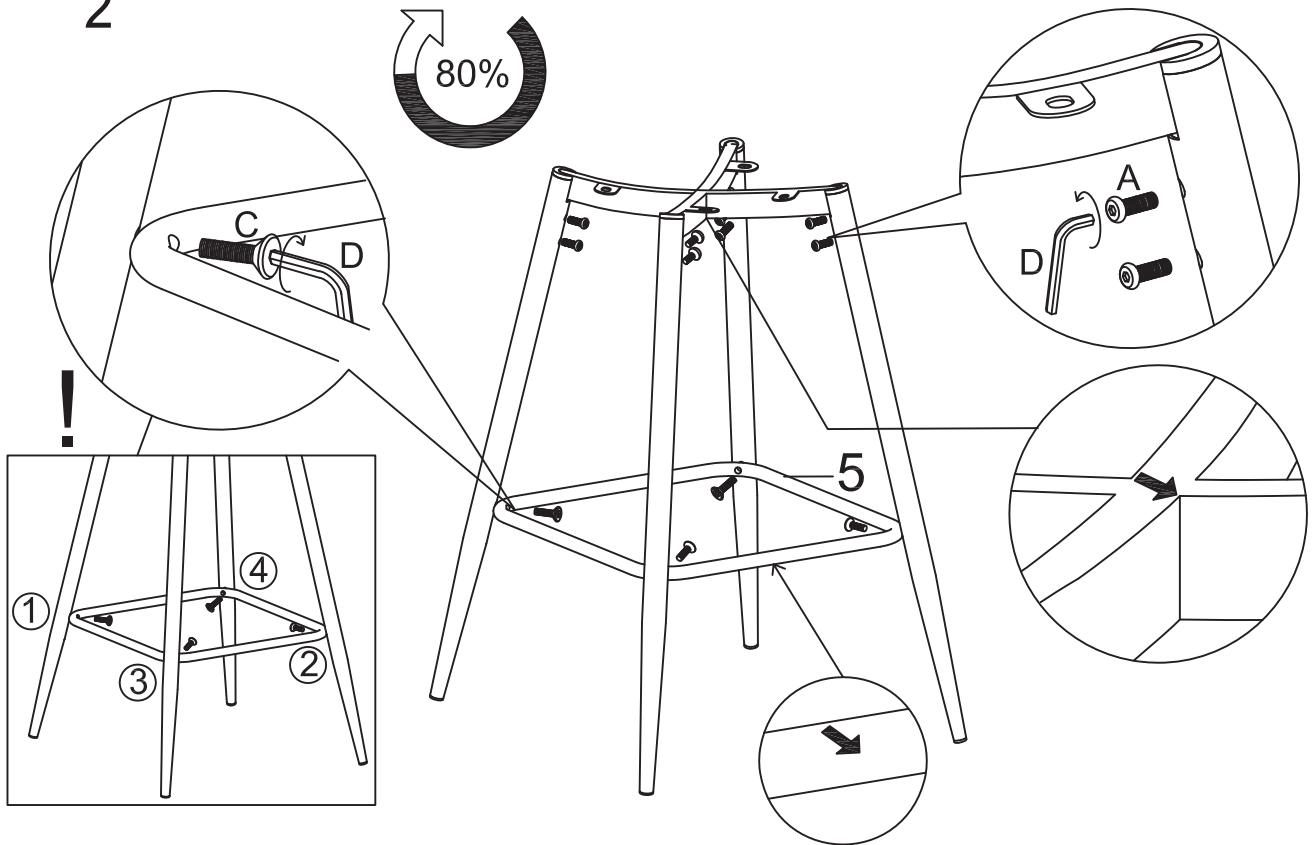


# Wilma

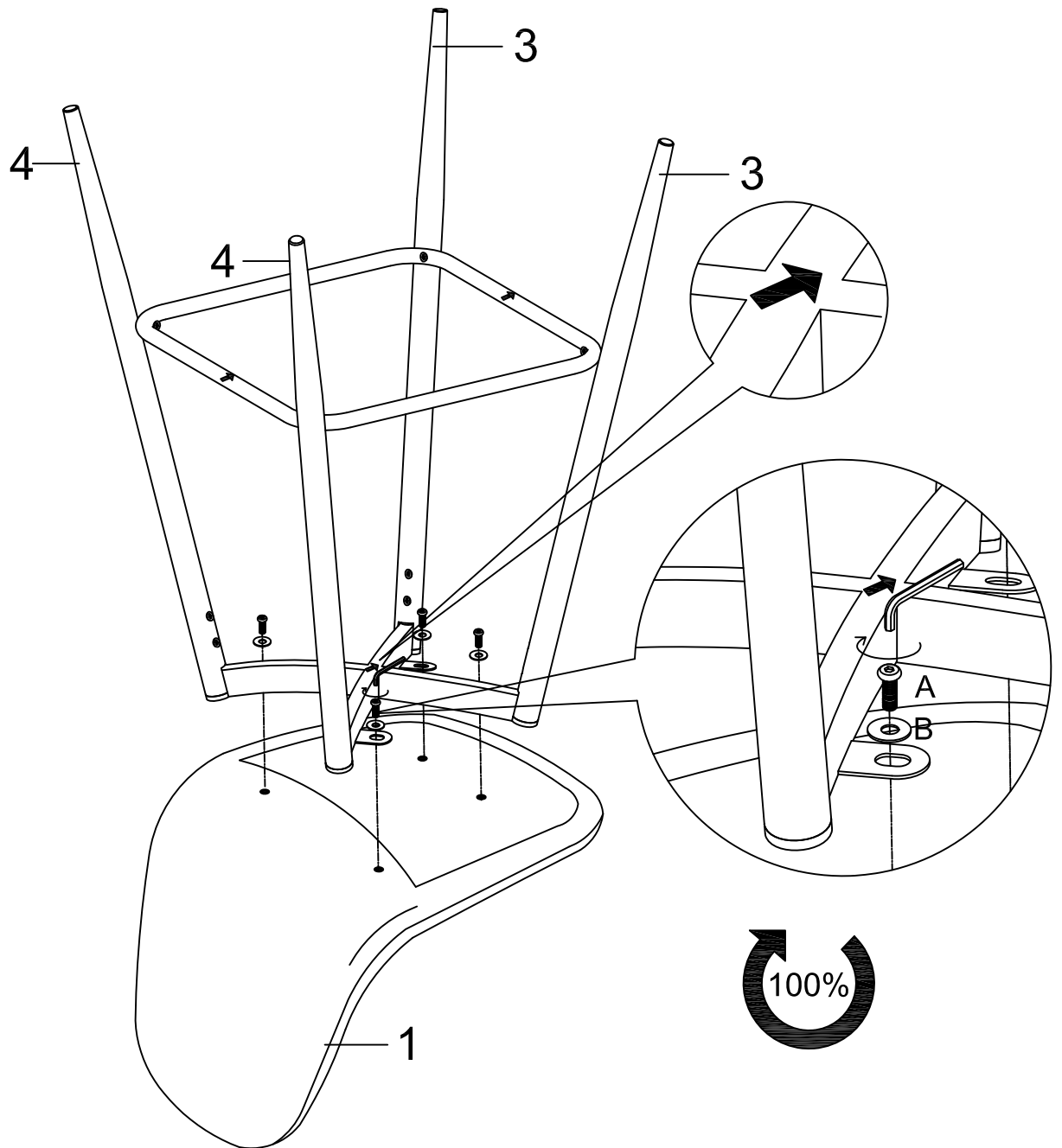
1



2



3



4

