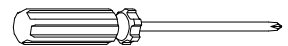
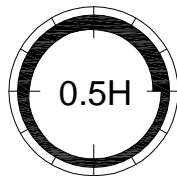
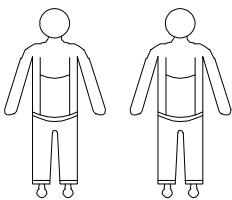
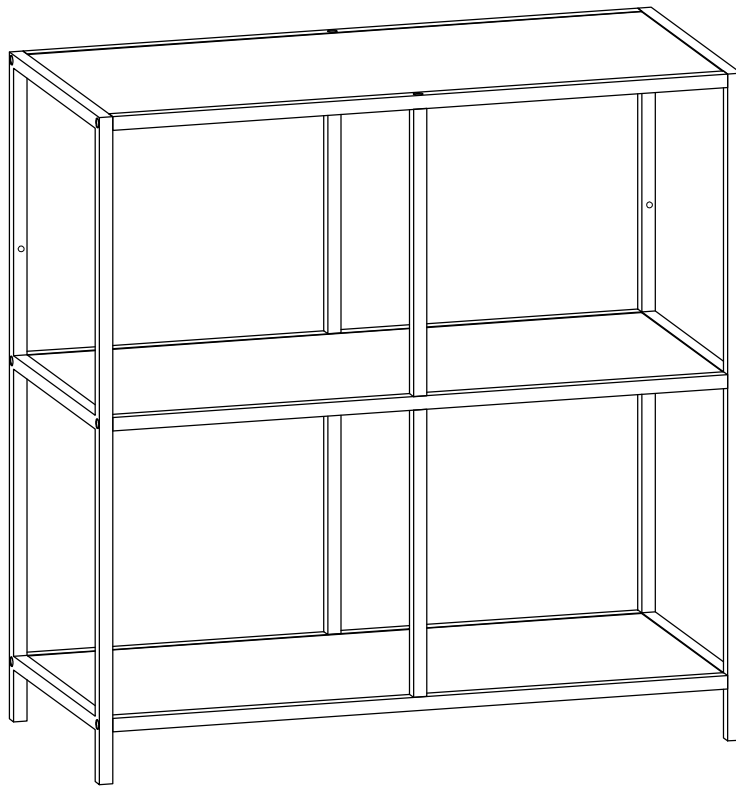
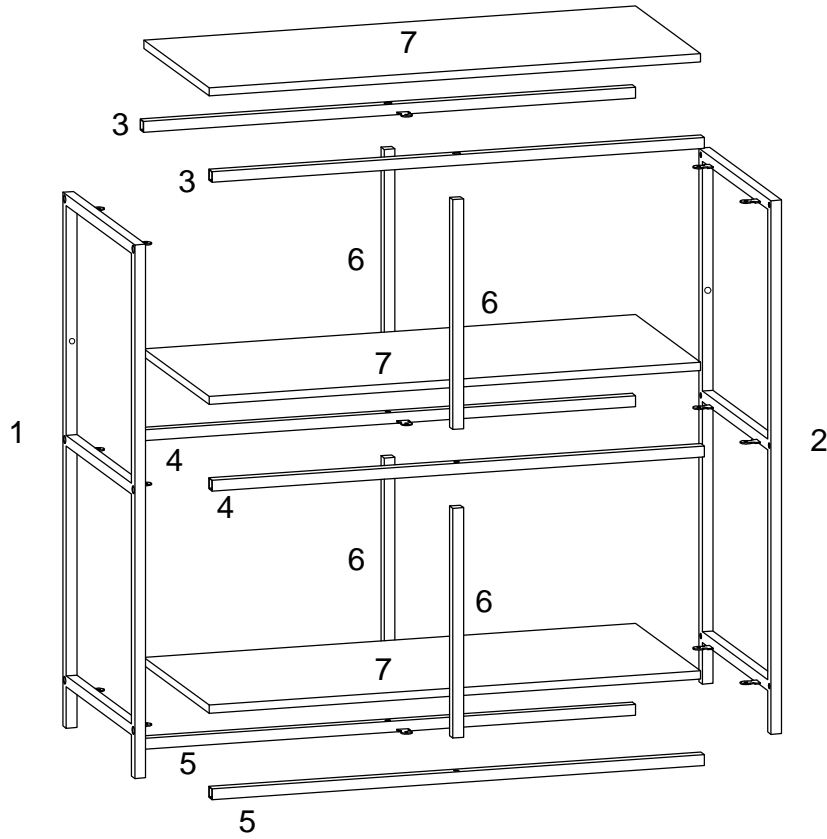


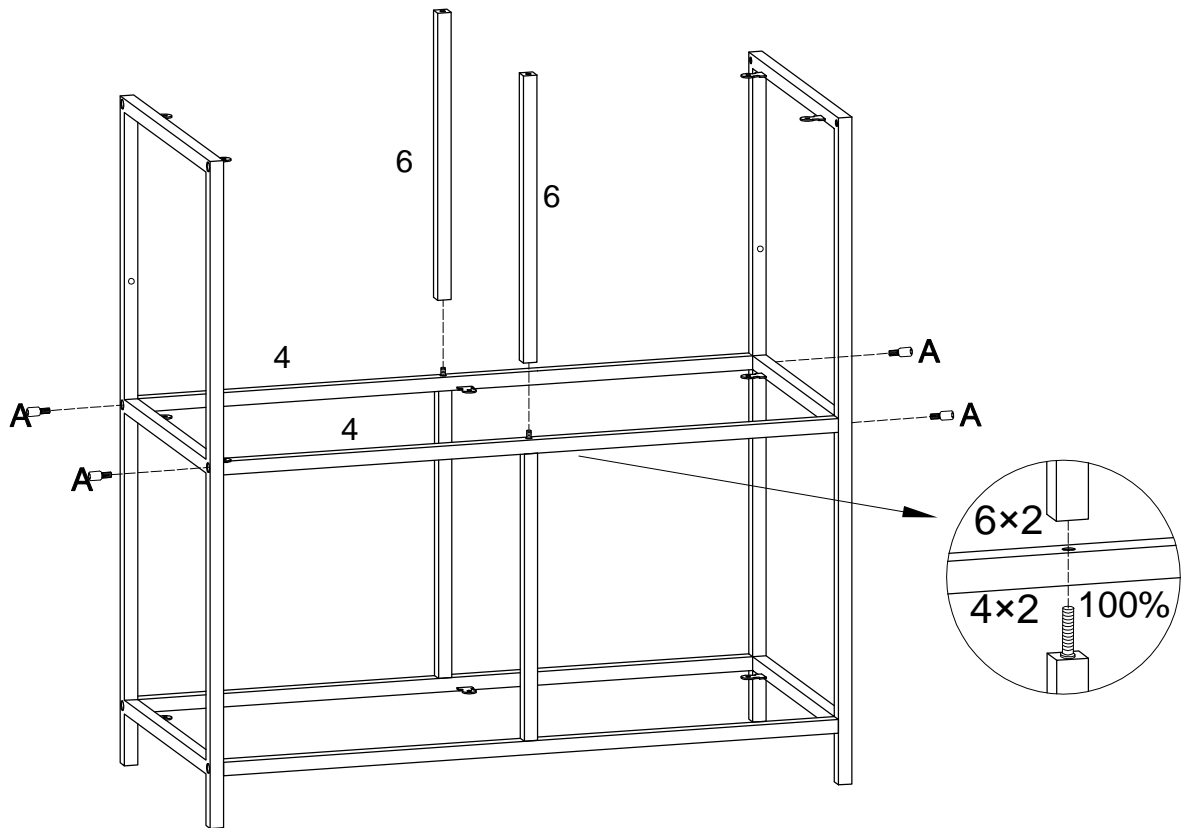
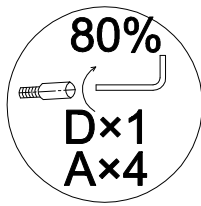
Seaford

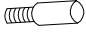



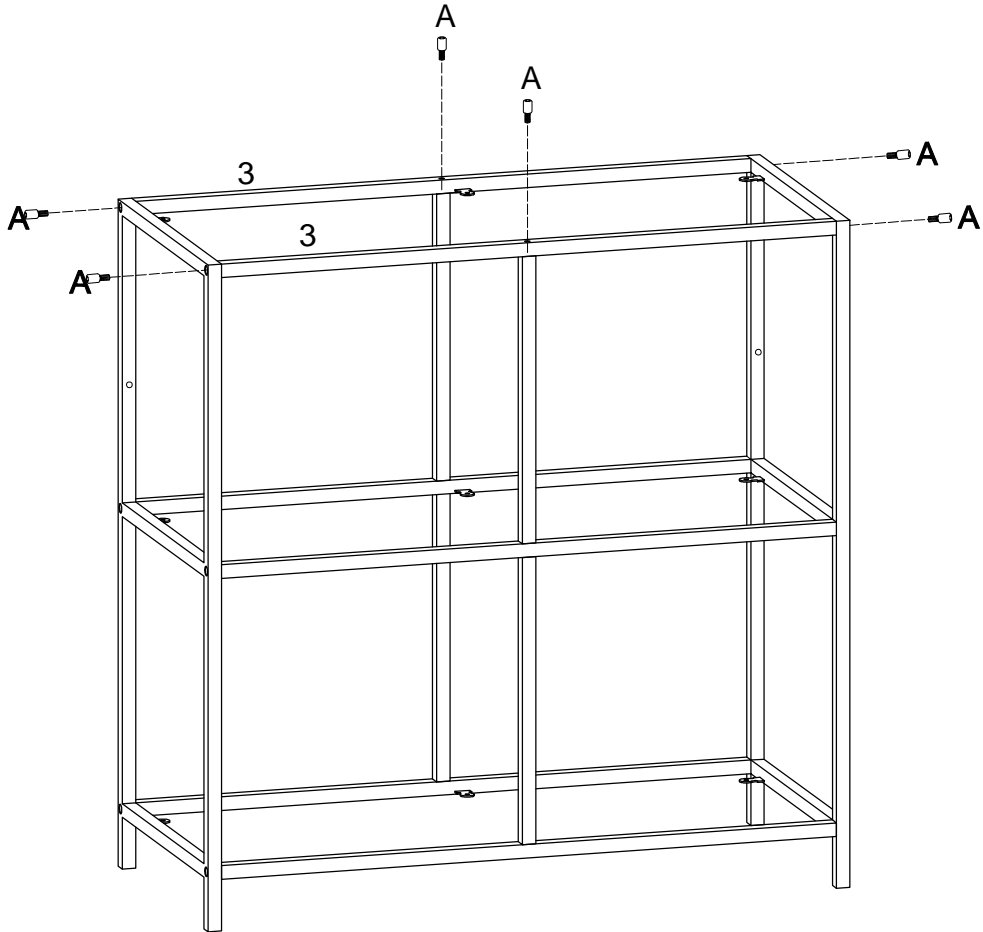
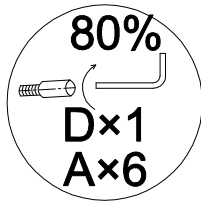


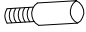

<p>1</p> <p>1PC</p>	<p>2</p> <p>1PC</p>	<p>3</p> <p>2PCS</p>
<p>4</p> <p>2PCS</p>	<p>5</p> <p>2PCS</p>	<p>6</p> <p>4PCS</p>
<p>7</p> <p>3PCS</p>		

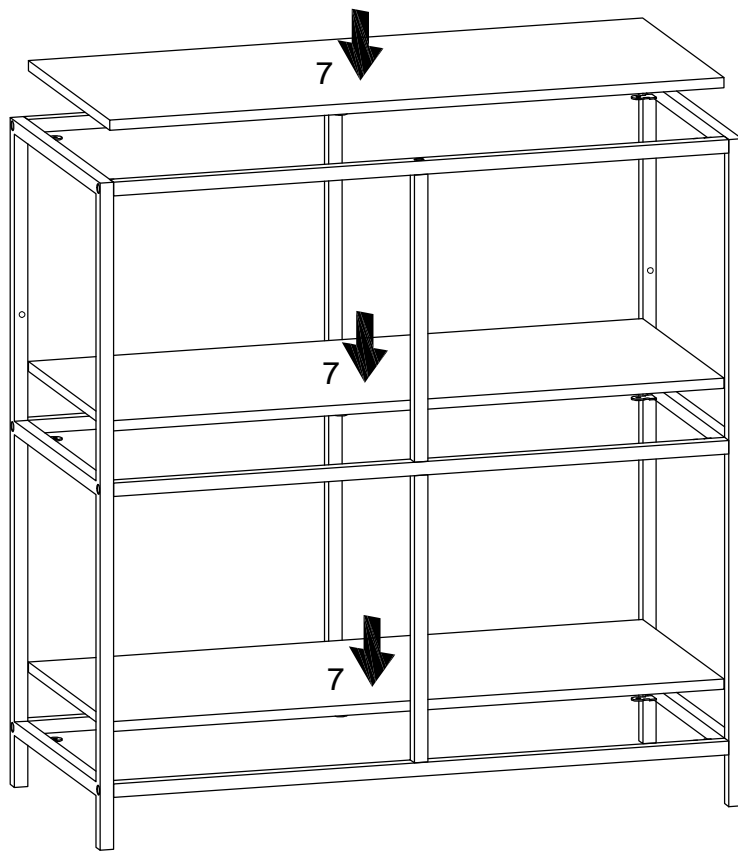
<p>A</p> <p>M6×15mm</p> <p>16PCS</p>	<p>B</p> <p>M6×55mm</p> <p>2PCS</p>	<p>C</p> <p>M4×12mm</p> <p>18PCS</p>	<p>D</p> <p>4mm</p> <p>1PC</p>
--------------------------------------	-------------------------------------	--------------------------------------	--------------------------------

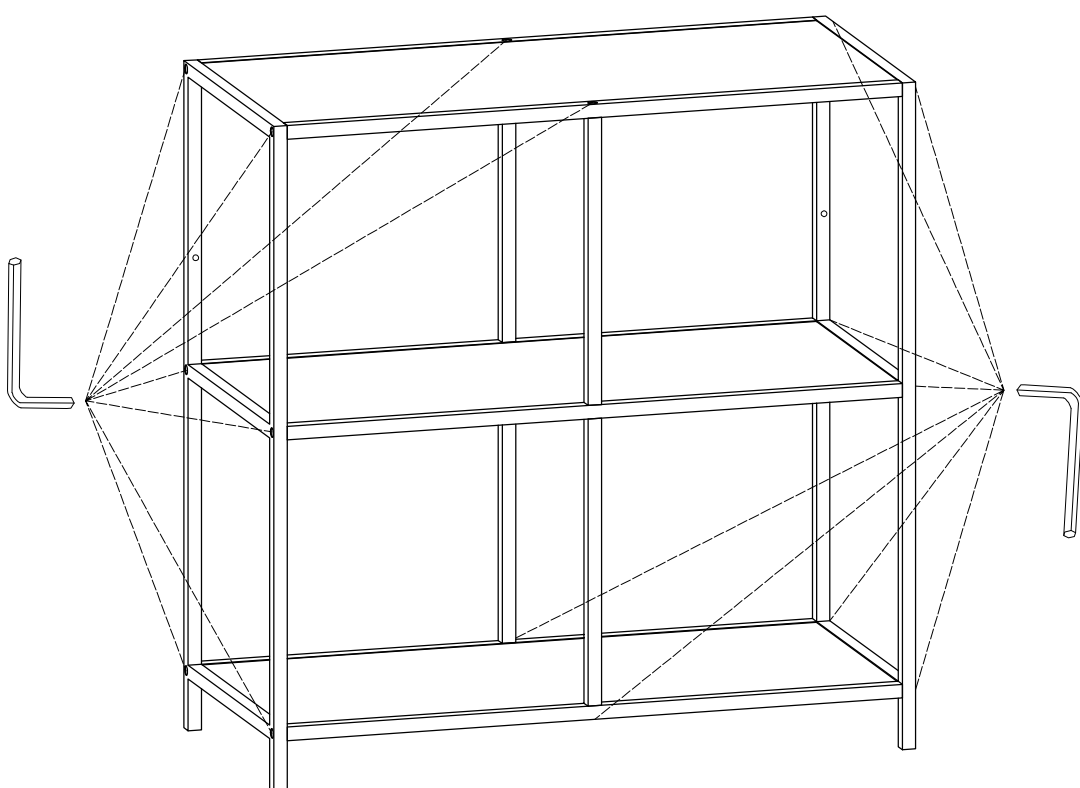
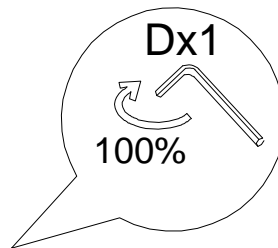


<p>A M6×15mm</p>  <p>4PCS</p>	<p>D 4mm</p>  <p>1PC</p>
--	--

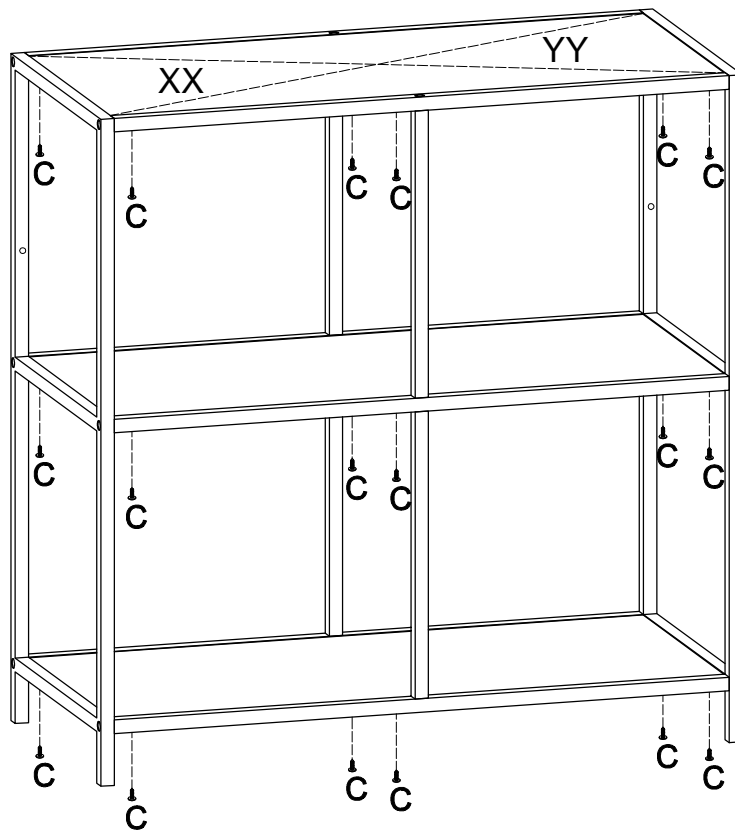
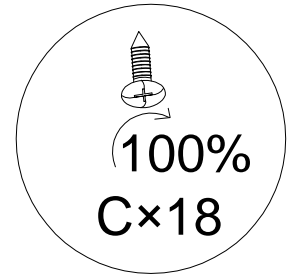



A M6×15mm  6PCS	D 4mm  1PC
---	---





! XX=YY



C M4×12mm

18PCS

