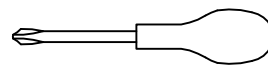
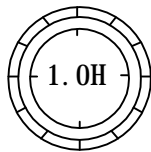
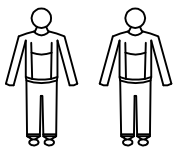
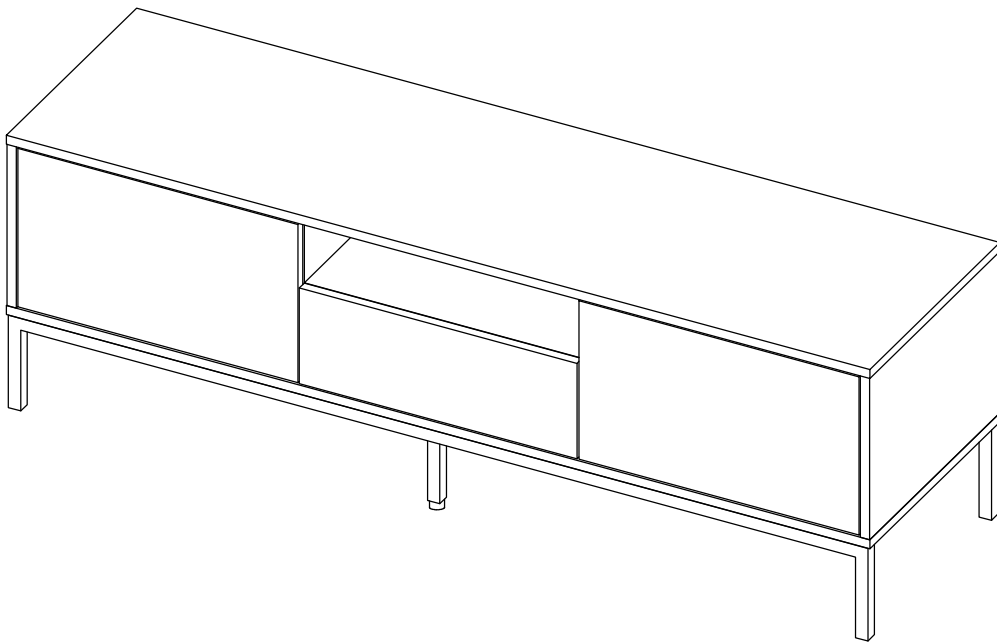
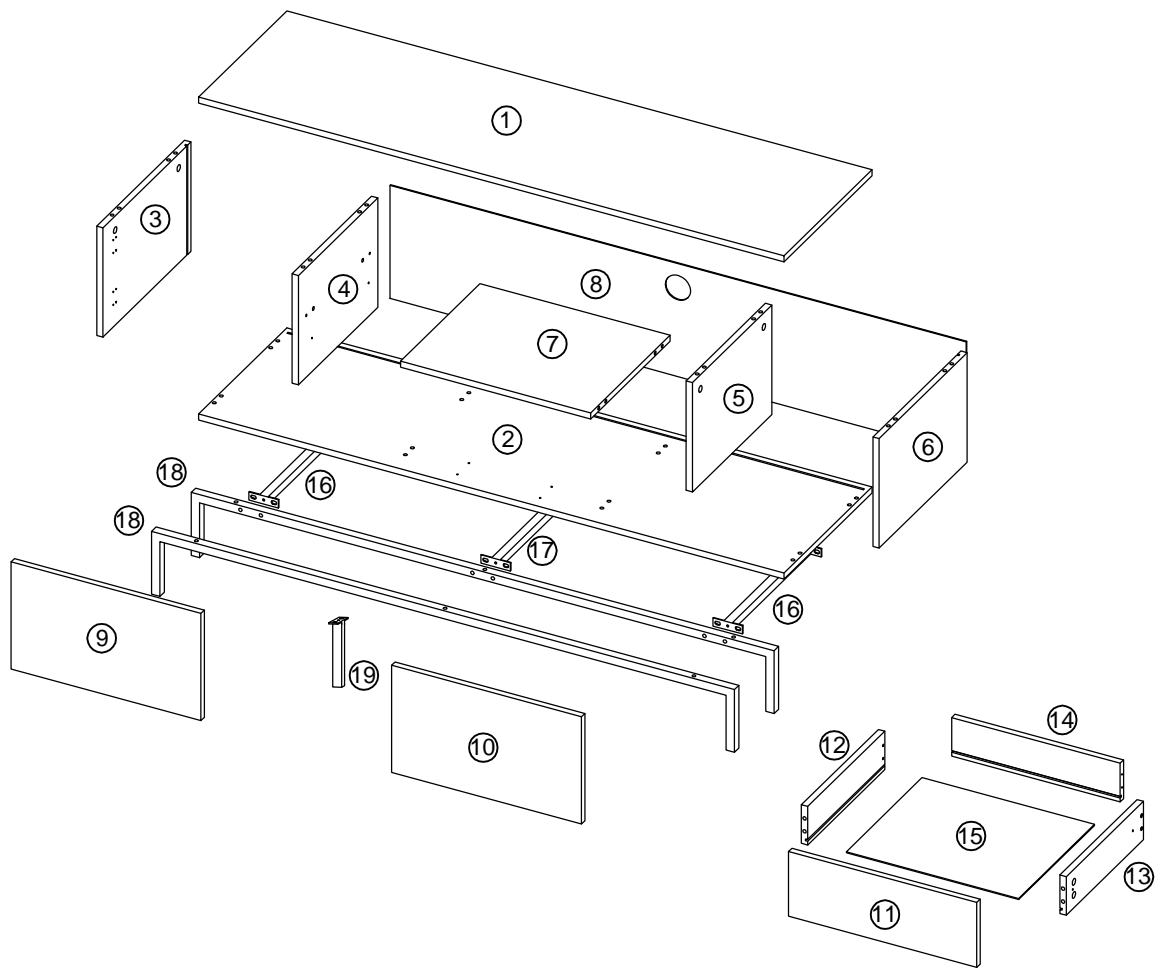








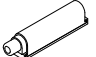







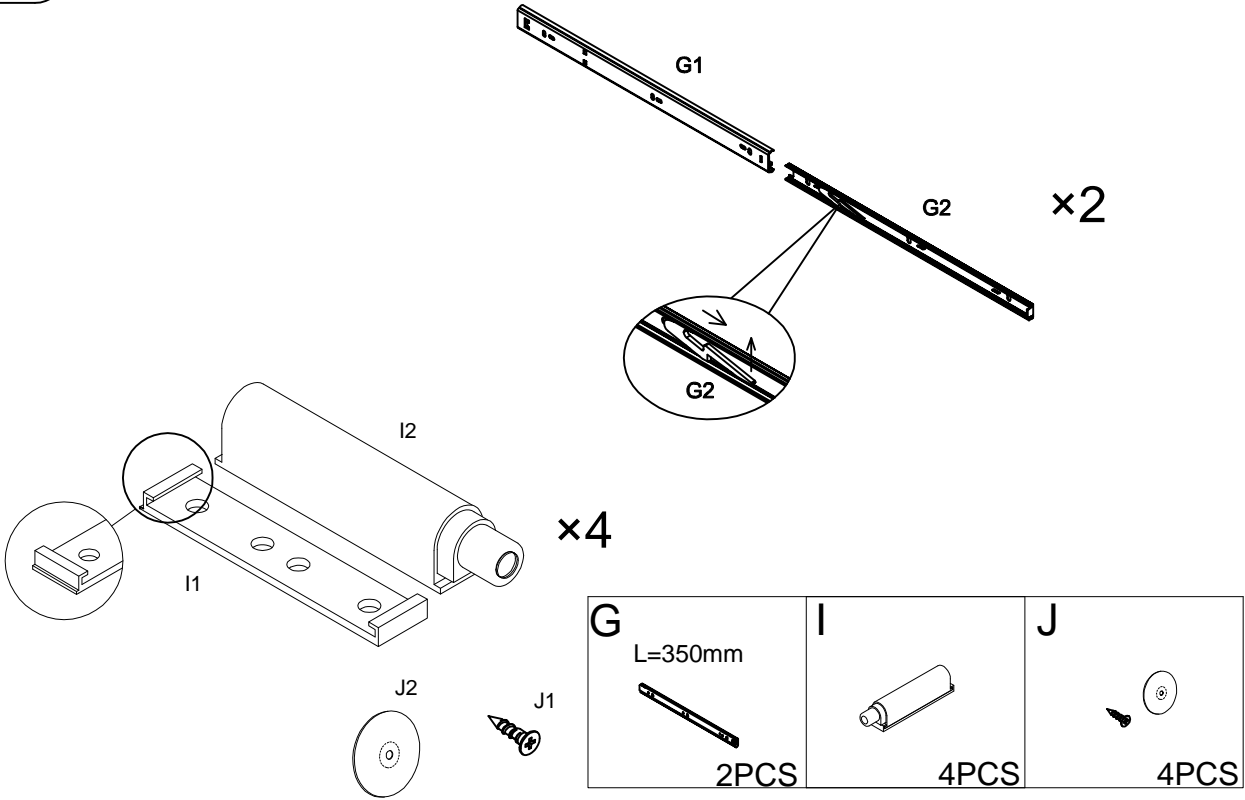
Seaford



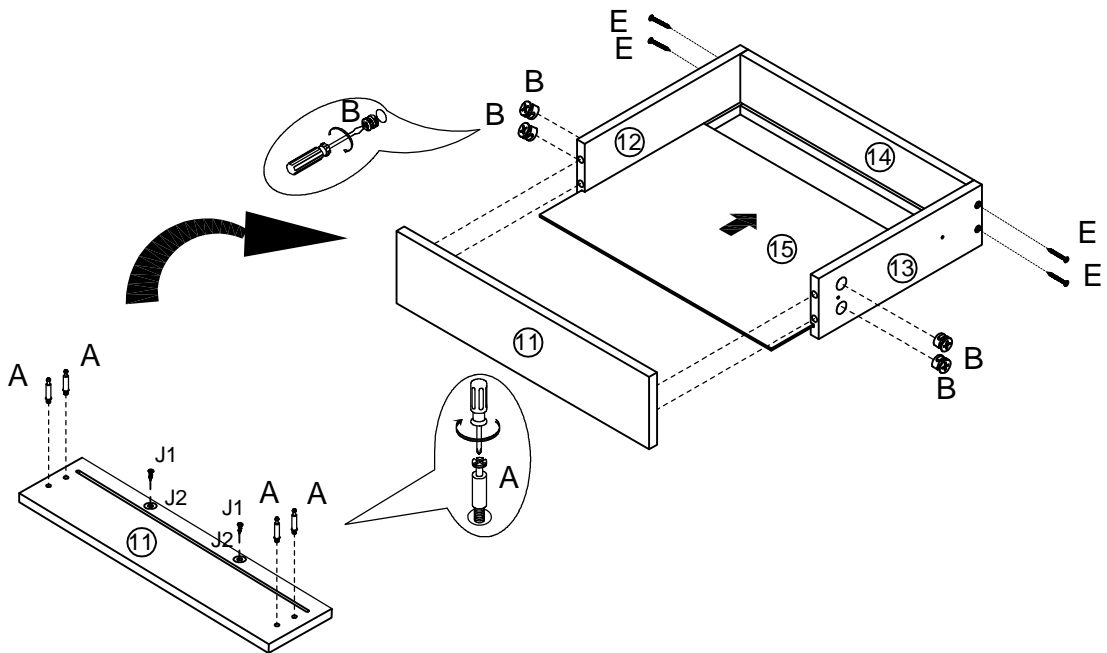


A 6.3×45mm  16PCS	B Ø15×12mm  16PCS	C Ø8×30mm  20PCS	D 7×38mm  8PCS	E 4×35mm  4PCS	F 3.5×14mm  40PCS
G L=350mm  2PCS	H  4PCS	I  4PCS	J  4PCS	K 4mm  1PC	L M6×30mm  6PCS
M M6×15mm  14PCS	N  1PC				

1

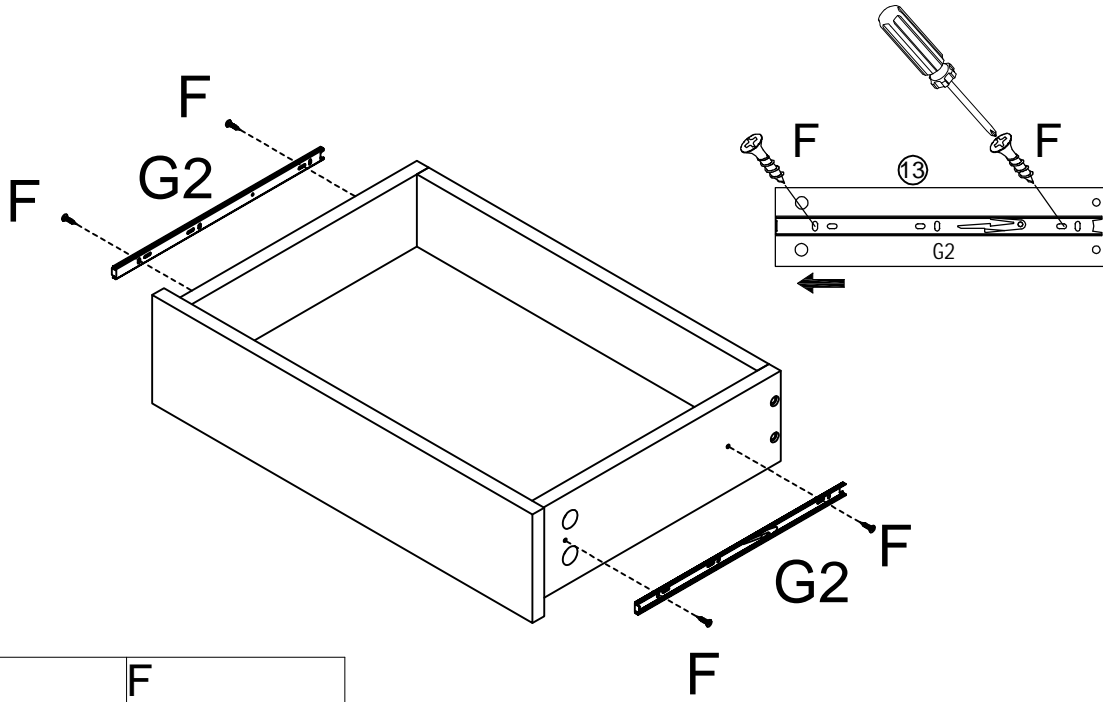




2



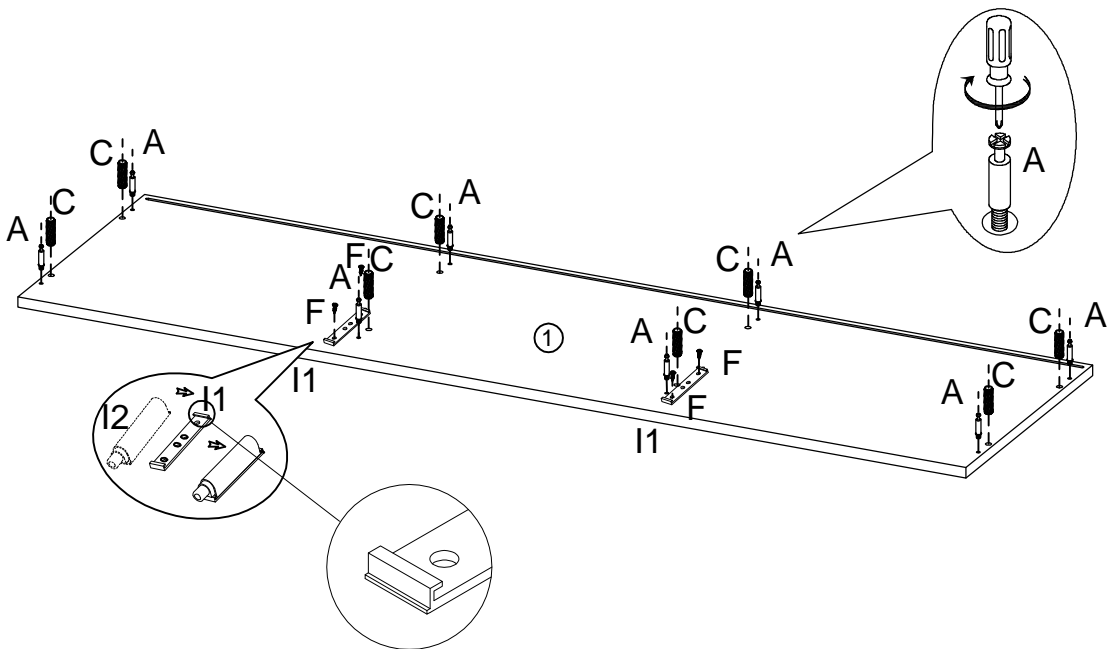
A 6.3×45mm 4PCS	B Ø15×12mm 4PCS	E M4×35mm 4PCS	J1 2PCS	J2 2PCS
------------------------------	------------------------------	-----------------------------	-------------------	-------------------


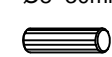


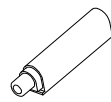
3



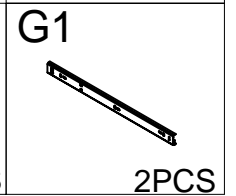
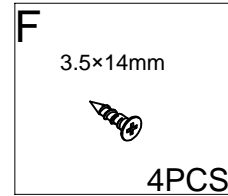
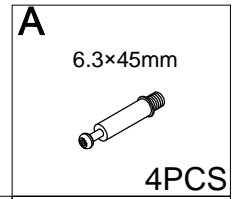
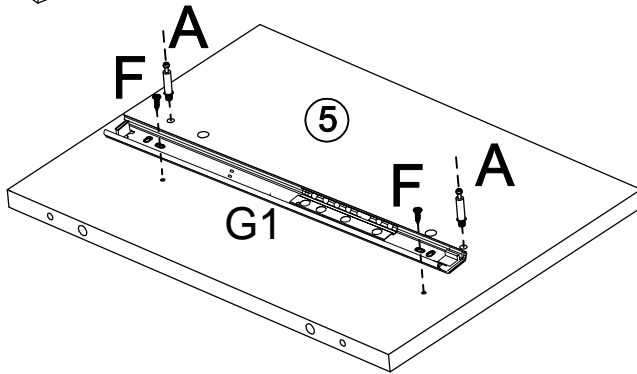
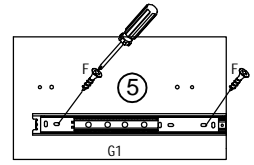
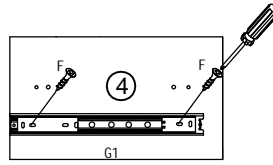
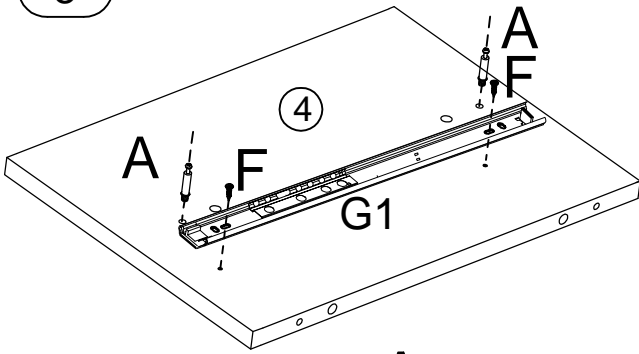
<p>G2 L=350mm</p>  <p>2PCS</p>	<p>F 3.5×14mm</p>  <p>4PCS</p>
--	--

4

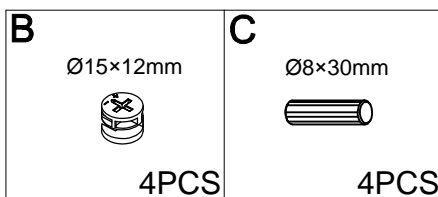
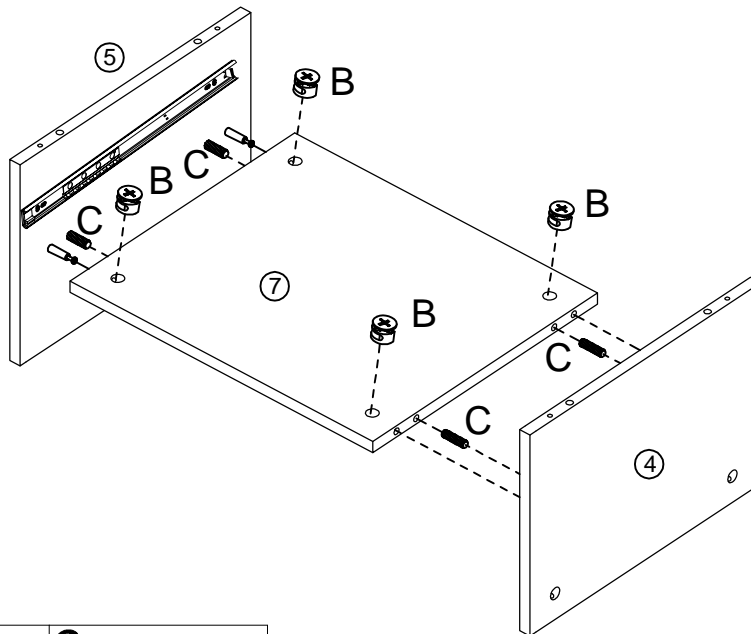


<p>A 6.3×45mm</p>  <p>8PCS</p>	<p>C Ø8×30mm</p>  <p>8PCS</p>	<p>F 3.5×14mm</p>  <p>4PCS</p>	<p>I1</p>  <p>2PCS</p>	<p>I2</p>  <p>2PCS</p>
--	---	--	--	--

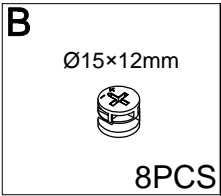
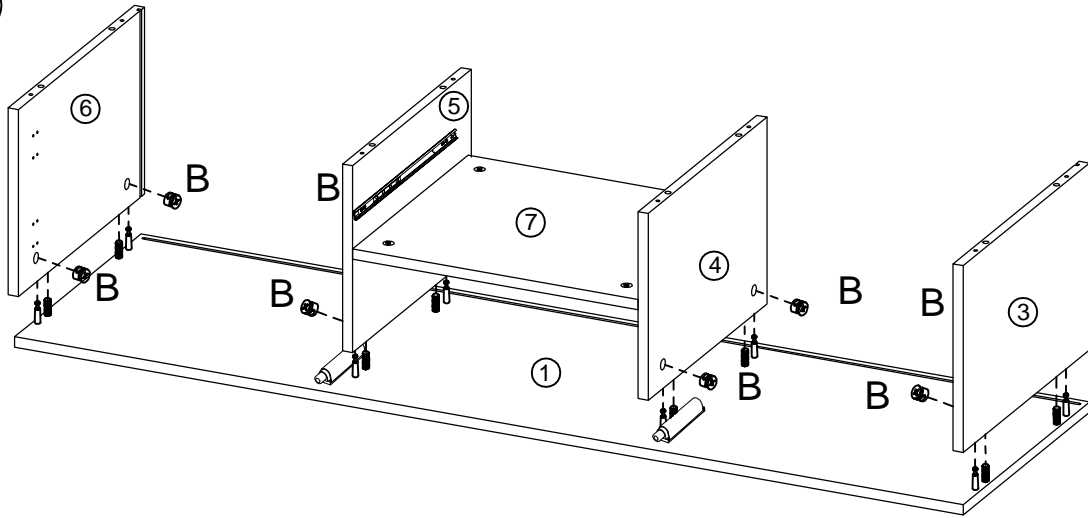
5



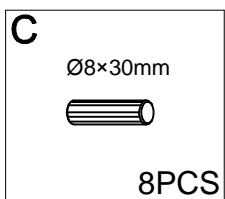
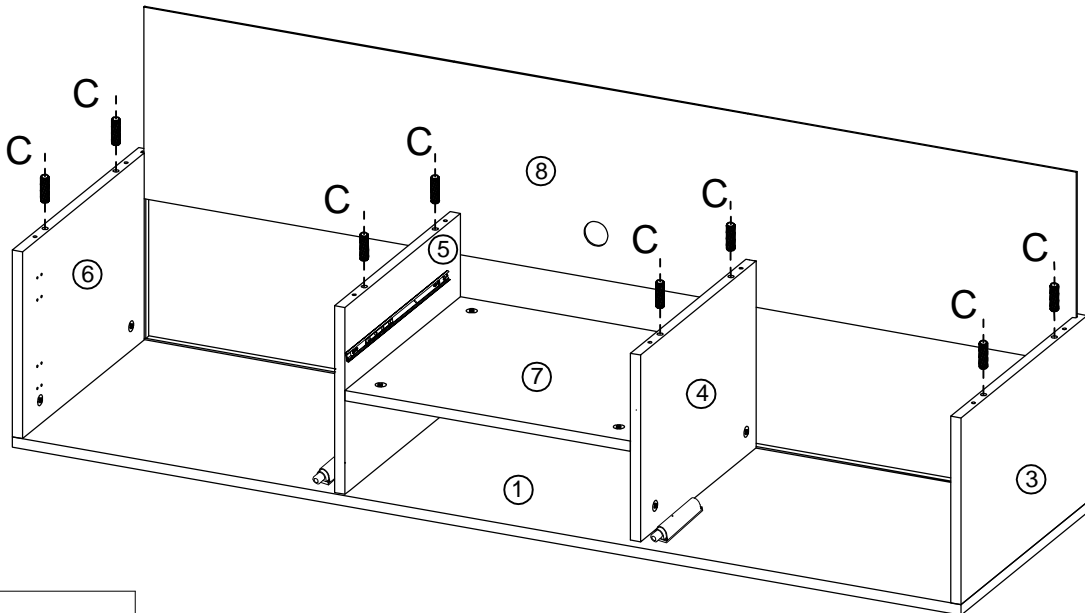
6



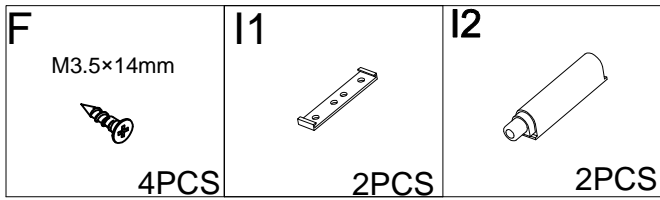
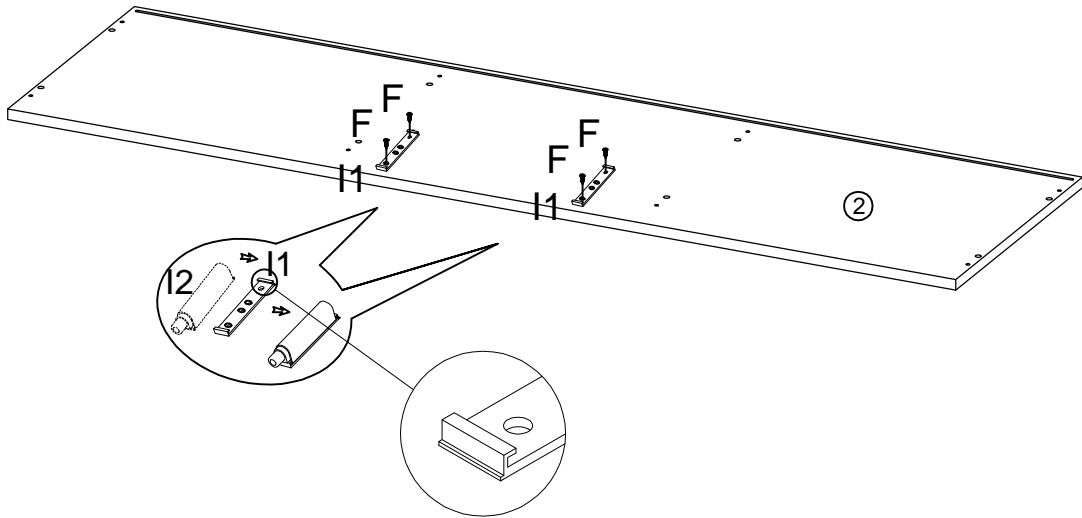
7



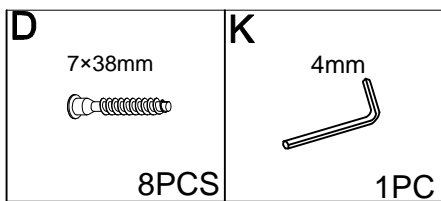
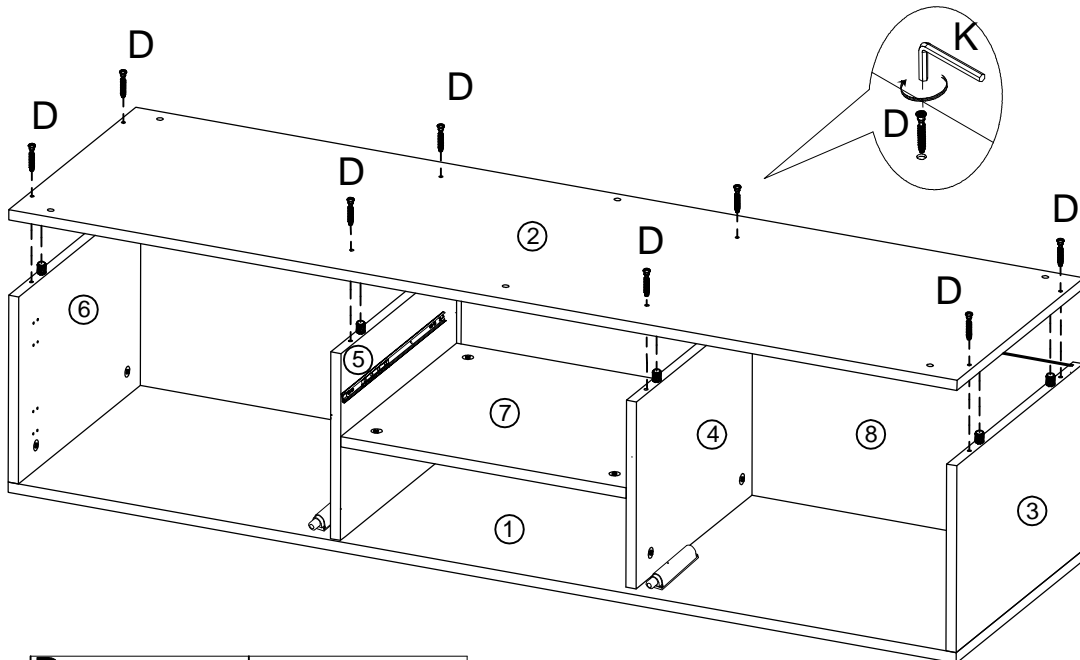
8



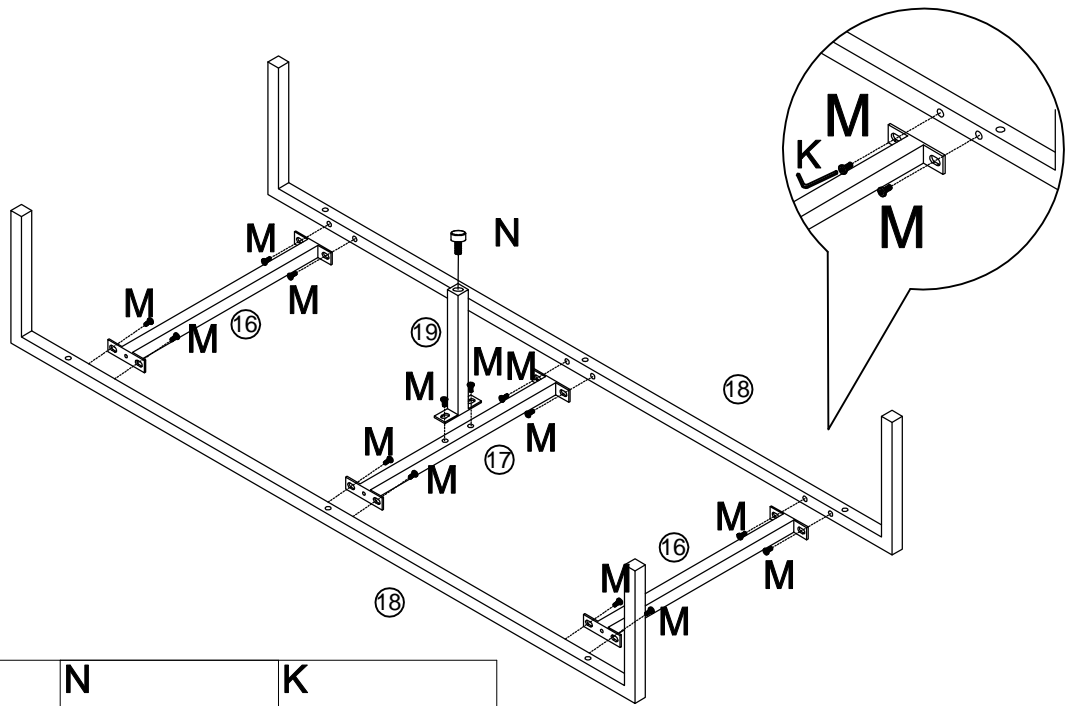
9






10

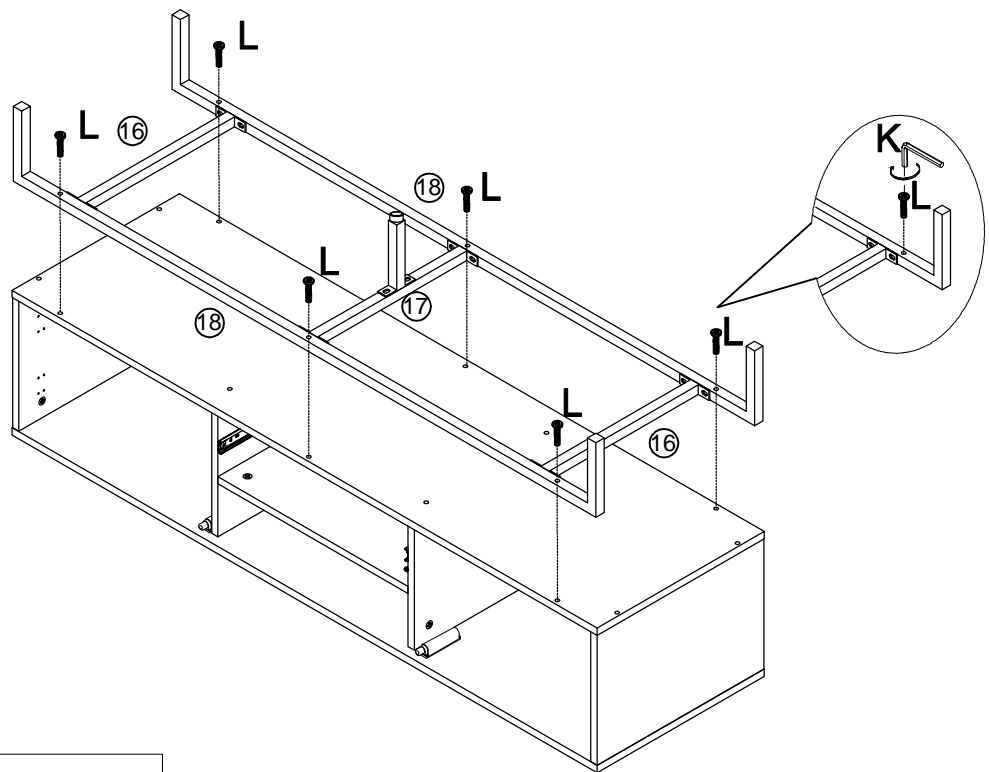




11



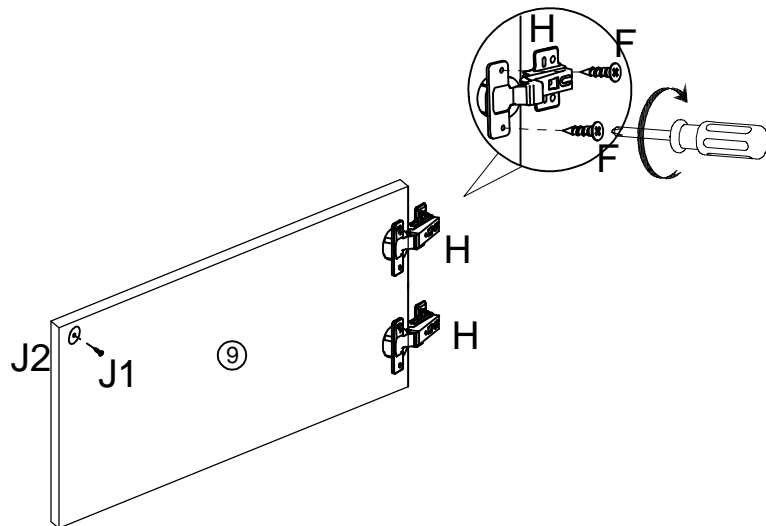
<p>M M6×15mm</p>  <p>14PCS</p>	<p>N</p>  <p>1PC</p>	<p>K 4mm</p>  <p>1PC</p>
--	--	--





12



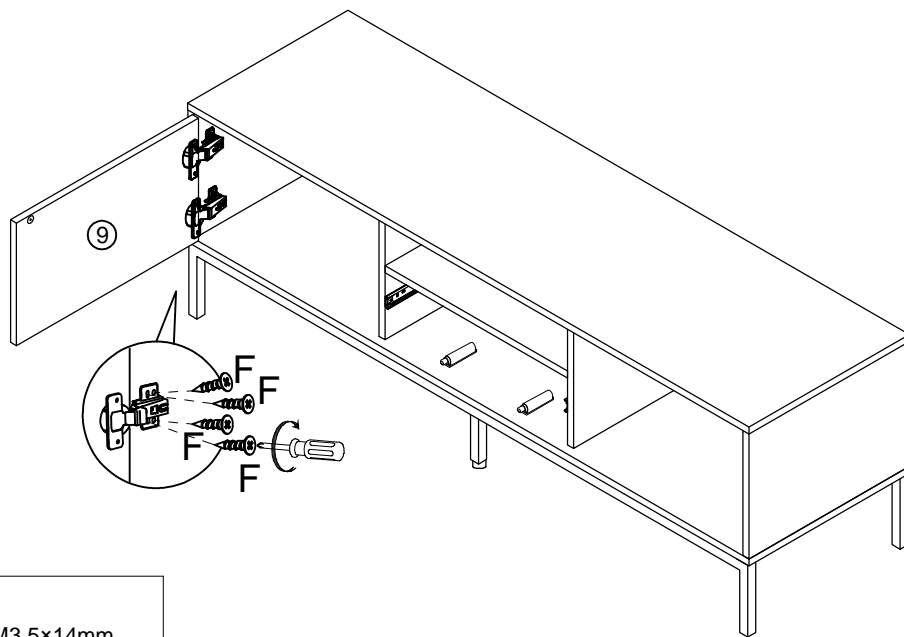
<p>L M6×30mm</p>  <p>6PCS</p>	<p>K 4mm</p>  <p>1PC</p>
---	--


13



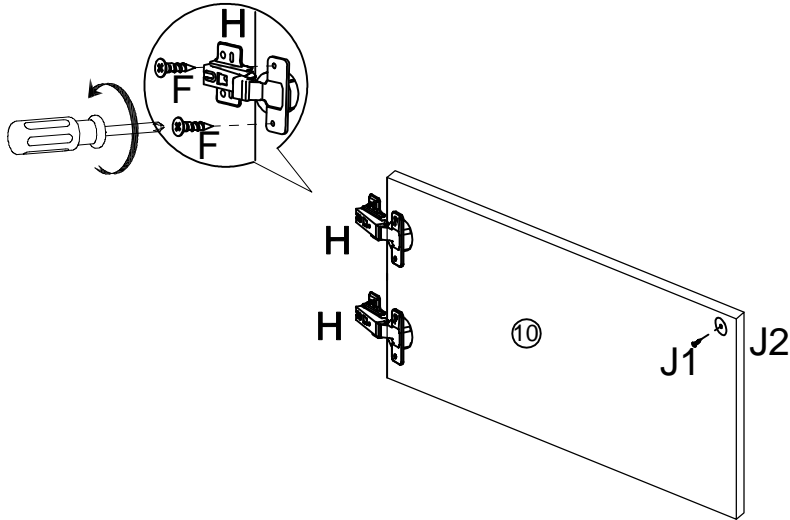
F M3.5×14mm  4PCS	H  2PCS	J1  1PC	J2  1PC
--	---	---	---





14



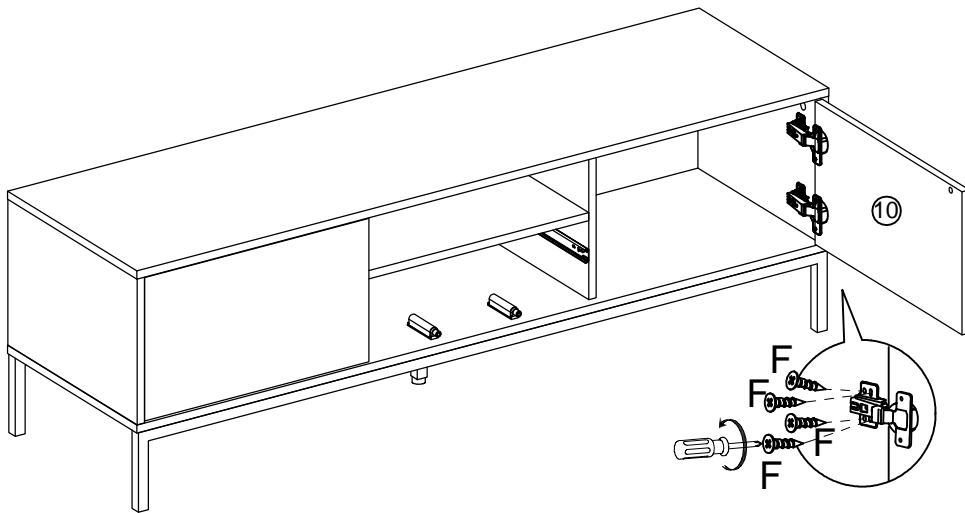
F M3.5×14mm  8PCS
--


15



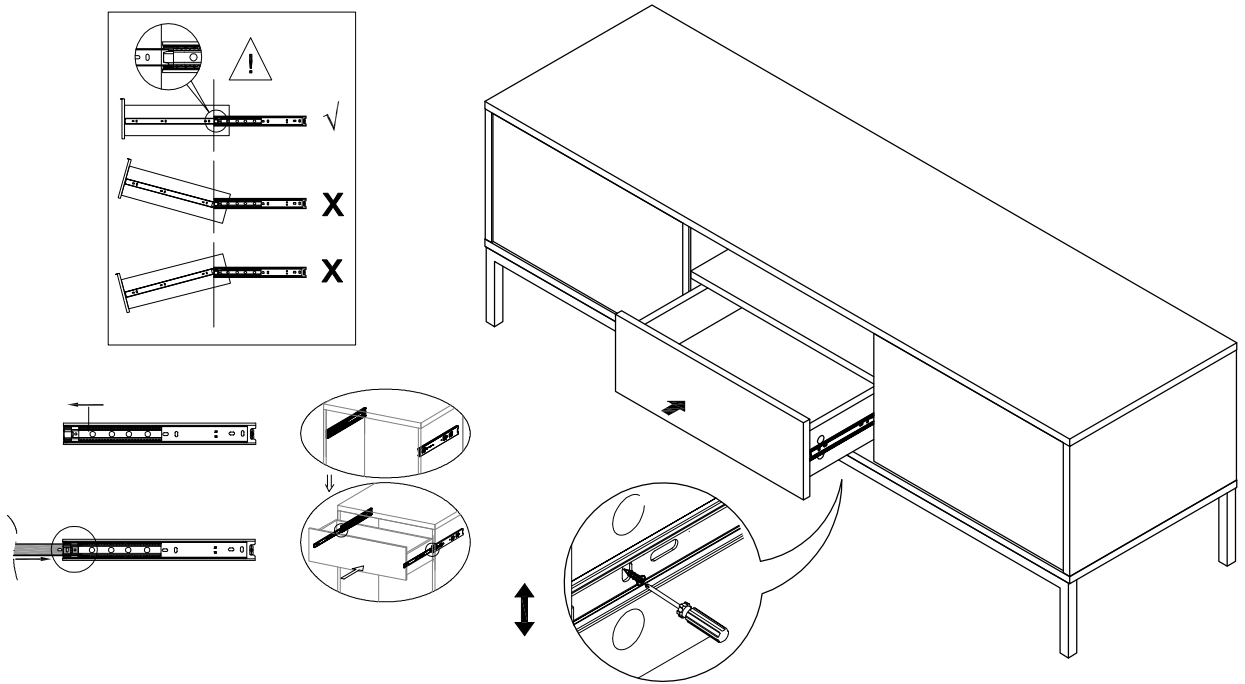
F M3.5×14mm  4PCS	H  2PCS	J1  1PC	J2  1PC
--	---	---	---

16

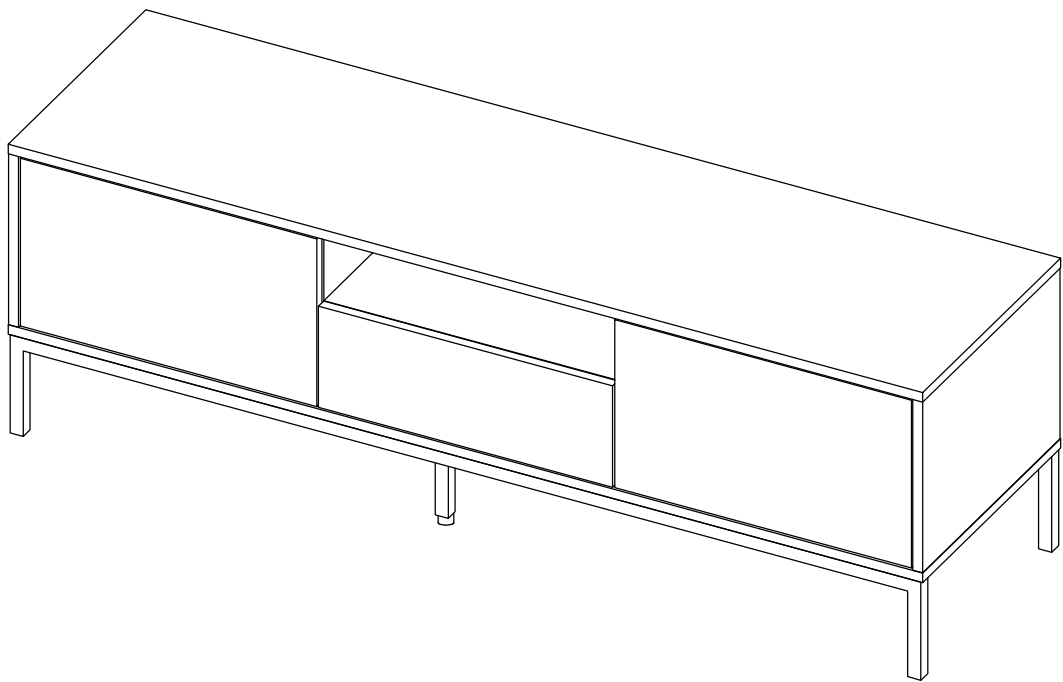


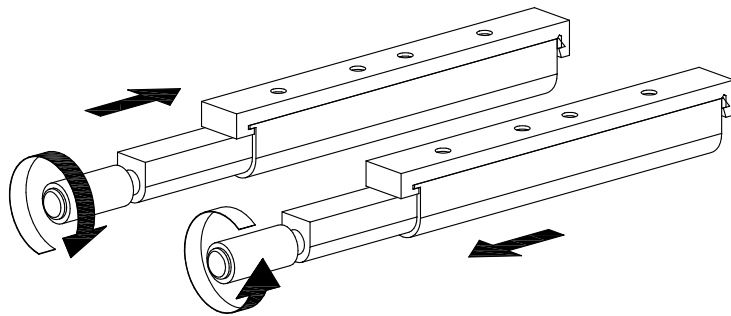
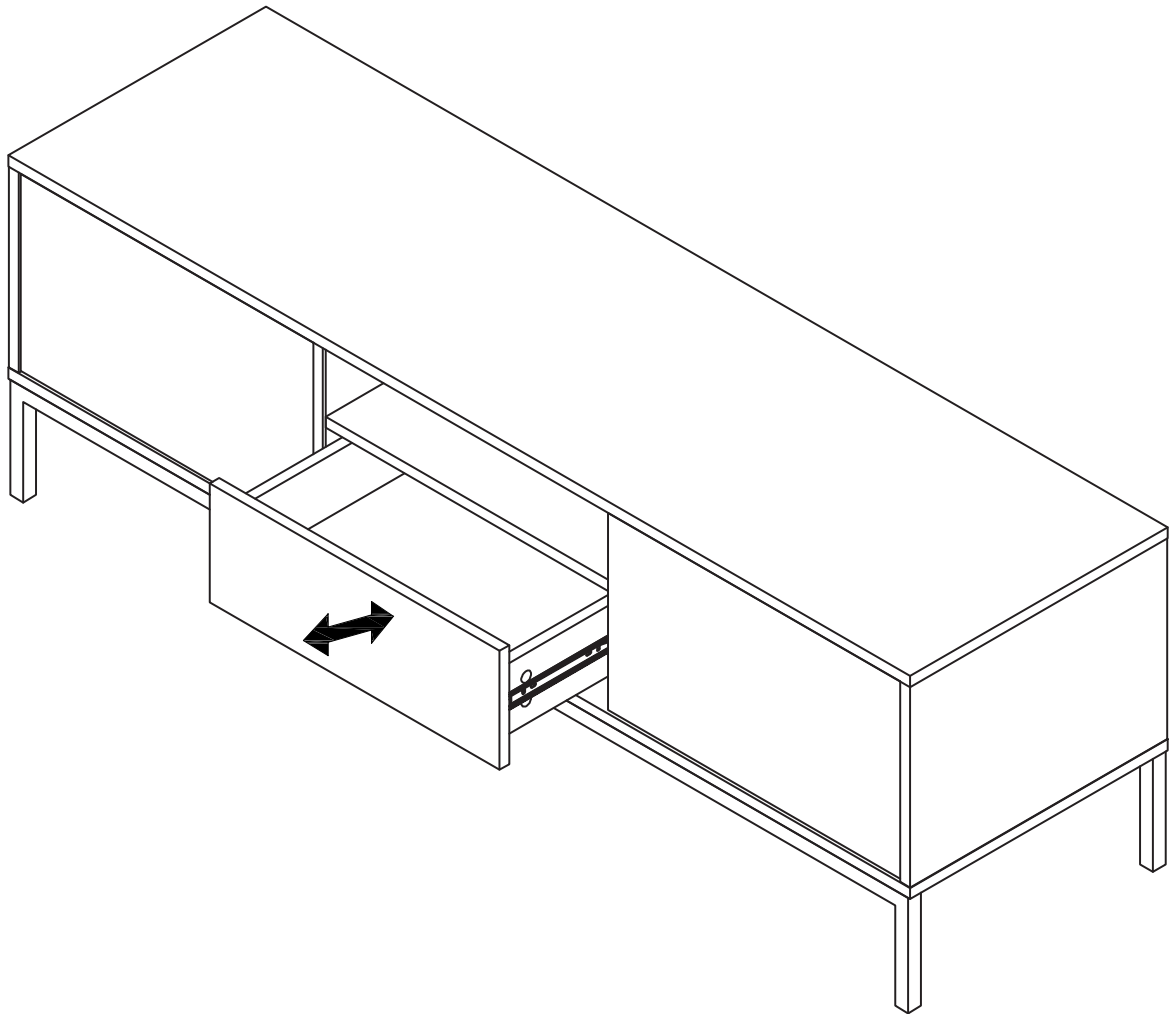
F M3.5×14mm  8PCS
--

17



18

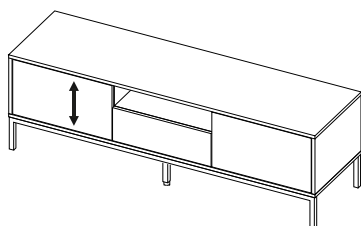
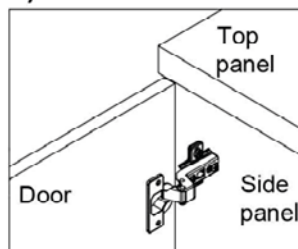




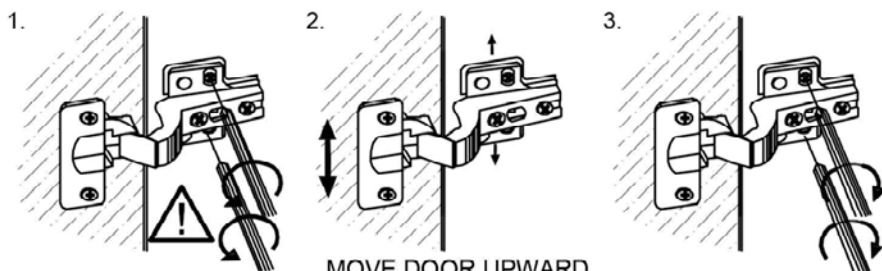


TO ADJUST YOUR DOORS TO MAKE THE GAPS MORE EVEN (OPTIONAL).

**STEP 14.1
Open the door.**



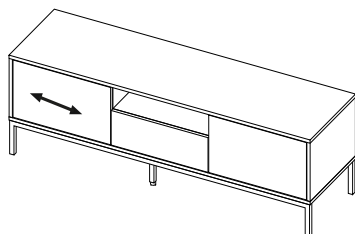
STEP 14.2
Adjust the door panels upward or downward



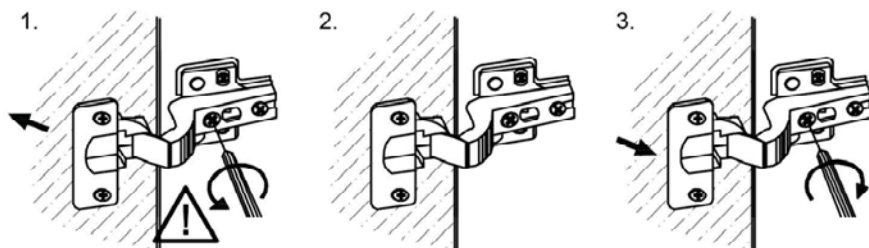
1. Unscrew 2 screws in round holes
Loosen 2 screws in oval holes a bit.

MOVE DOOR UPWARD OR DOWNWARD

3. Tighten 2 screws in oval holes.
Screw in 2 screws in round holes



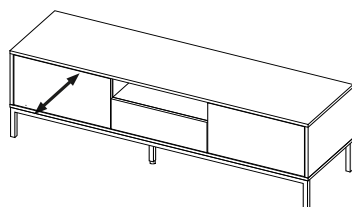
STEP 14.3
Adjust the flush between door panel and side panel



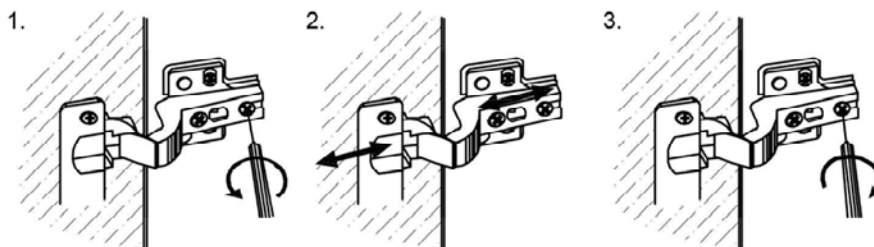
1. MOVE DOOR OUTWARD by turning this screw counter-clockwise

KEEP DOOR IN RIGHT POSITION

3. MOVE DOOR OUTWARD by turning this screw clockwise



STEP 14.4
Adjust the gap between door panel and side panel



1. Loosen this screw a bit.

MOVE DOOR BACK OR FORTH

3. Re-tighten this screw.