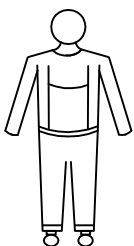
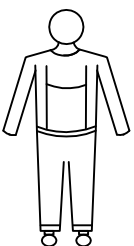
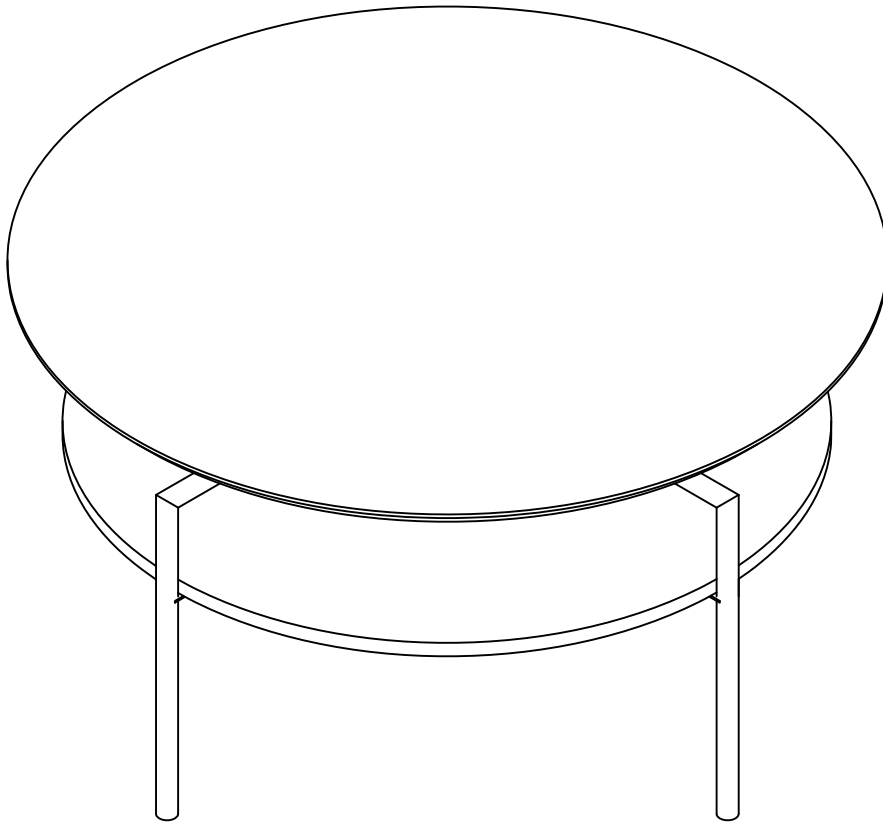
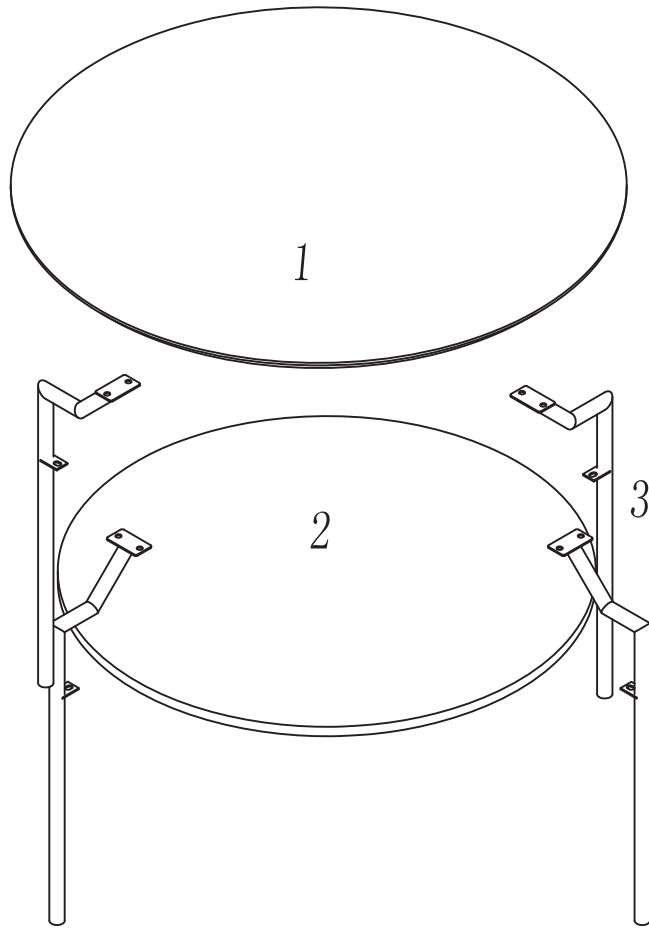
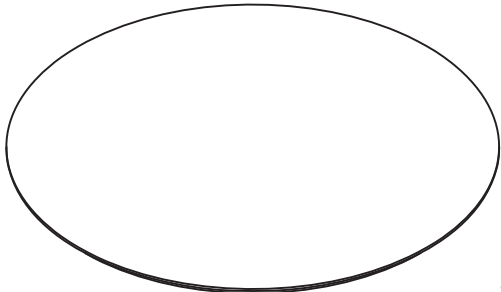
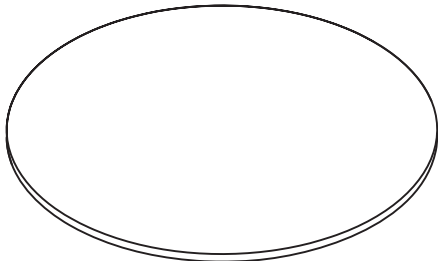
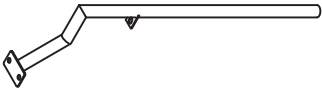





---

GOLDINGTON




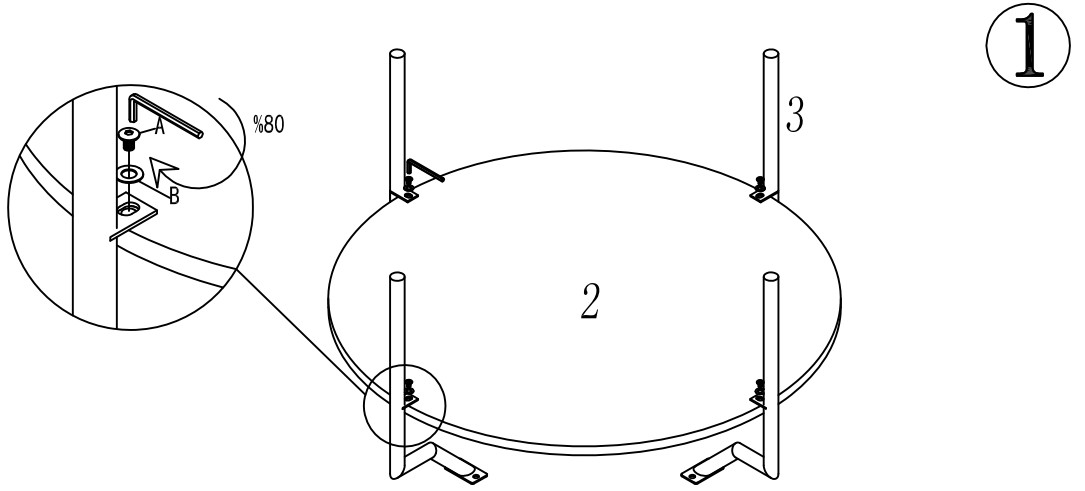


<p>1</p>  <p>X1</p>	<p>2</p>  <p>X1</p>
<p>3</p>  <p>X4</p>	



<p>M5*12 A*12</p> 	<p>φ10*φ7 B*12</p> 	<p>M4 C*1</p> 
---	--	---

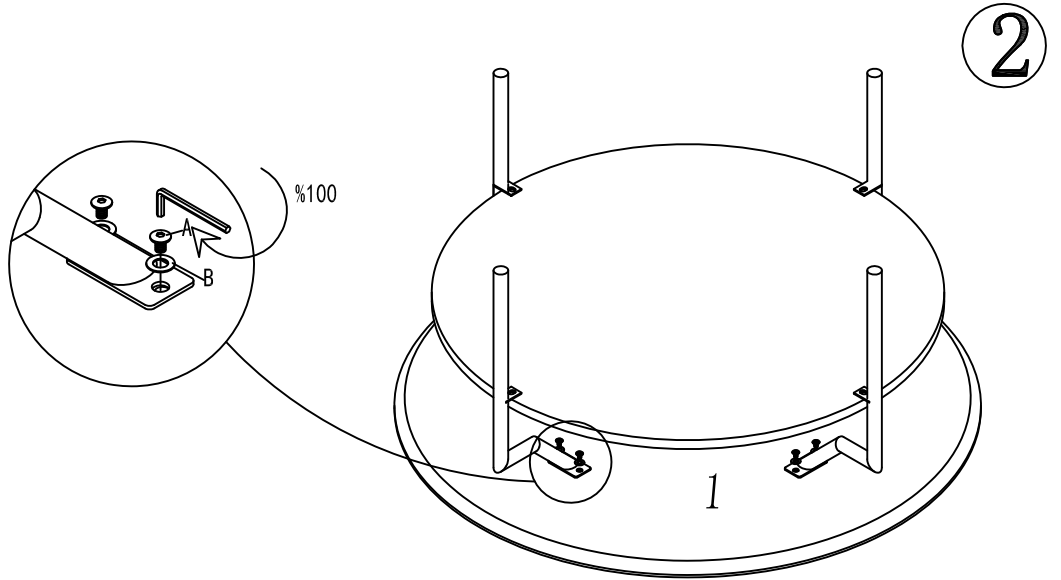
M5*12 A*4

$\phi 10 * \phi 7$ B*4

M4 C*1

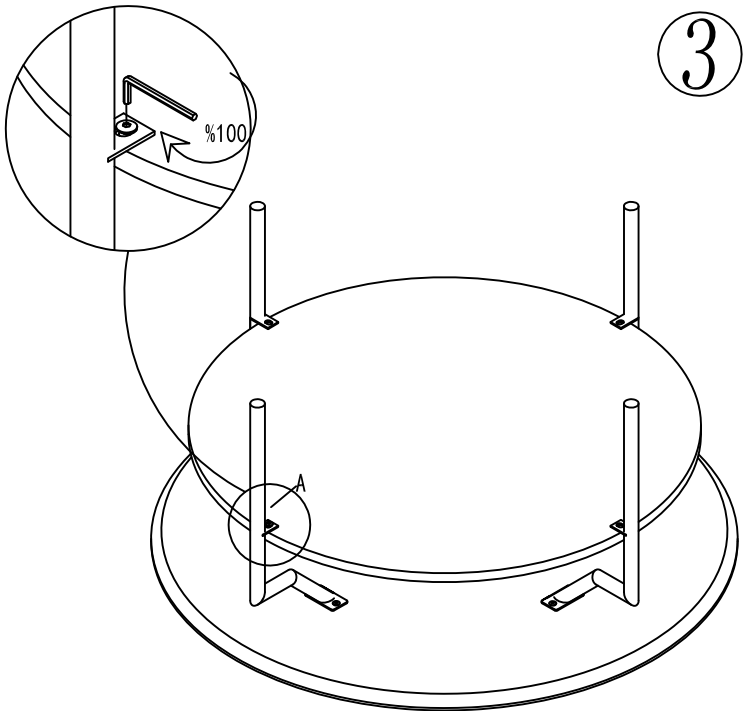



1

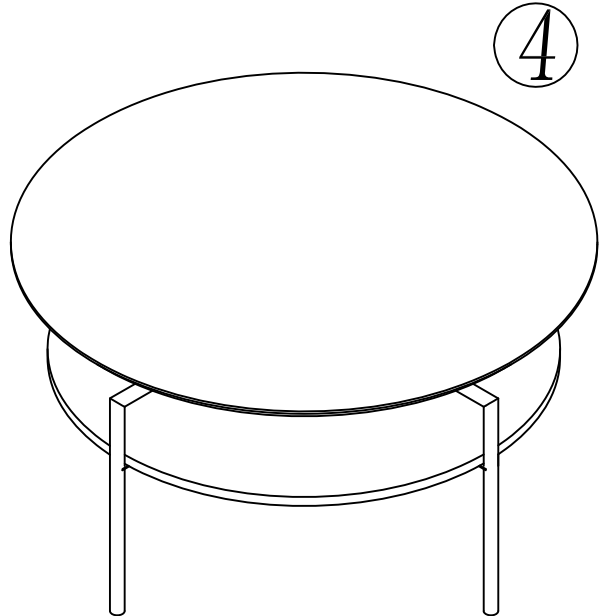
M5*12 A*8

$\phi 10 * \phi 7$ B*8




2



3



4