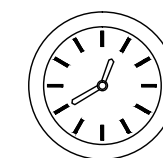
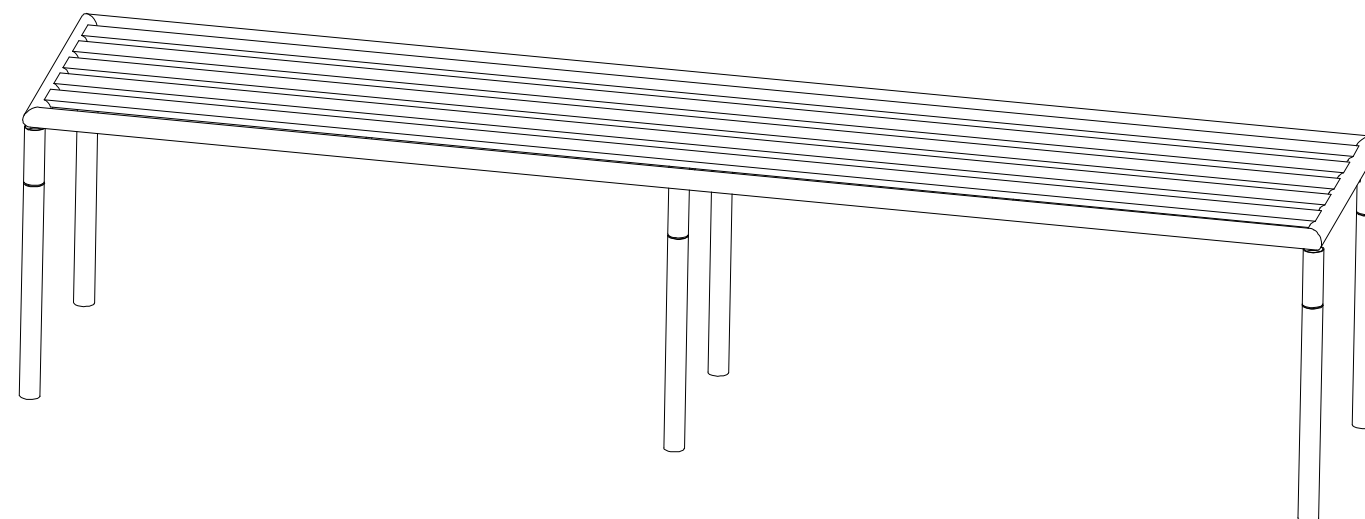


# Jotex

- ART NO: 1572870-01-0
- ART NO: 1572870-02-0
- ART NO: 1572870-03-0
- ART NO: 1572870-04-0
- ART NO: 1572870-05-0
- ART NO: 1572870-06-0



15MIN

