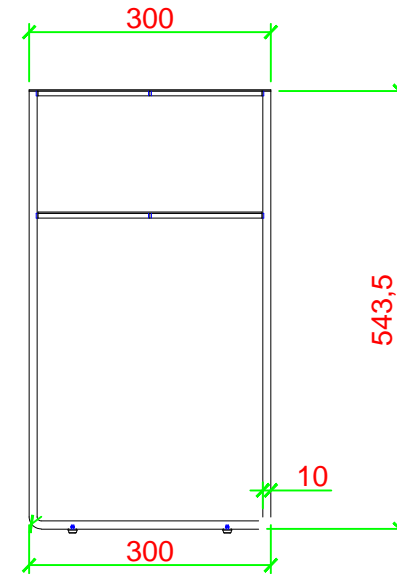
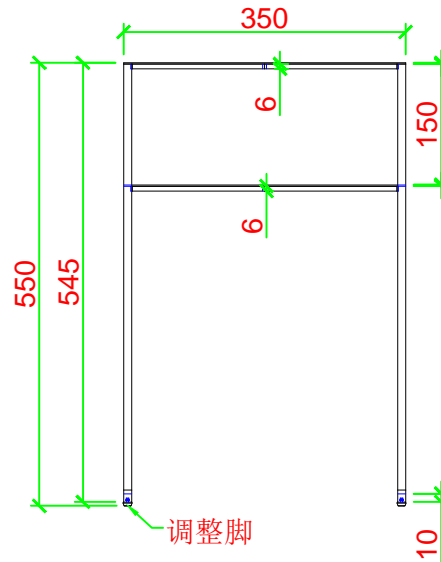
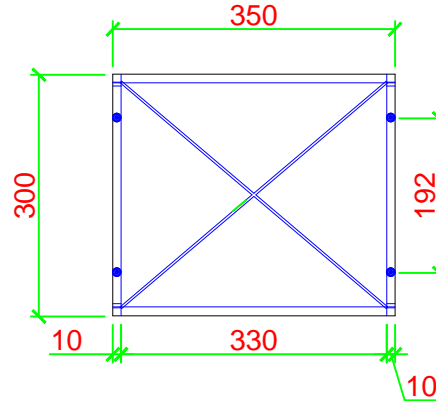
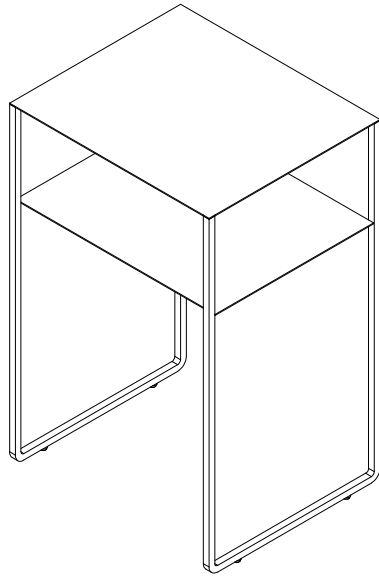


图纸更新于8/28



EL边桌：350*300*550mm(金属架-实心方铁+铁板\烤漆磨沙黑色)



CONFIDENTIAL

THE CONTENT OF THIS DOCUMENT ARE PROPRIETARY TO DMX GROUP LIMITED AND SHALL NOT BE DISCLOSED, DISSEMINATED, COPIED, DUPLICATED OR USED EXCEPT FOR THE PURPOSES AUTHORIZED BY CONTRACT OR OTHERWISE EXPRESSLY AUTHORIZED IN WAITING.

日期	版本
2019.03.22	V.01

产品编号:	
产品名称:	

数量:	
页码:	

材料:	N/A
表面处理:	N/A

绘图人员:	伟
审核人员:	