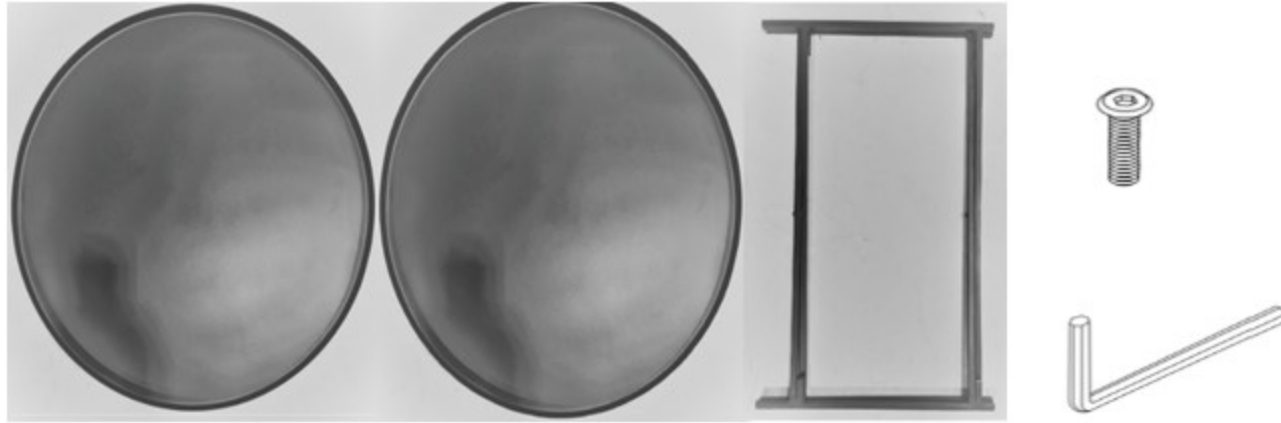


# Assembly Instruction

## 1573050-01-0



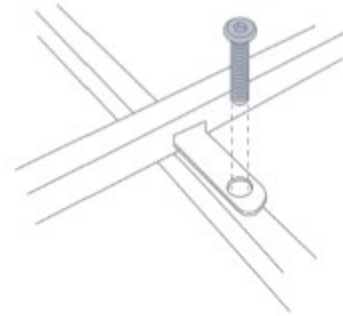
Parts of Table



Open The Stand



Put Plate on bottom Side



Align Hole on frame  
and Screwed it



Put other Plate on Top  
on stand to complete.