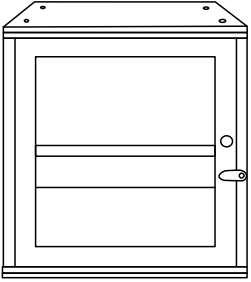
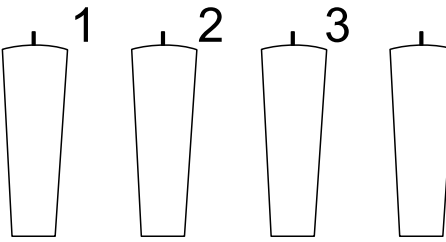
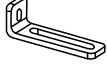



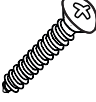



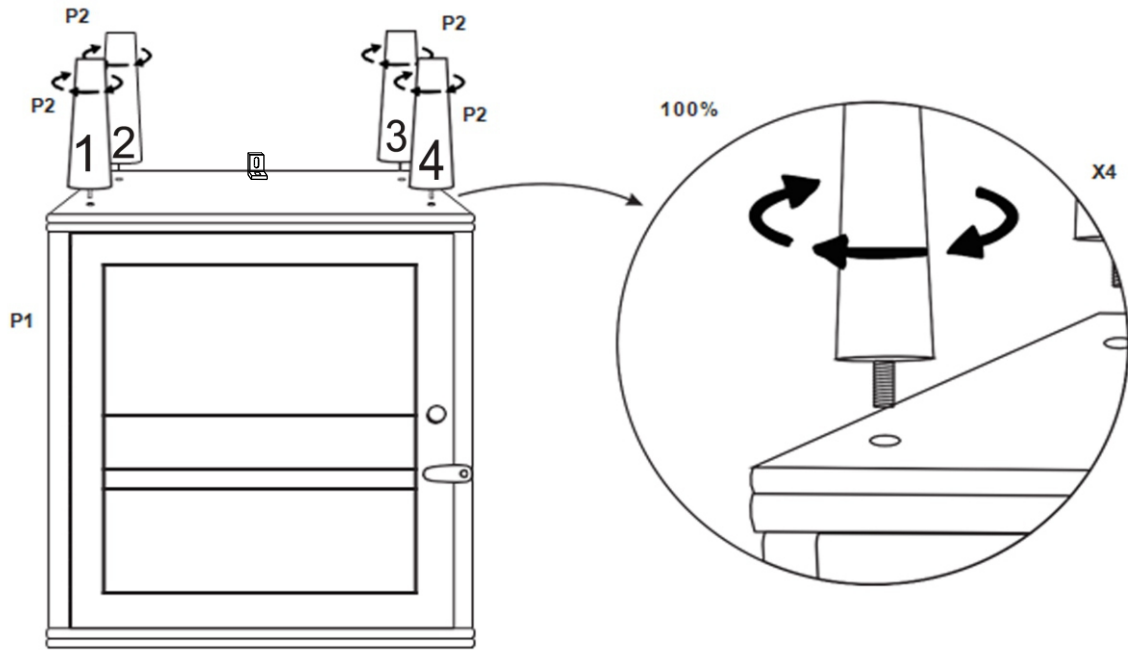
# ASSEMBLY INSTRUCTIONS

ITEM NO. - 1573801-01-0

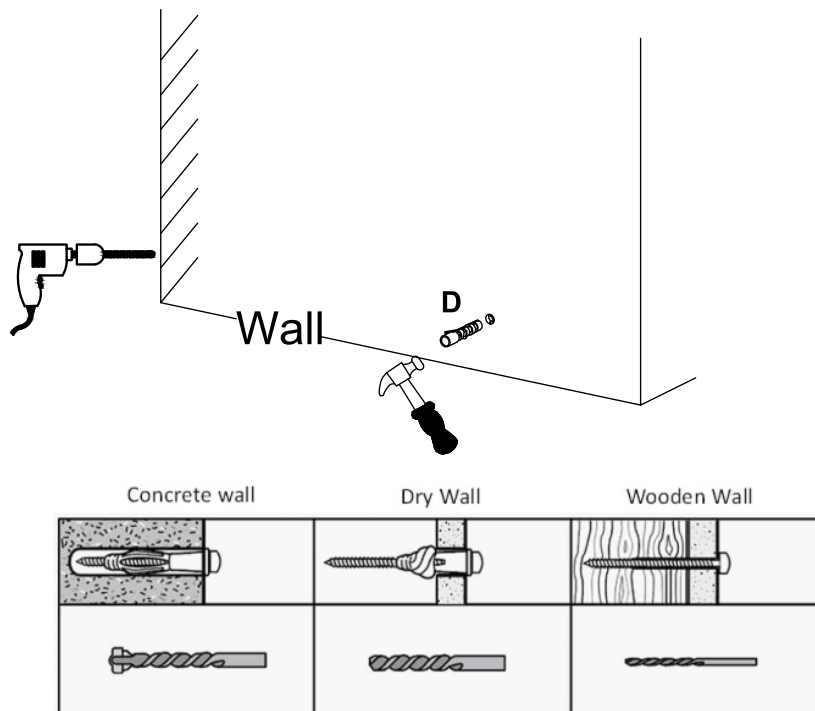
## PARTS LIST

<p>P1x1</p> 	<p>P2x4</p> 	<p>A x 1</p>  <p>90X45MM</p>	<p>B x 1</p>  <p>M6X15</p>	<p>C x 1</p>  <p>M6X16</p>
		<p>D x 1</p>  <p>M3X35</p>	<p>E x 1</p>  <p>M3X30</p>	<p>F x 1</p>  <p>ALLEN KEY</p>

## STEP-1

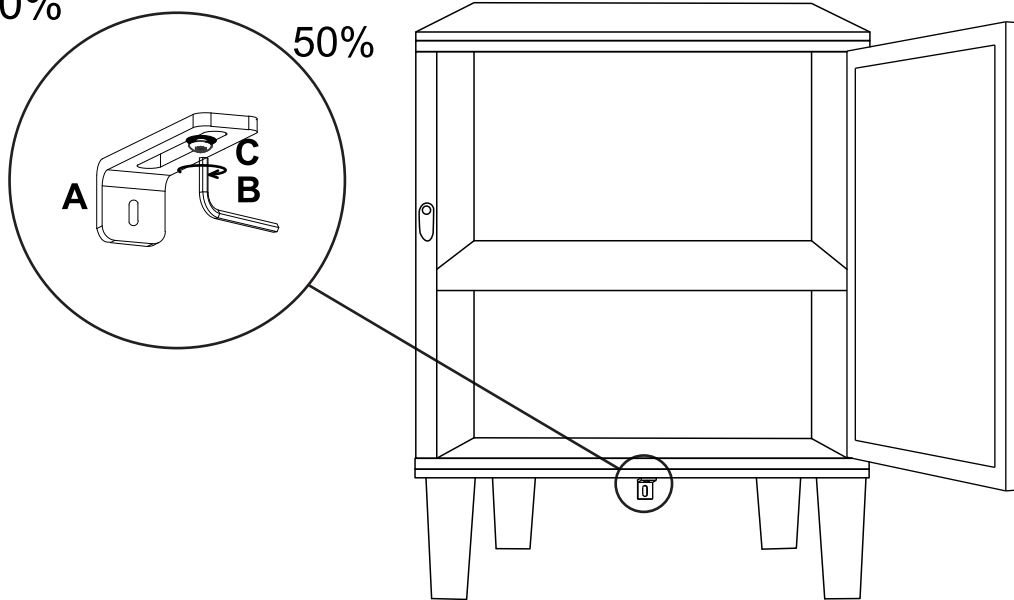


## STEP-2



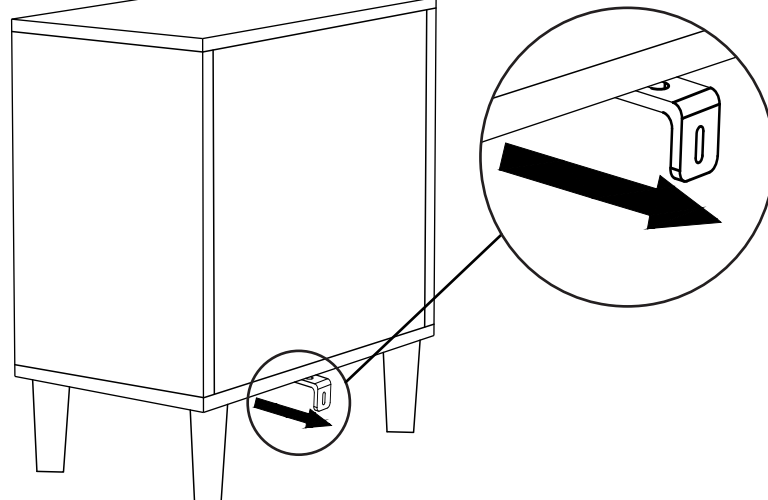
### STEP-3

Loose it 50%

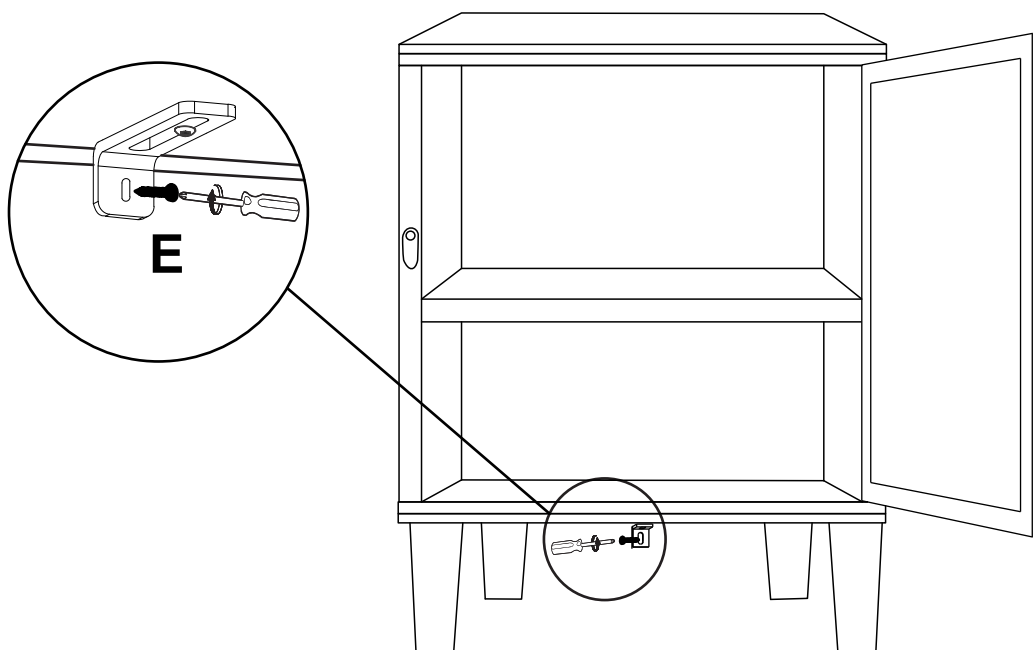


### STEP-4

**BACK SIDE**

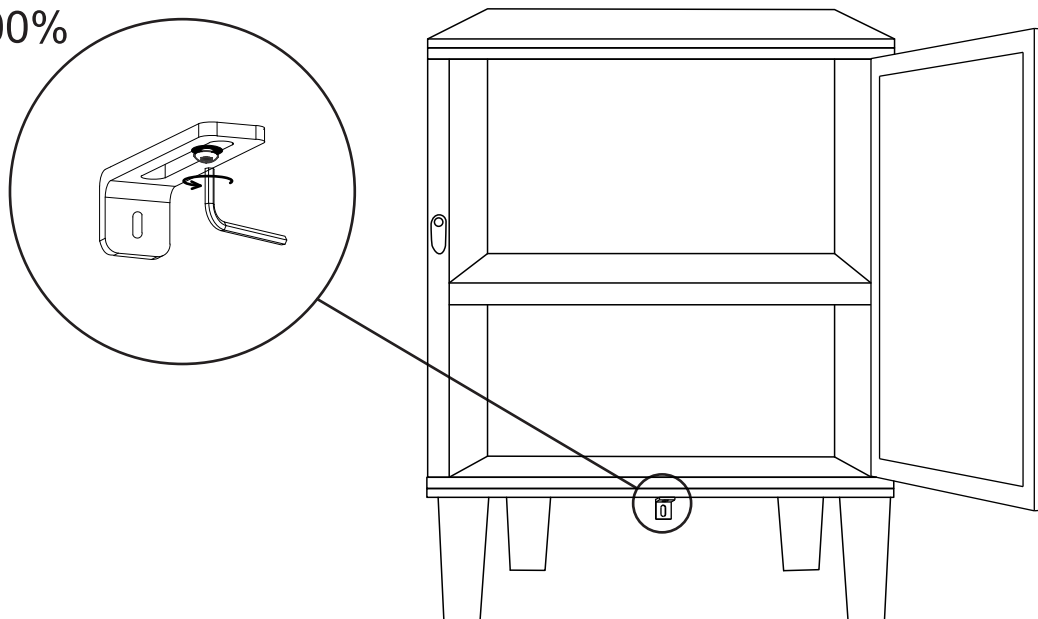


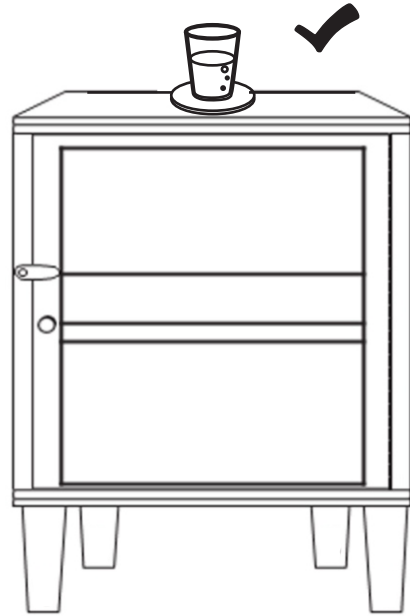
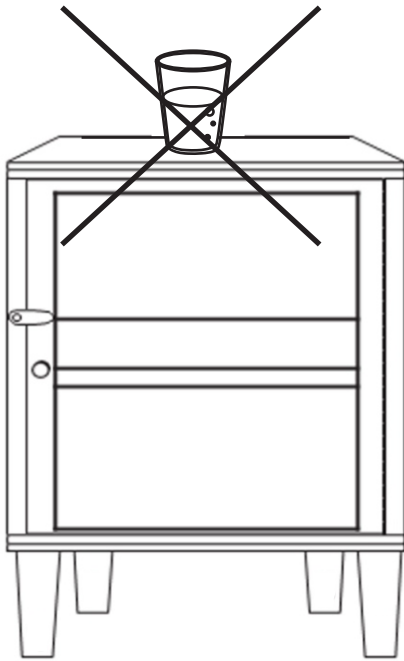
## STEP-5



## STEP-6

Tight it 100%





## STEP-6 ASSEMBLED

READY TO USE

