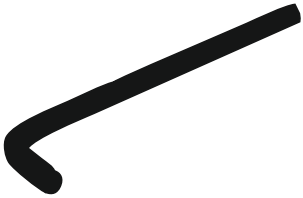


ASSEMBLY INSTRUCTION

Dinner Table

DE-19-689

PARTS-A



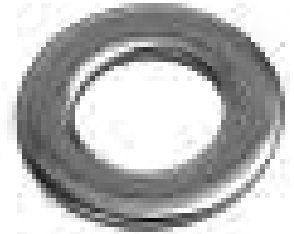
ALLEN KEY - 1 PC

PARTS-B

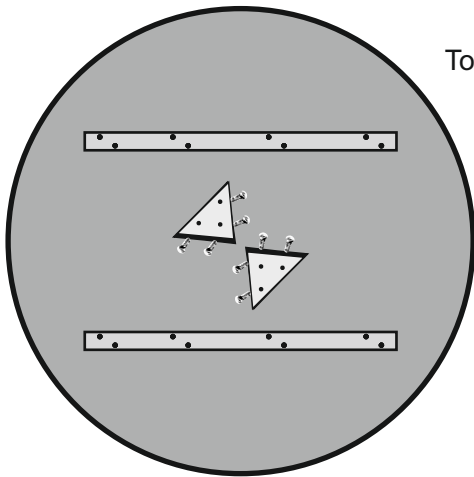


SCREWS - 9 PCS.

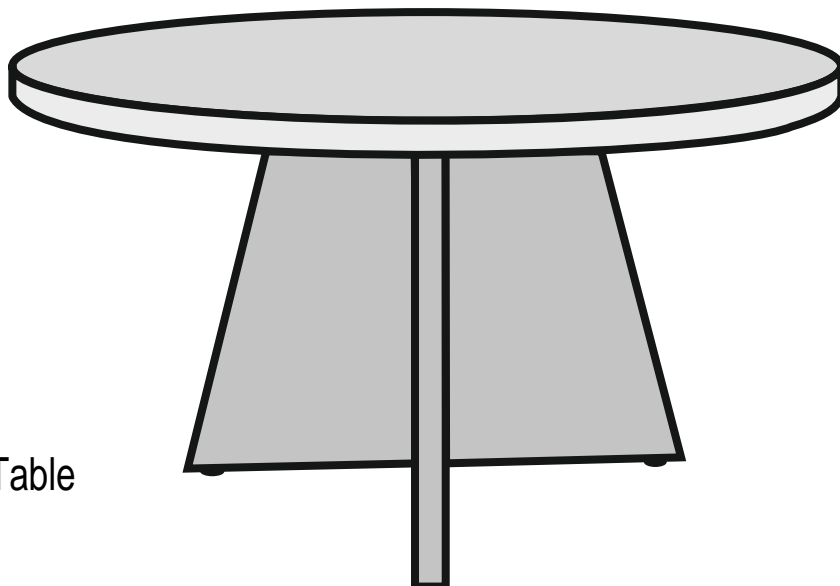
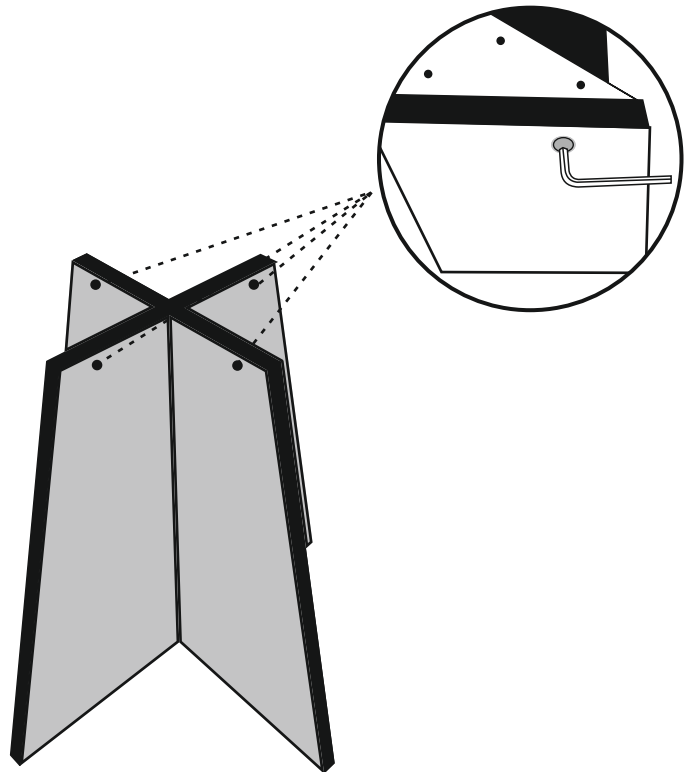
PARTS-C



FLAT WASHER - 9 PCS.



Top Side



Complete Dinner Table