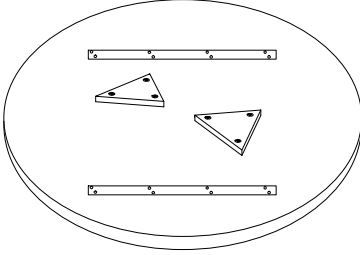
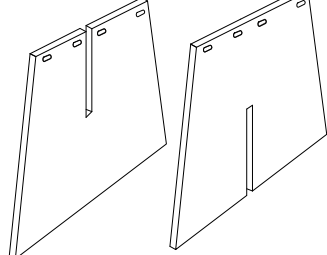
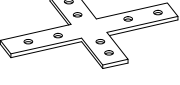


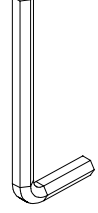




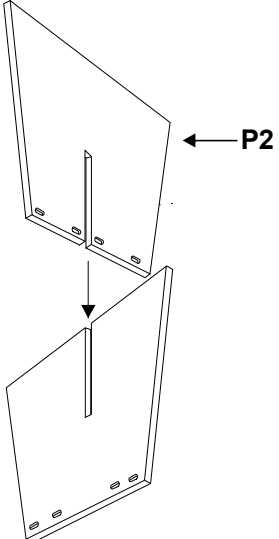
ASSEMBLY INSTRUCTIONS

ITEM NO. - 1573803-01-0

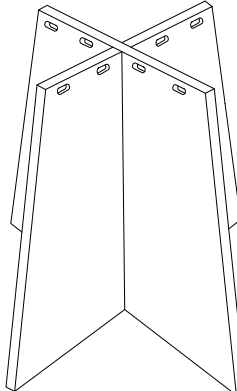
PARTS LIST

| | | | | | | | | | | | |
|-----------------|----------------------------------------------------------------------------------|-----------------|-----------------------------------------------------------------------------------|-----------------|-----------------------------------------------------------------------------------|-------------------------|-------------------------------------------------------------------------------------|-----------------------------|-------------------------------------------------------------------------------------|----------------------|-------------------------------------------------------------------------------------|
| P1 x1 |  | P2 x2 |  | P3 x1 |  | A x8 M8x50 |  | B x8 M8xO.D.10 |  | E x1 #5 |  |
| | | | | | | C x8 M4x25 |  | D x8 M8xO.D.25 |  | | |

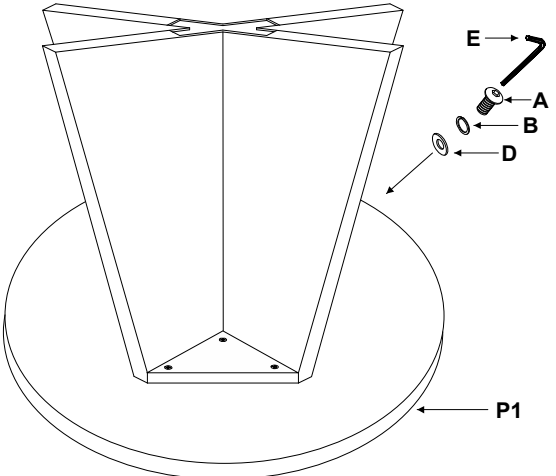
STEP-1



STEP-2

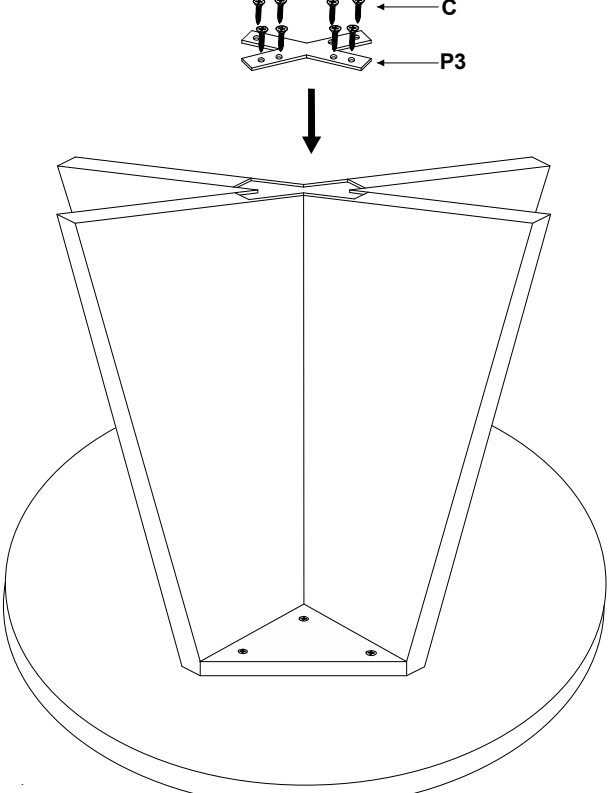


STEP-3 50%



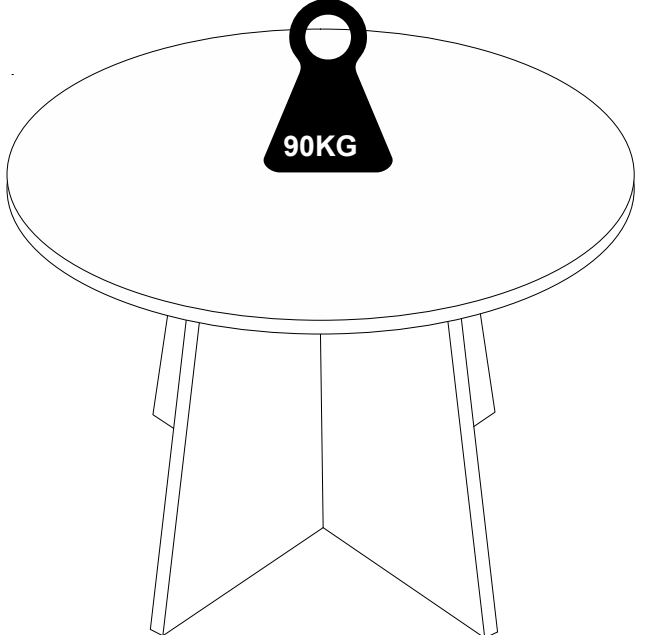
Labels: P1, P2, P3, A, B, C, D, E

STEP-4 100%



Labels: C, P3

LOADABILITY

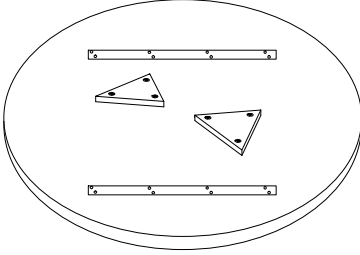
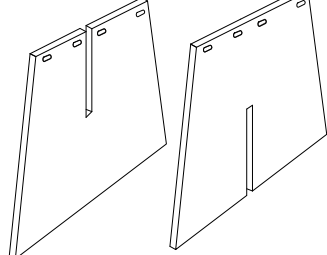
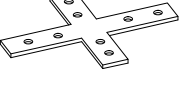


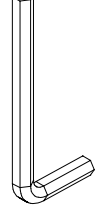




90KG

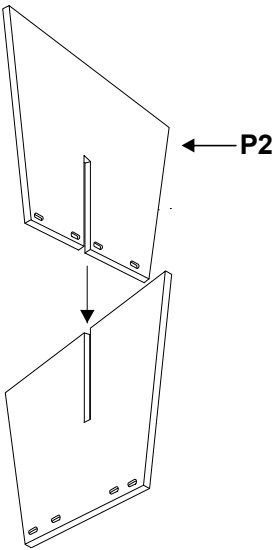
ASSEMBLY INSTRUCTIONS

ITEM NO. - 1573803-02-0

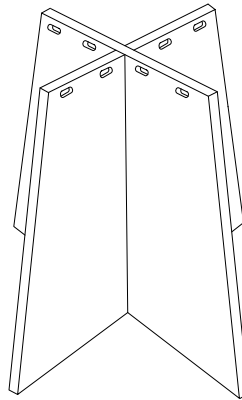
PARTS LIST

| | | | | | | | | | | | |
|-----------------|----------------------------------------------------------------------------------|-----------------|-----------------------------------------------------------------------------------|-----------------|-----------------------------------------------------------------------------------|-------------------------|-------------------------------------------------------------------------------------|-----------------------------|-------------------------------------------------------------------------------------|----------------------|-------------------------------------------------------------------------------------|
| P1 x1 |  | P2 x2 |  | P3 x1 |  | A x8 M8x50 |  | B x8 M8xO.D.10 |  | E x1 #5 |  |
| | | | | | | C x8 M4x25 |  | D x8 M8xO.D.25 |  | | |

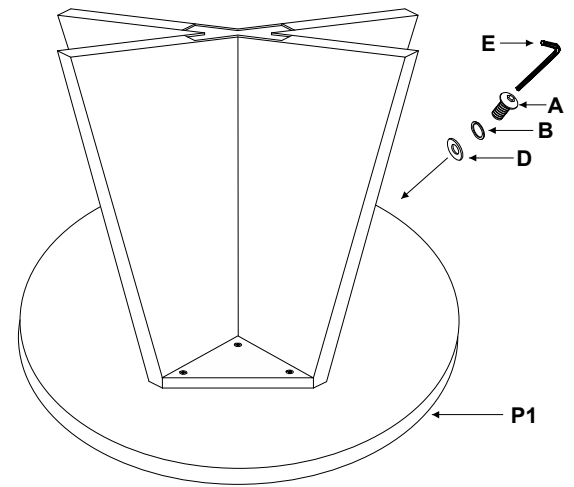
STEP-1



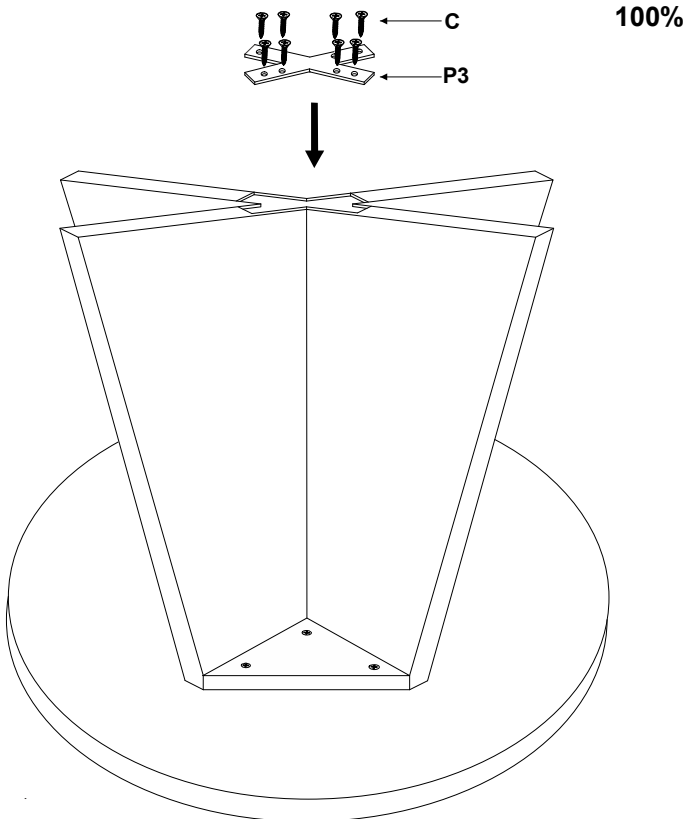
STEP-2



STEP-3



STEP-4



LOADABILITY

