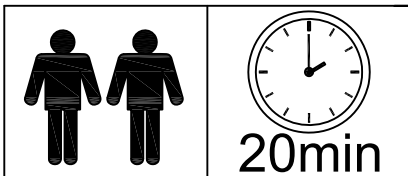
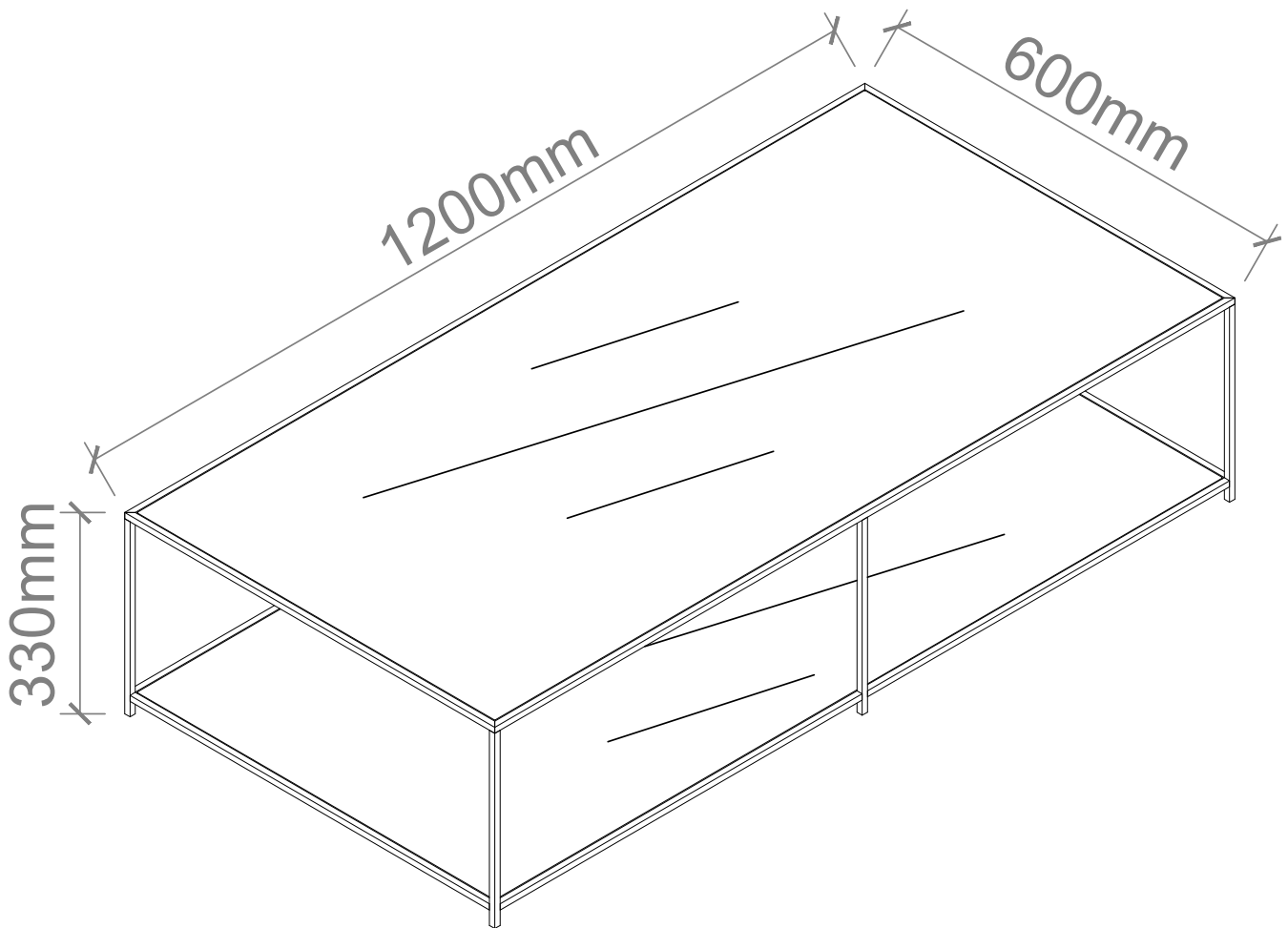
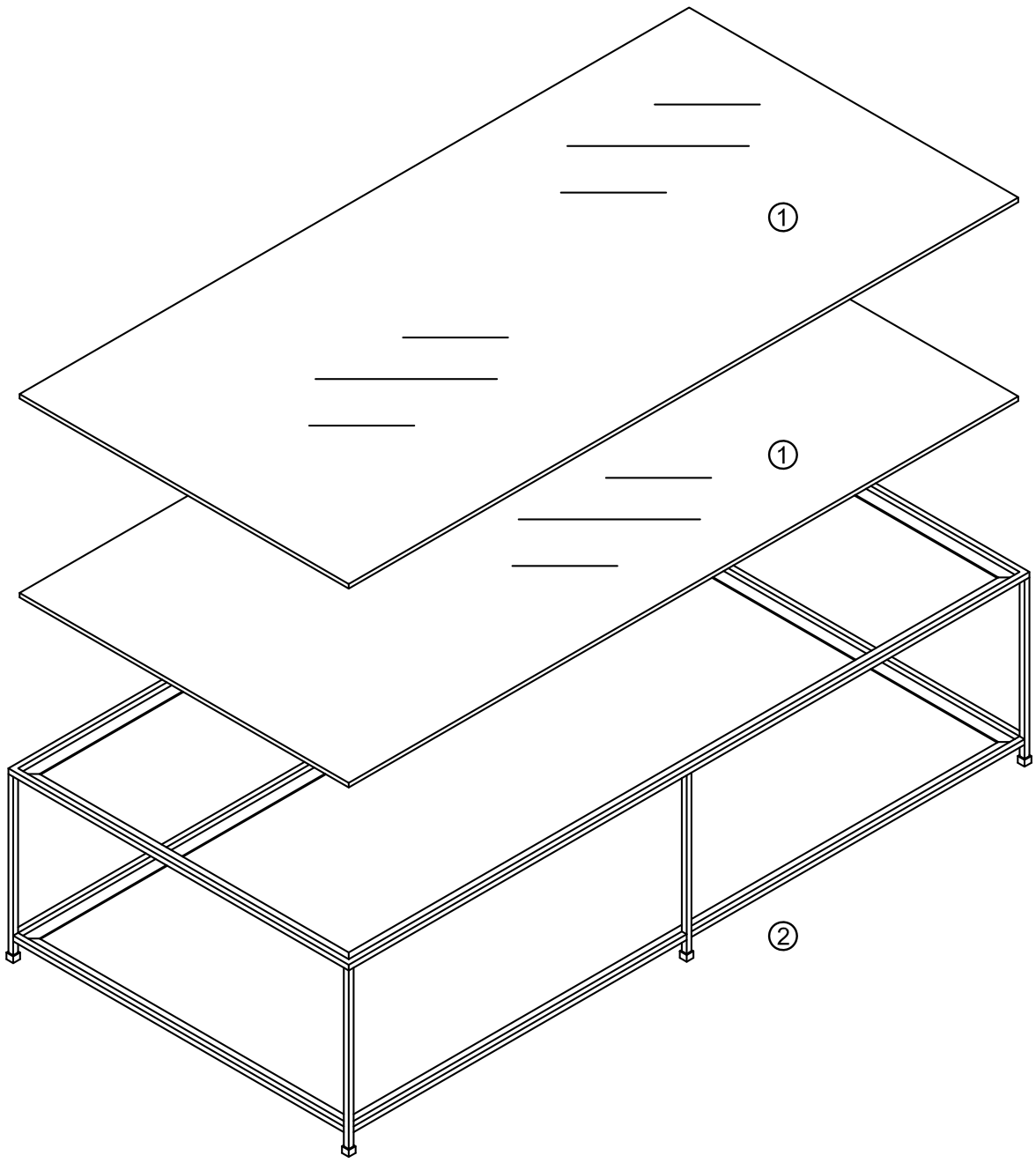


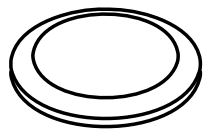
## Assembly Instruction



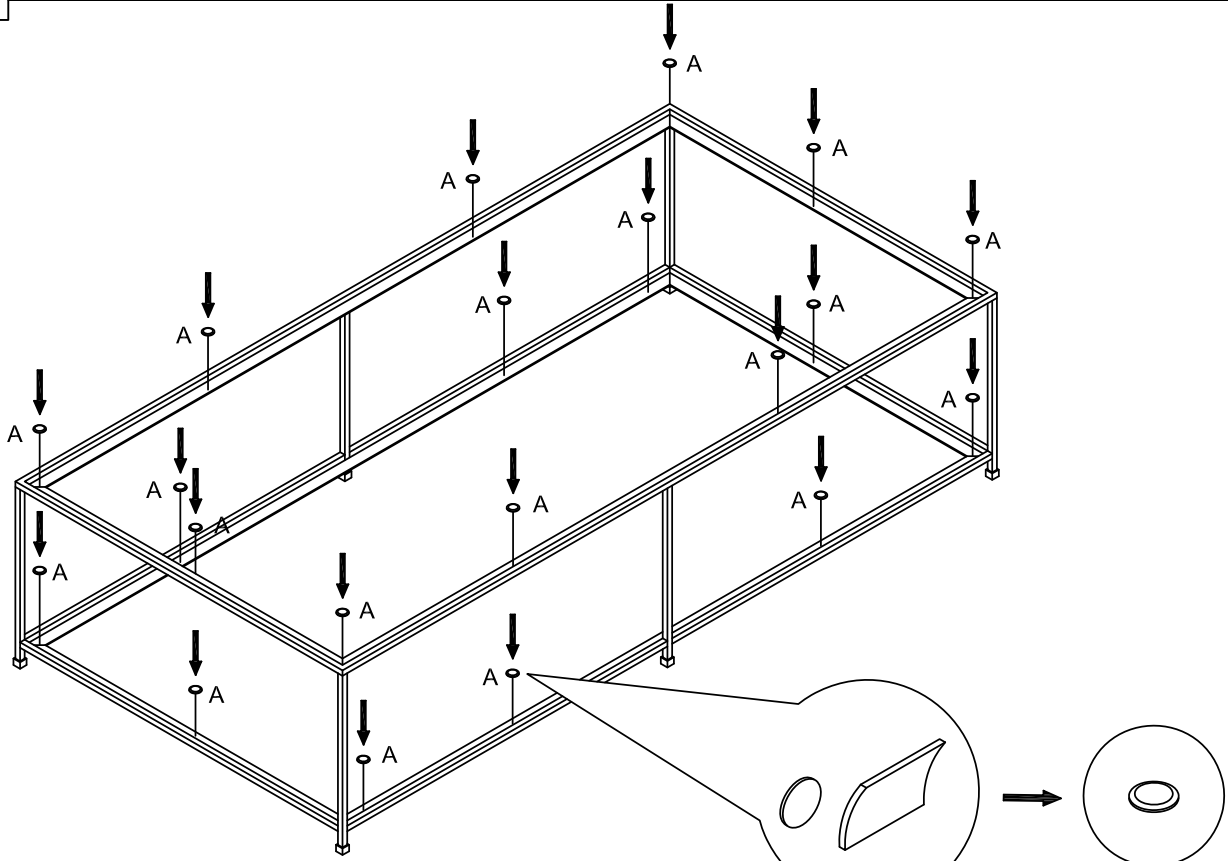
1



**A X 20**



2



**A X 20**



3

