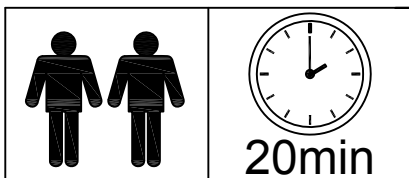
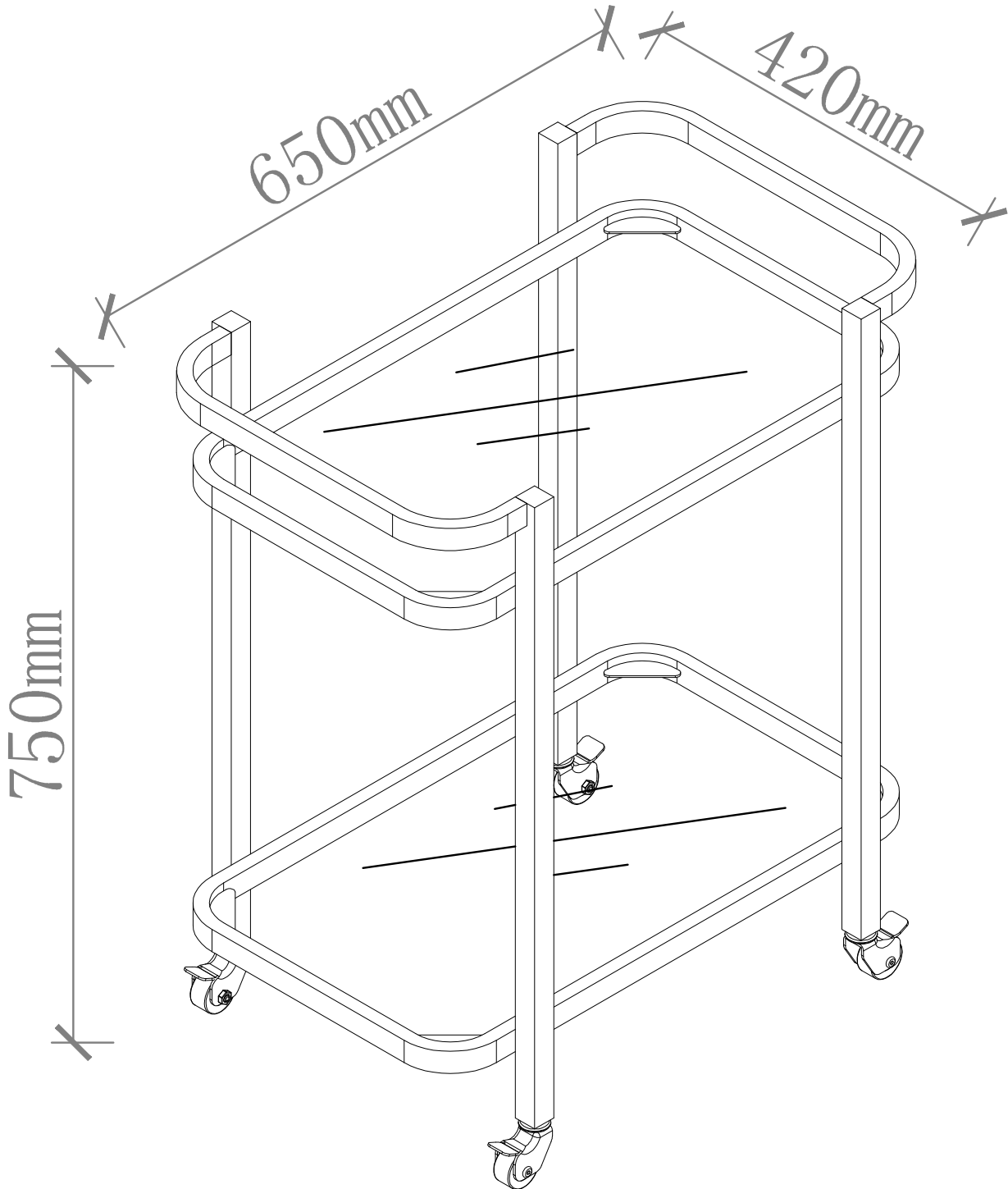
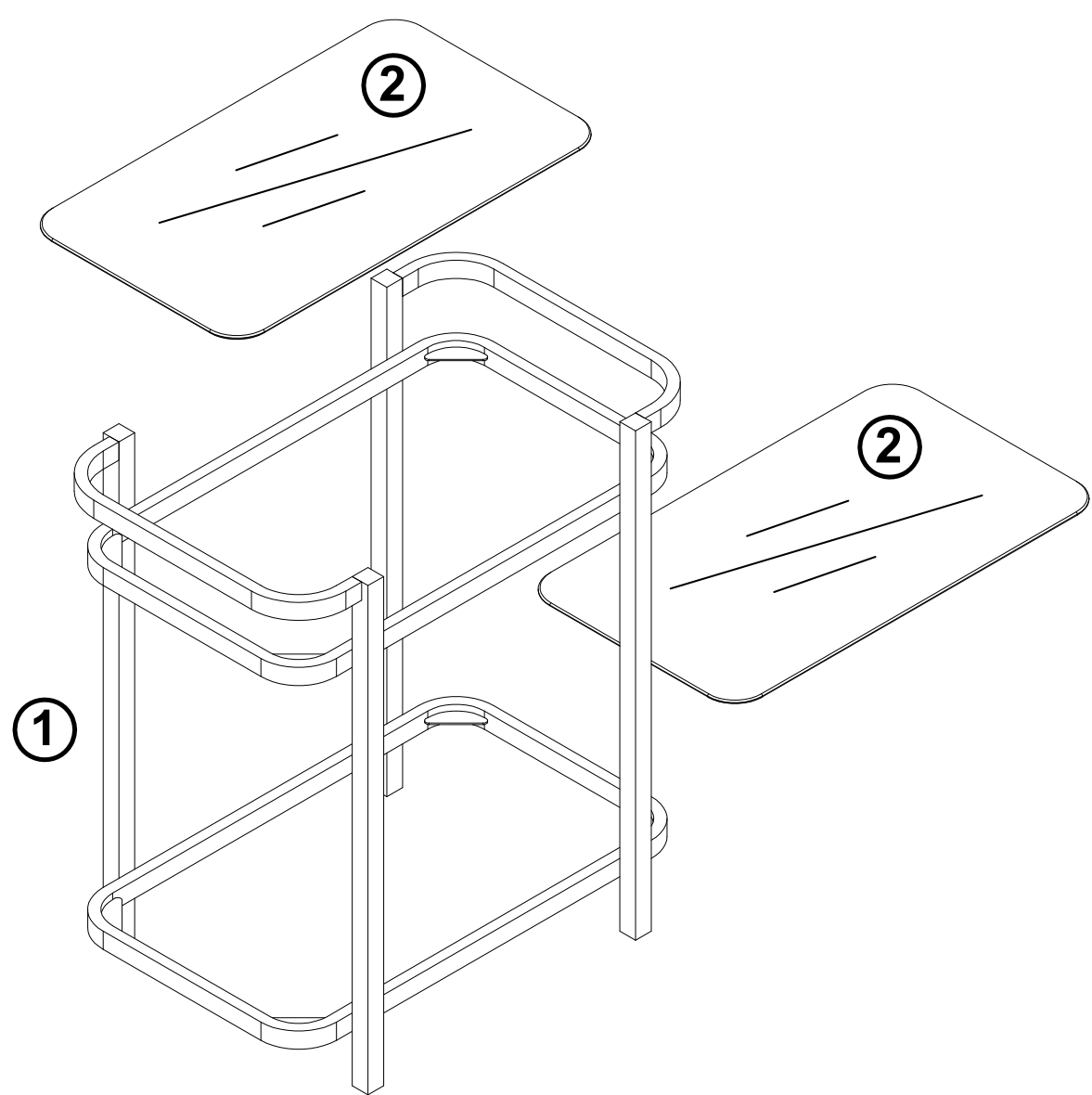
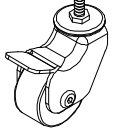
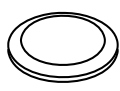
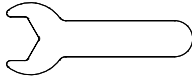


Assembly Instruction

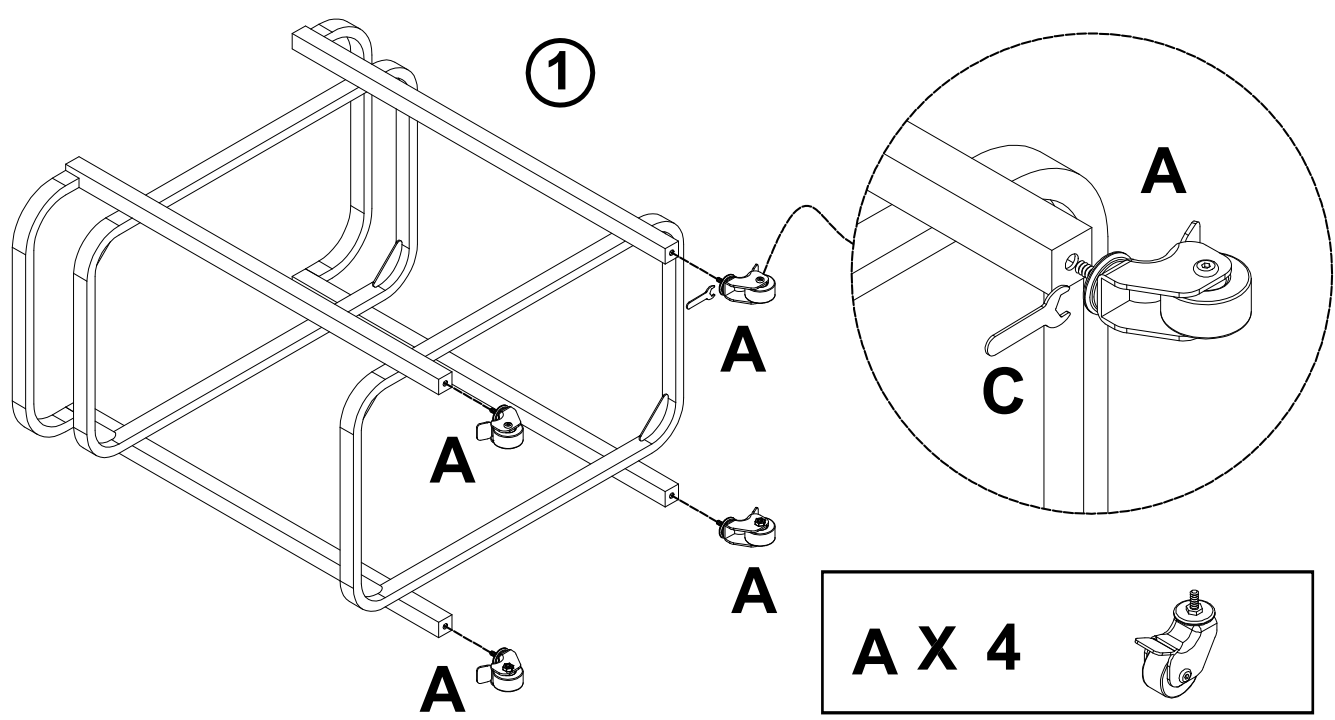


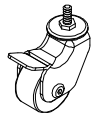
1

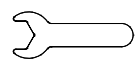


- A X 4** 
- B X 8** 
- C X 1** 

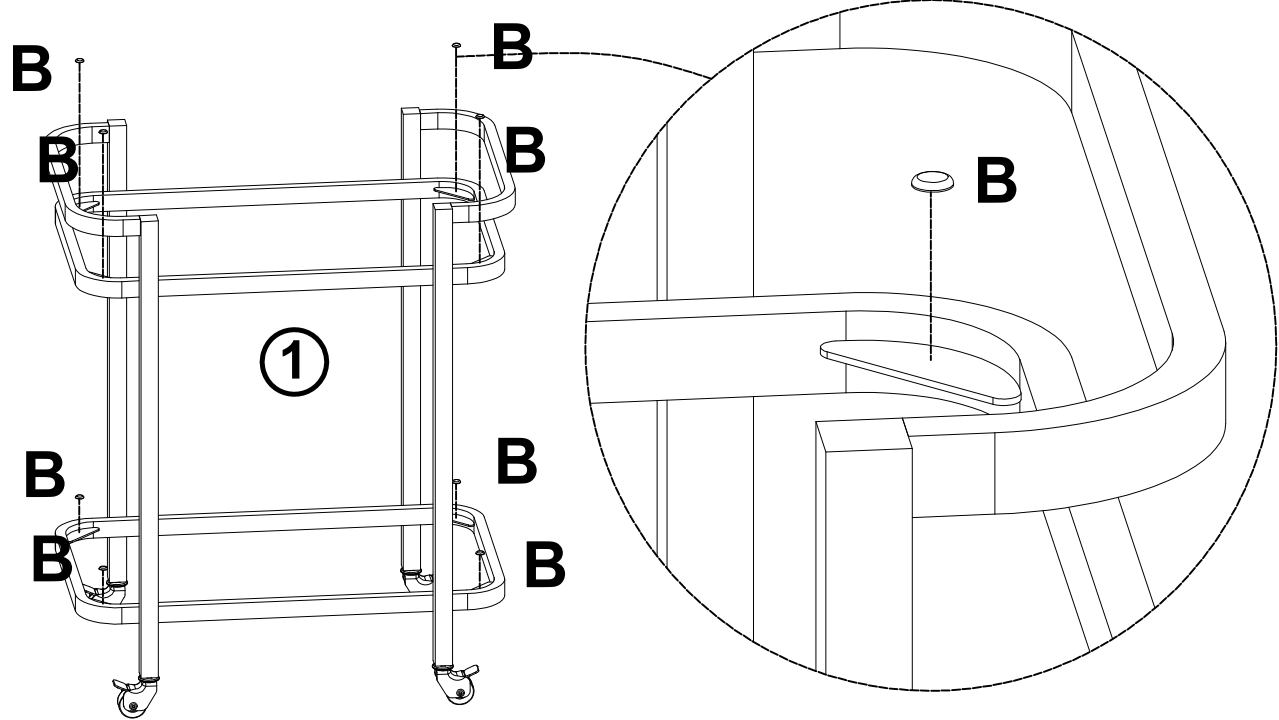
2

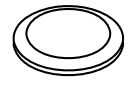


A X 4 

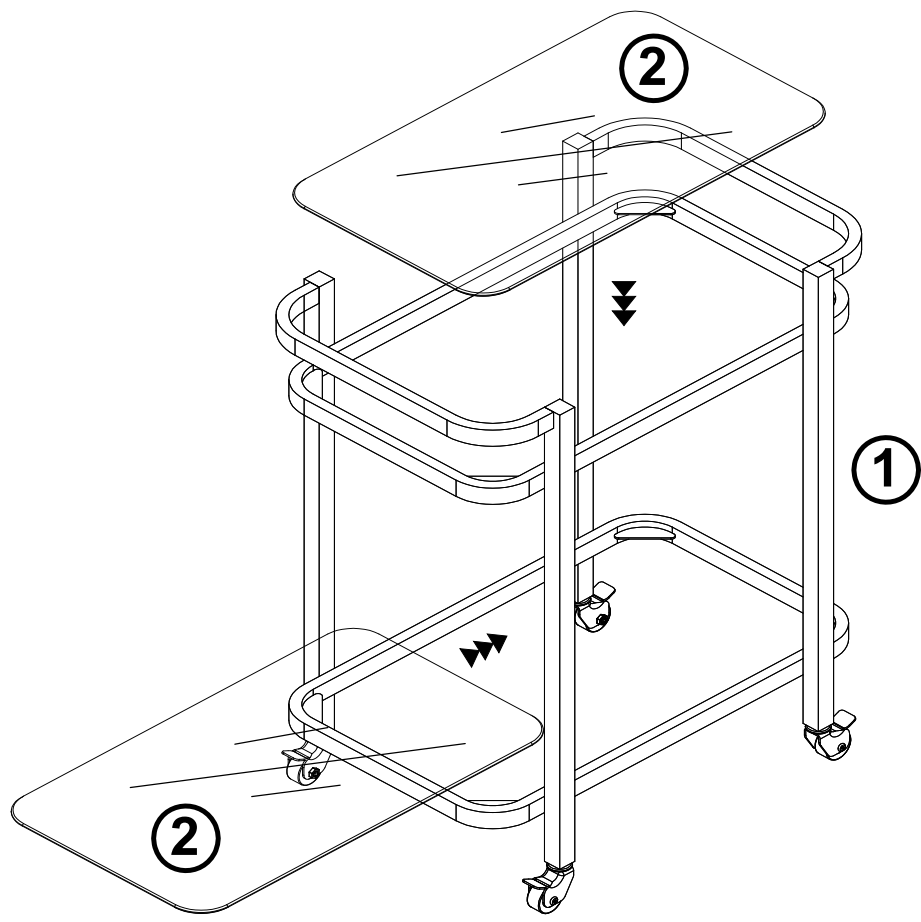
C X 1 

3



B X 8 

4



5

