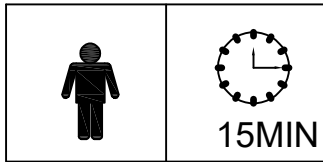
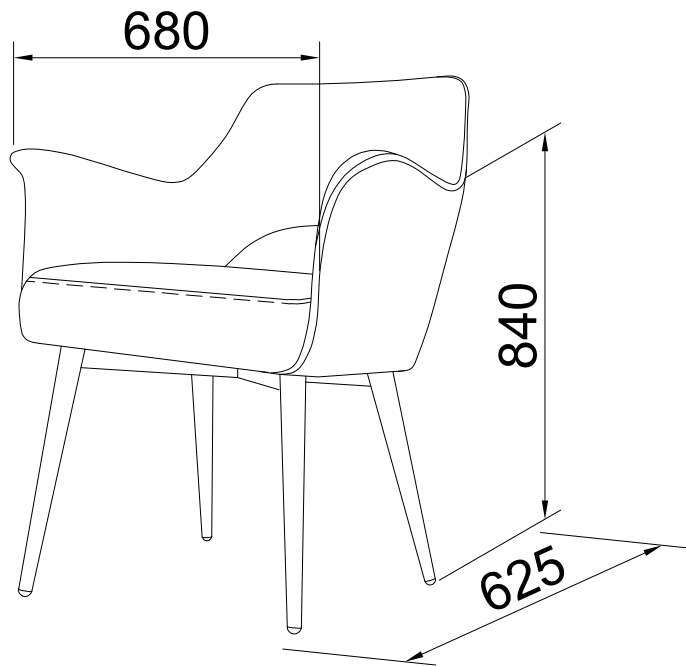
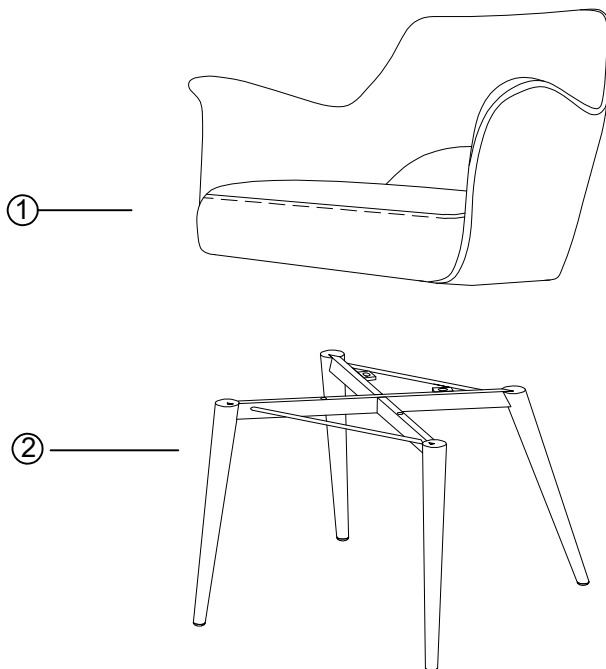


Assembly Instruction



1



Ax2  

Bx2  

Cx1 

Dx4 

2

Ax2



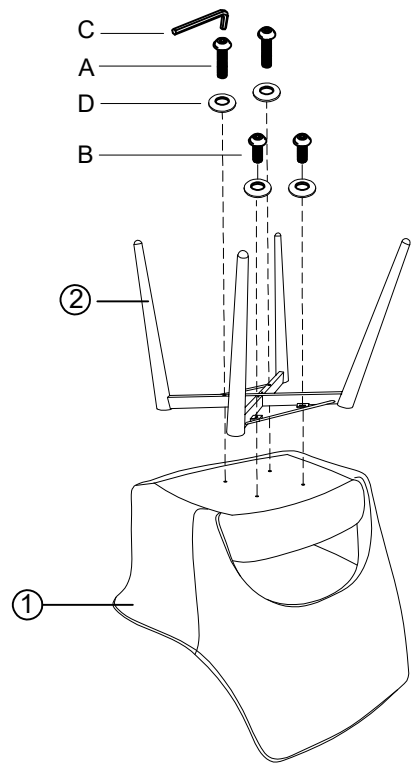
Bx2



Cx1



Dx4



3

