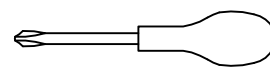
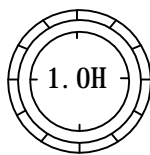
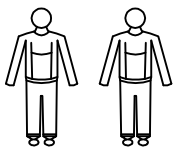
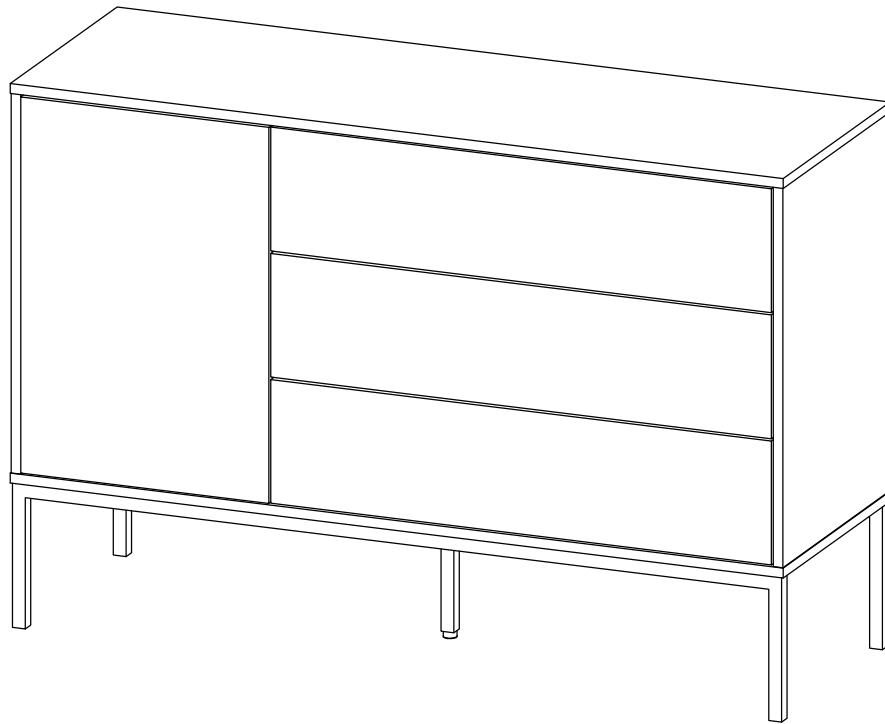
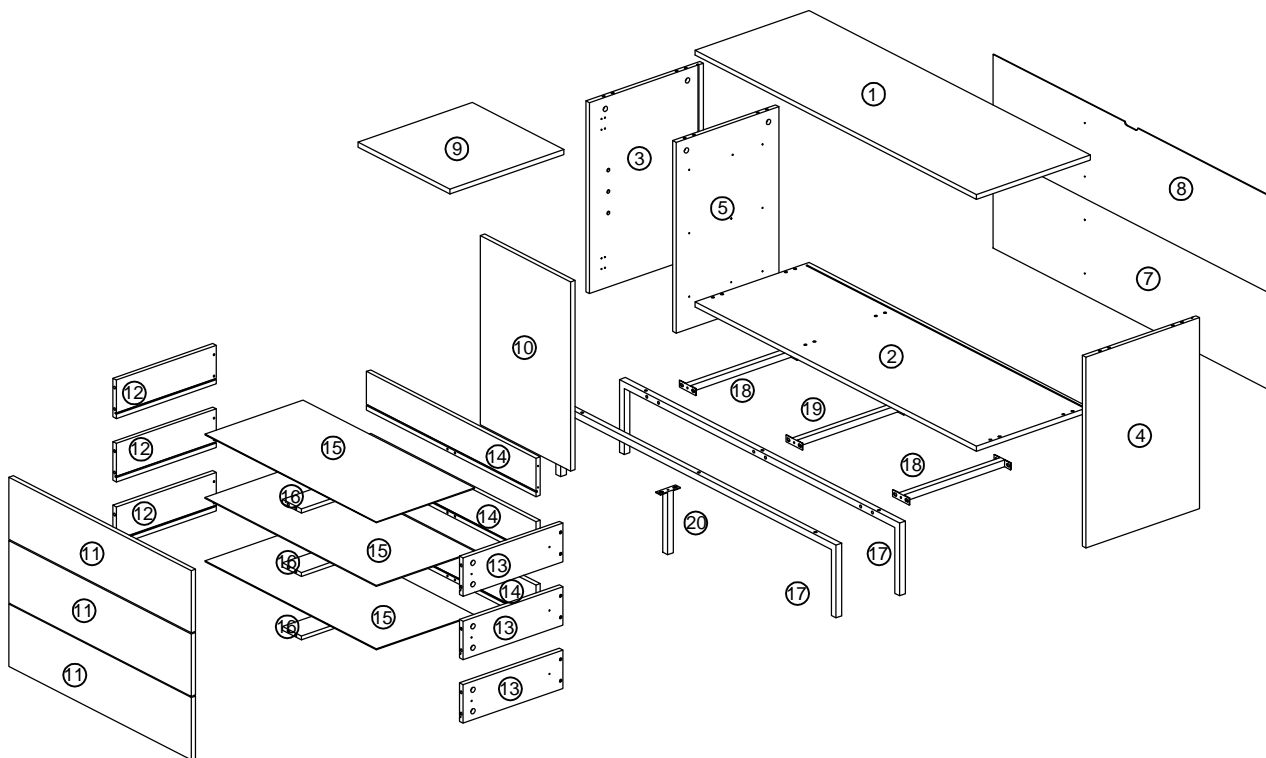



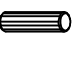




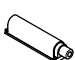

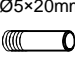


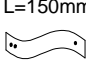



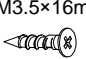
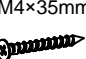
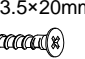



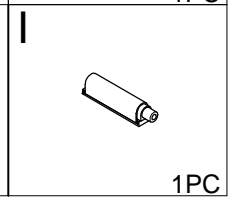
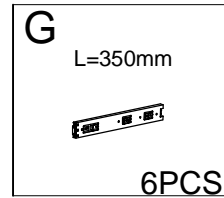
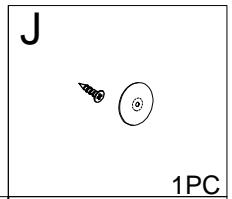
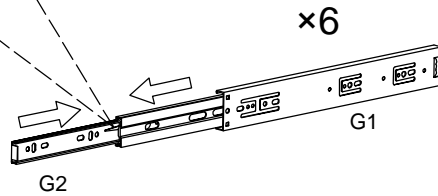
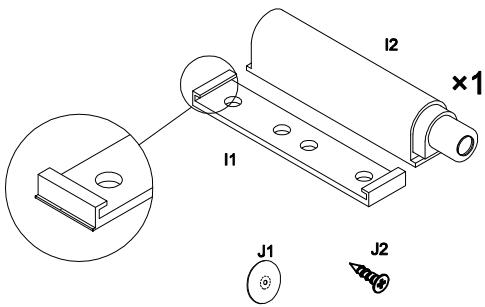
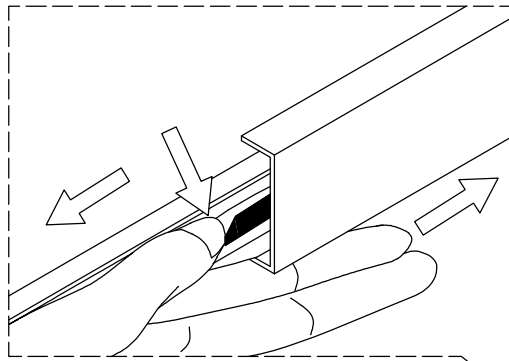
Seaford



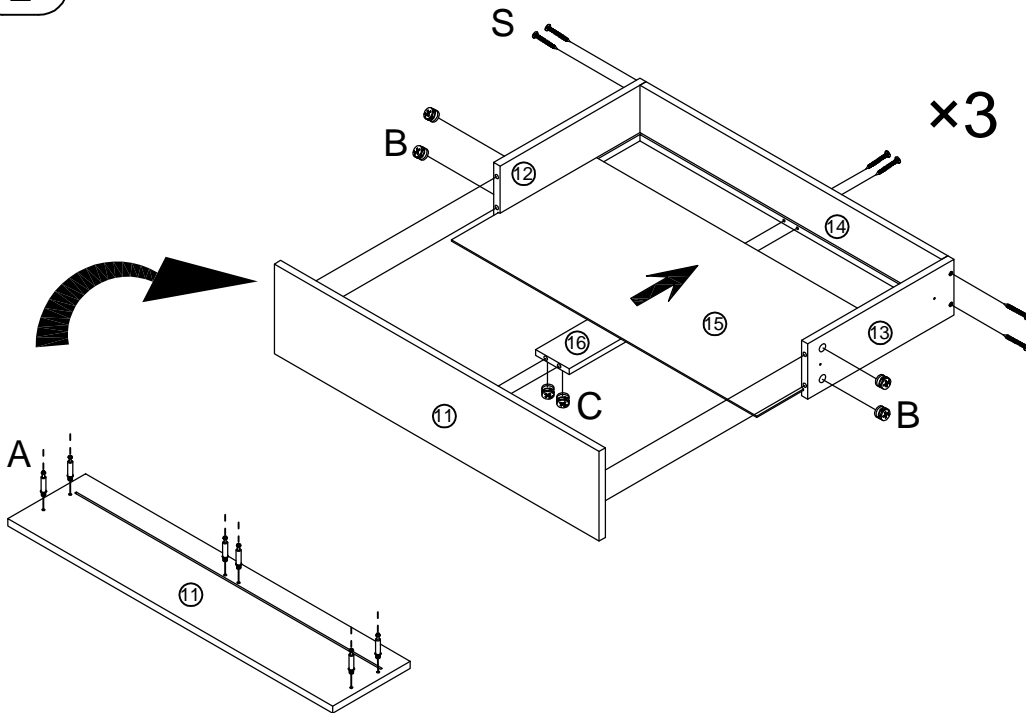


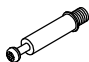



A M6.3×45mm  24PCS	B Ø15×12mm  18PCS	C Ø15×10mm  6PCS	D Ø8×30mm  12PCS	E M7×38mm  6PCS	F M3.5×14mm  46PCS	G L=350mm  6PCS
H FK17  2PCS	I  1PC	J  1PC	K Ø5×20mm  4PCS	L M6×30mm  6PCS	M M6×15mm  14PCS	N L=150mm  1PC
O Ø16/Ø6  3PCS	P Φ20×10/M6×20  1PC	Q 9×9×14mm  6PCS	R M3.5×16mm  6PCS	S M4×35mm  18PCS	T M3.5×20mm  4PCS	U M4  1PC

1

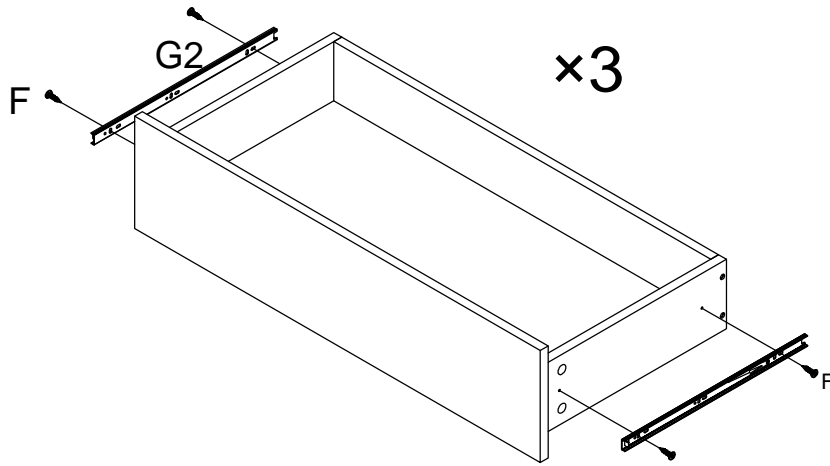




2



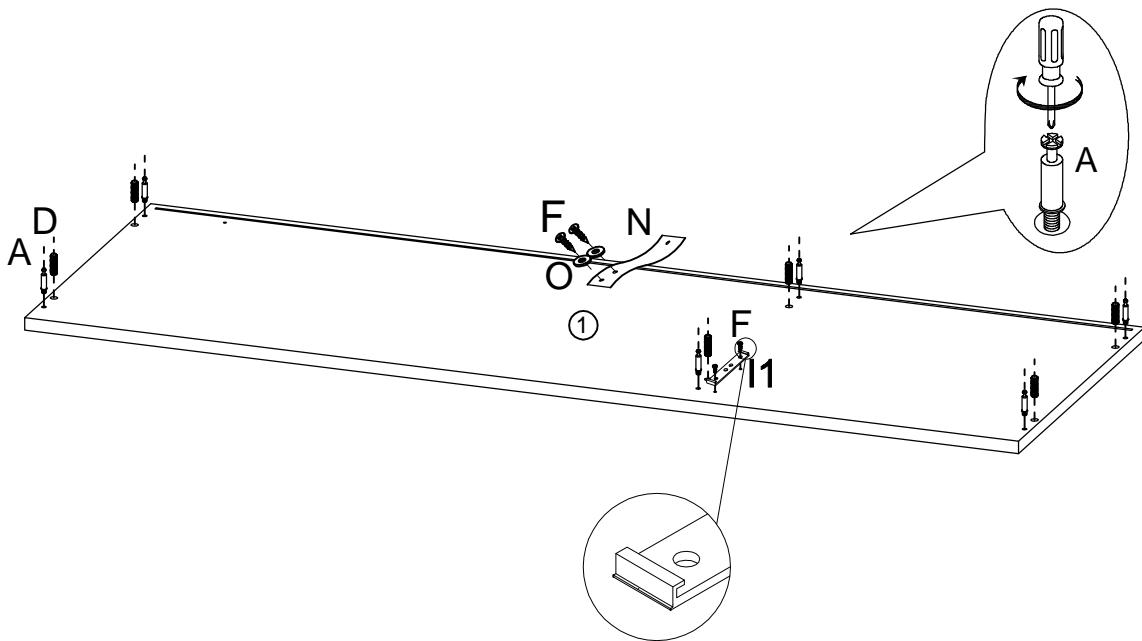
<p>A</p> <p>M6.3×45mm</p>  <p>18PCS</p>	<p>B</p> <p>Ø15×12mm</p>  <p>12PCS</p>	<p>C</p> <p>Ø15×10mm</p>  <p>6PCS</p>	<p>S</p> <p>M4×35mm</p>  <p>18PCS</p>
---	--	---	---




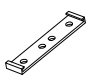


3



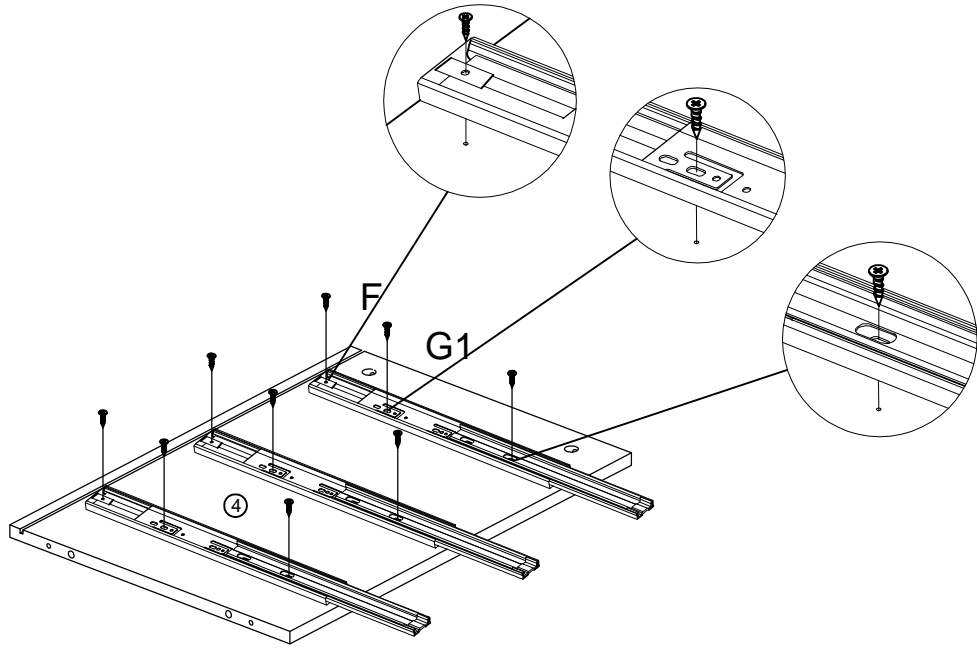
F	M3.5×14mm
	12PCS
G2	L=350mm
	6PCS


4




A	M6.3×45mm	D	Ø8×30mm	F	M3.5×14mm	I1		N	L=150mm	O	Ø16/Ø6
											
6PCS		6PCS		4PCS		1PC		1PC		2PCS	

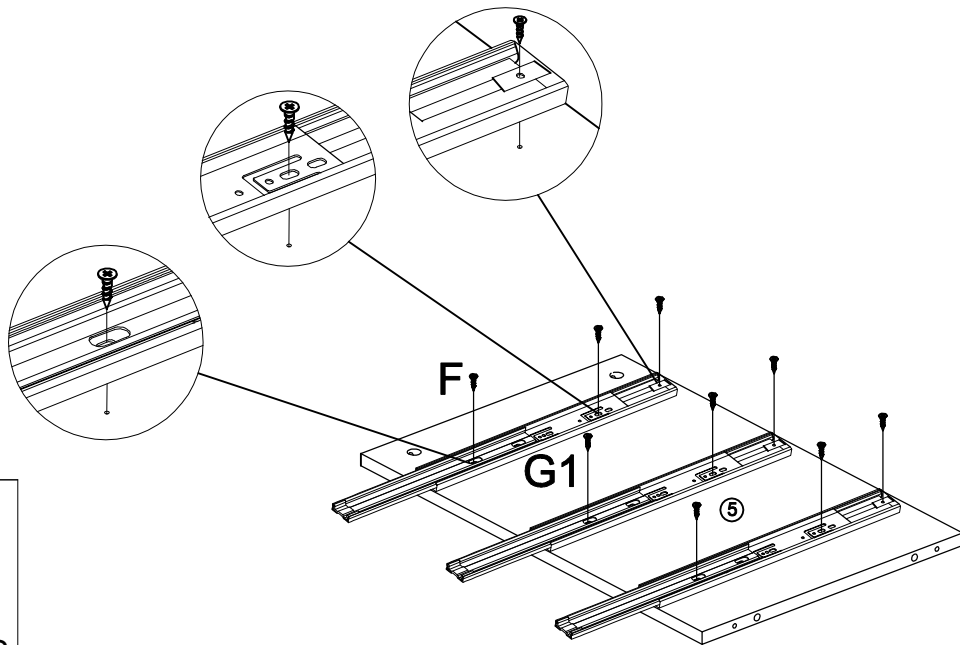
5





F
M3.5×14mm

9PCS

G1
L=350mm

3PCS

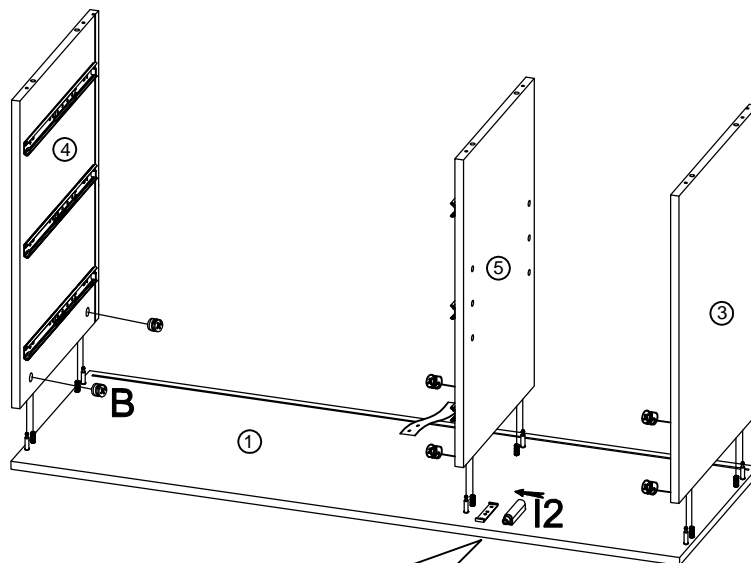
6


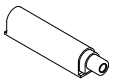


F
M3.5×14mm

9PCS

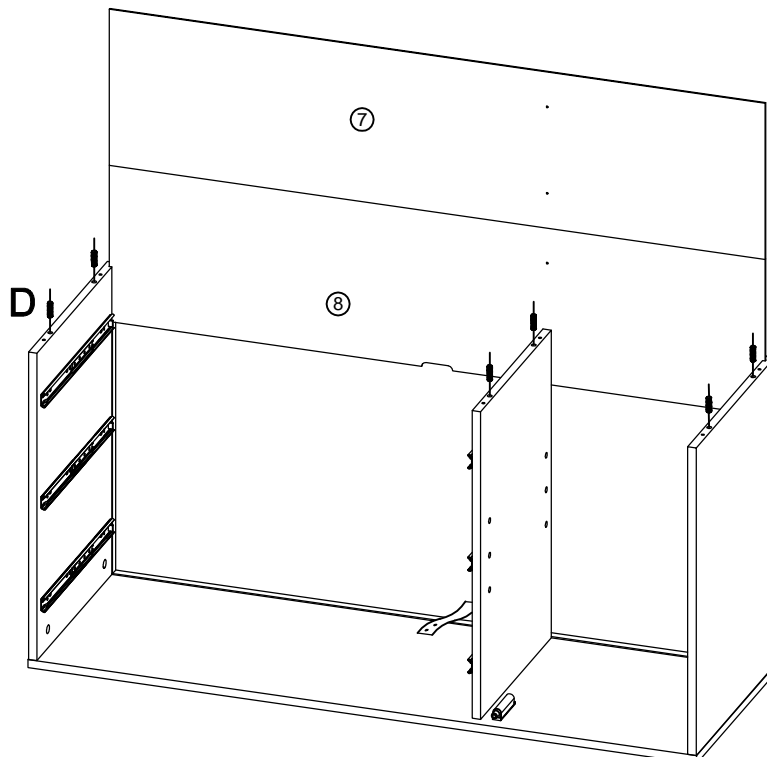
G1
L=350mm

3PCS


7



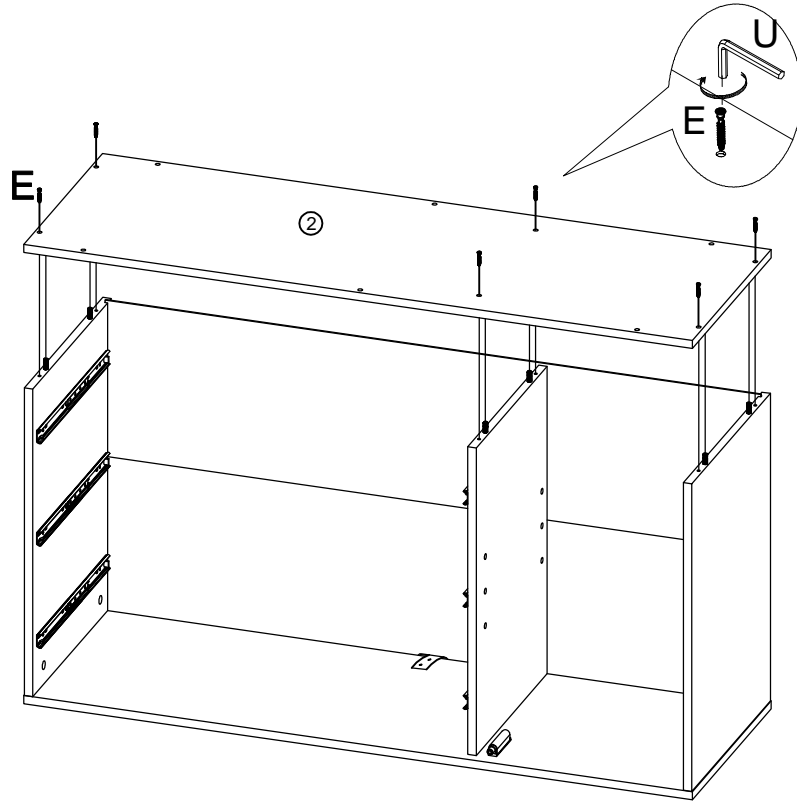
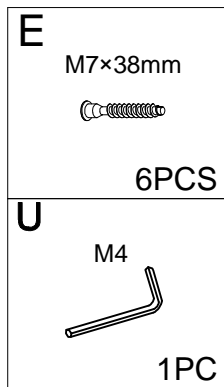
B Ø15×12mm  6PCS	I2  1PC
---	---

8

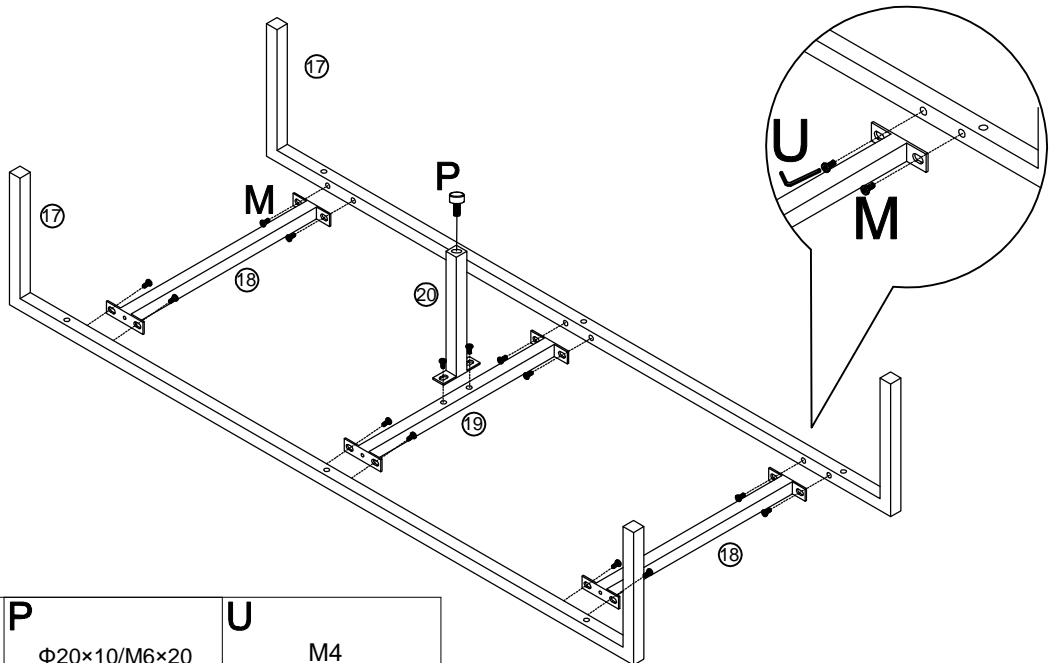
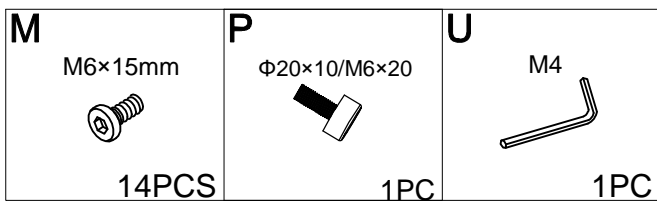


D Ø8×30mm  6PCS
--

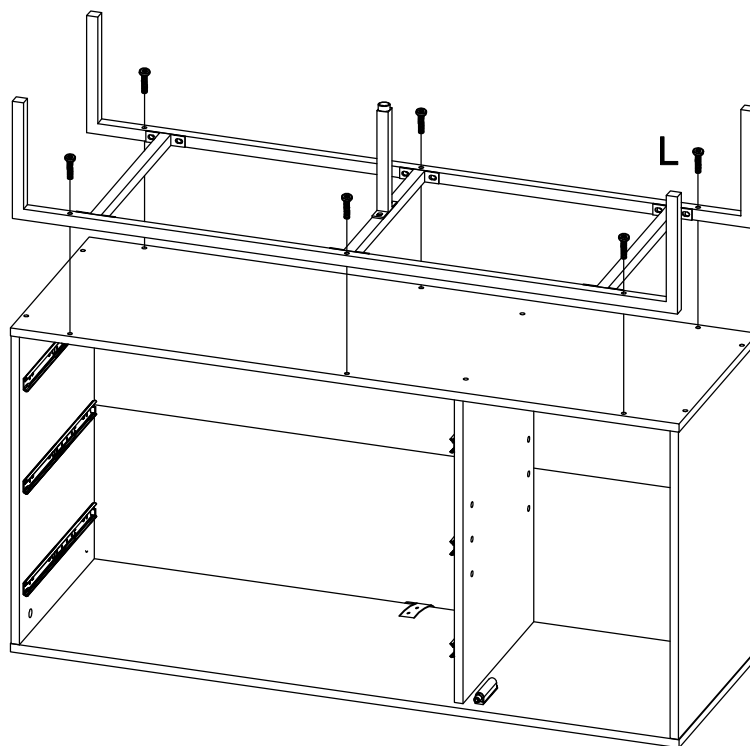
9





10



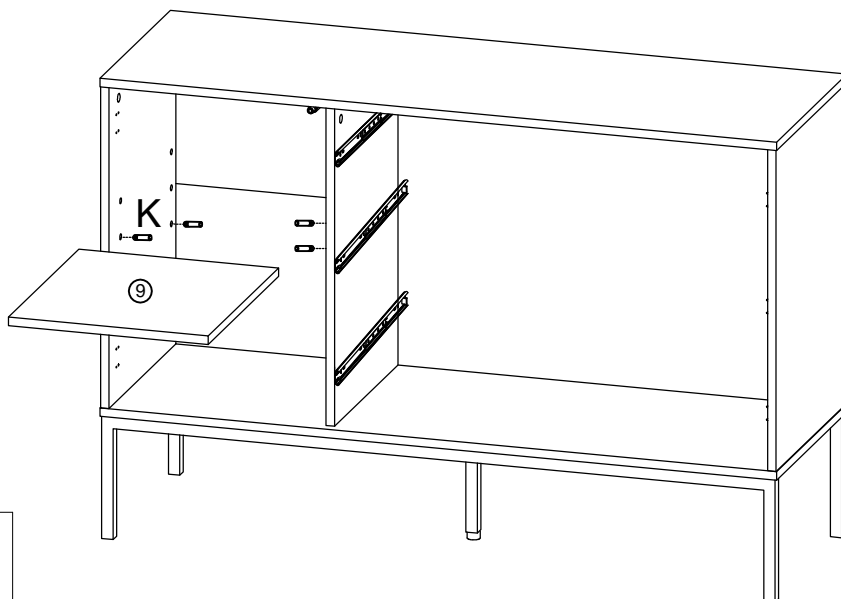
11

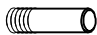


L
M6×30mm

6PCS

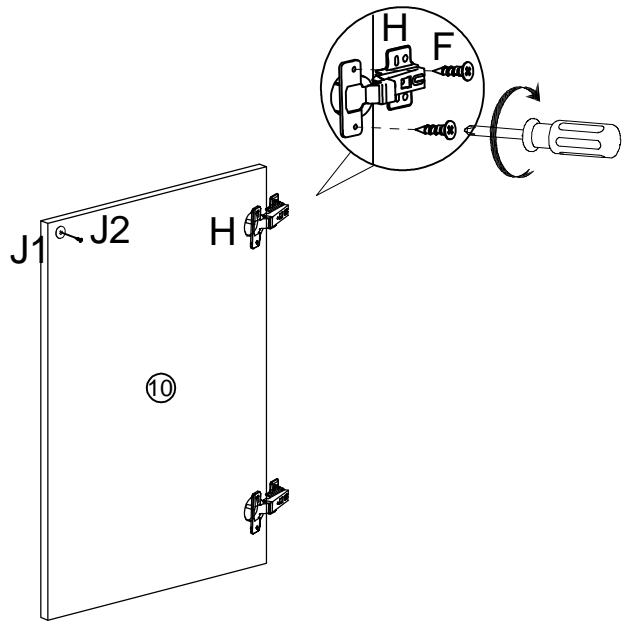
U
M4

1PC




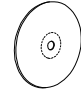
12



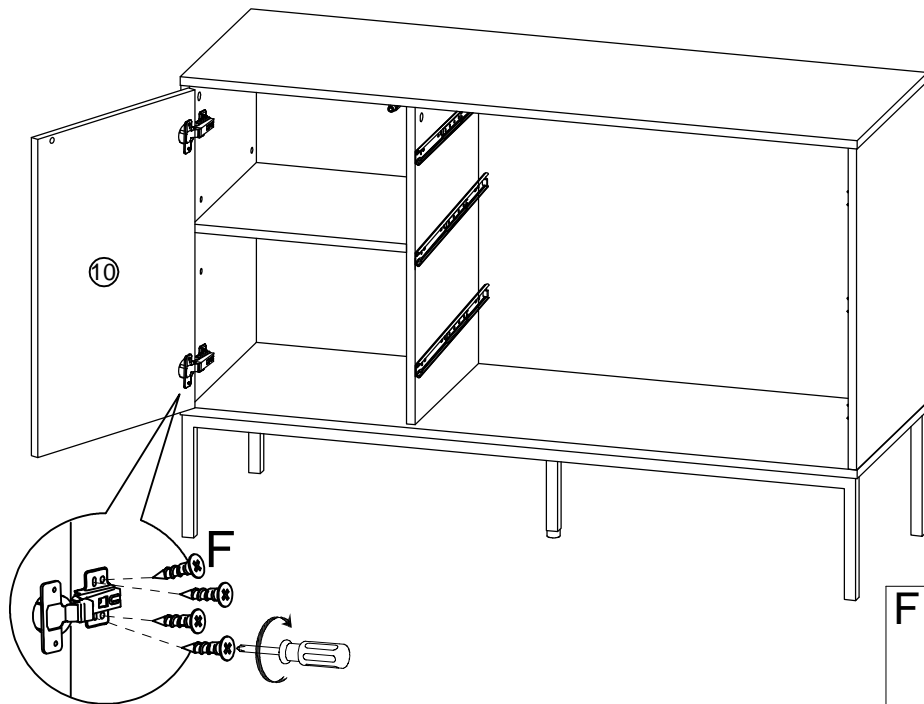
K
Ø5×20mm

4PCS


13



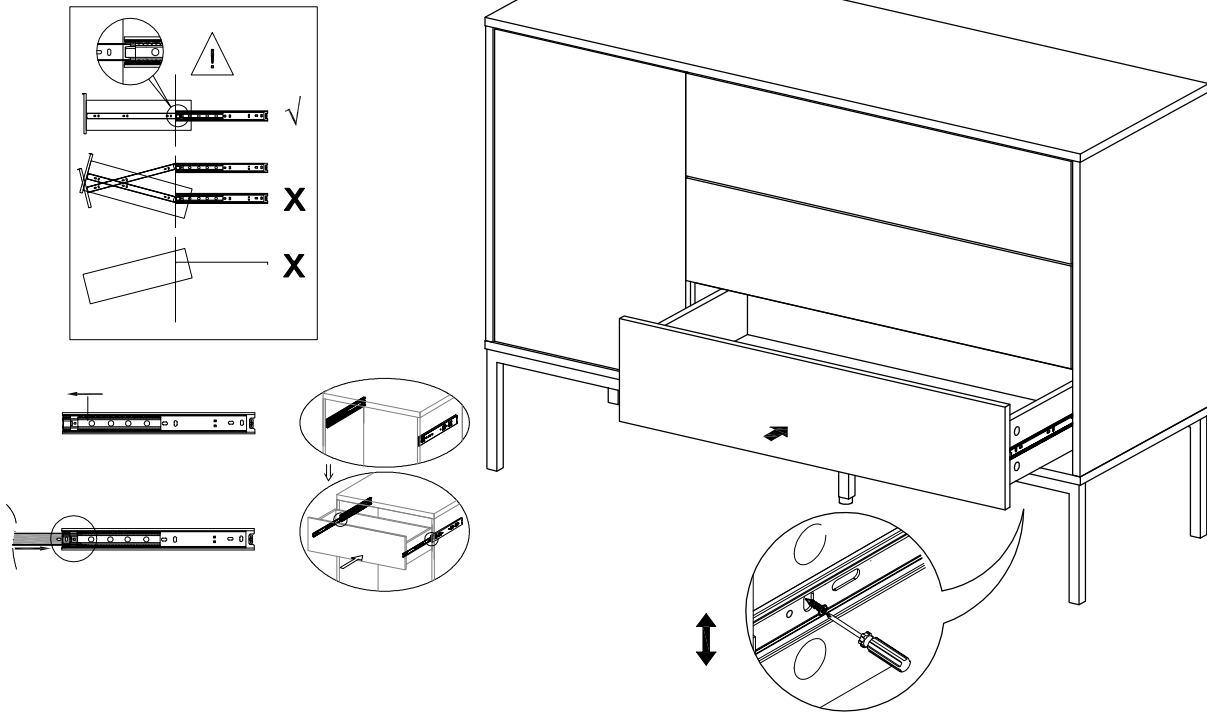
F M3.5×14mm  4PCS	H FK17  2PCS	J2  1PC	J1  1PC
--	---	---	---

14

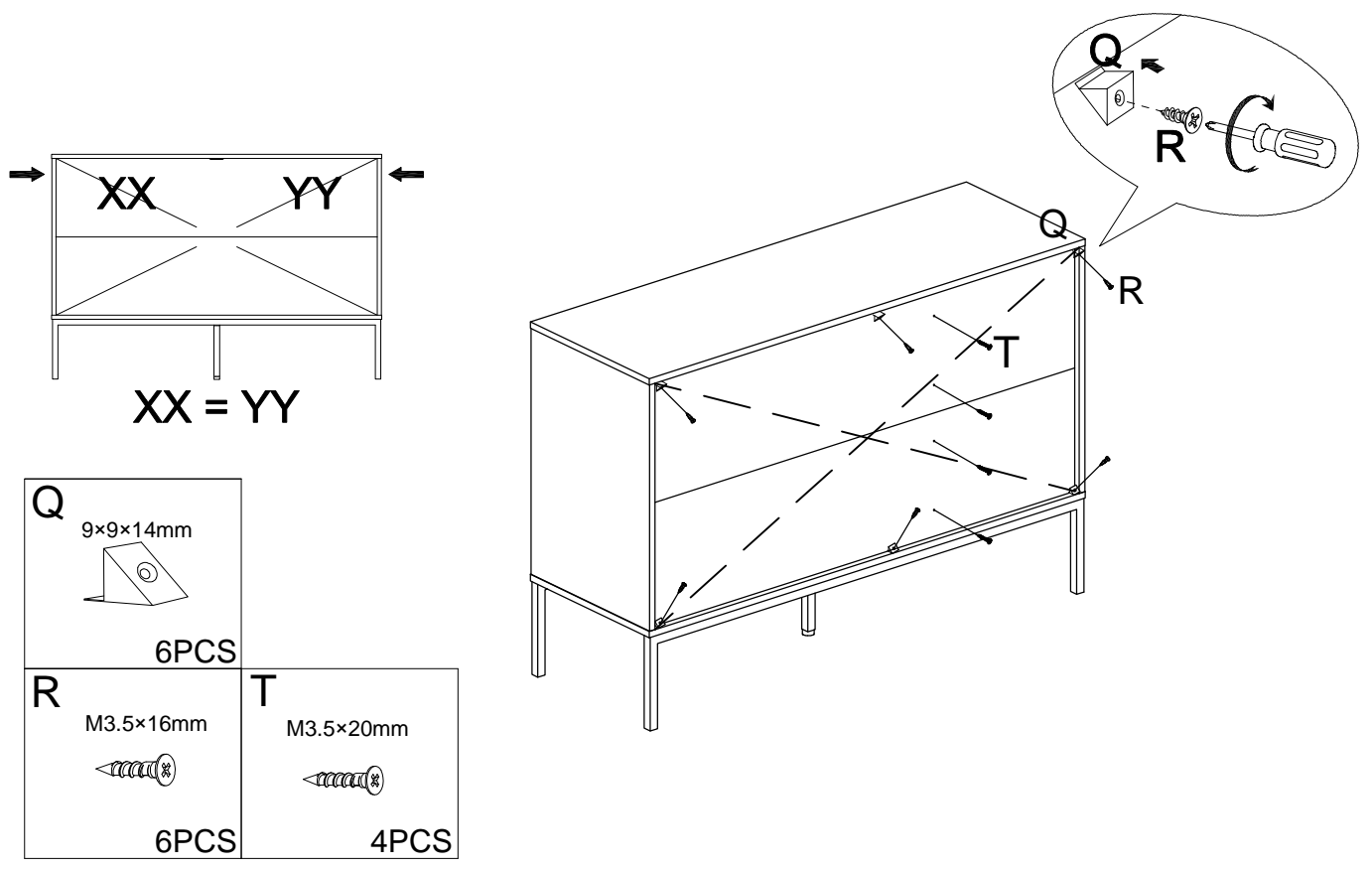


F M3.5×14mm  8PCS
--

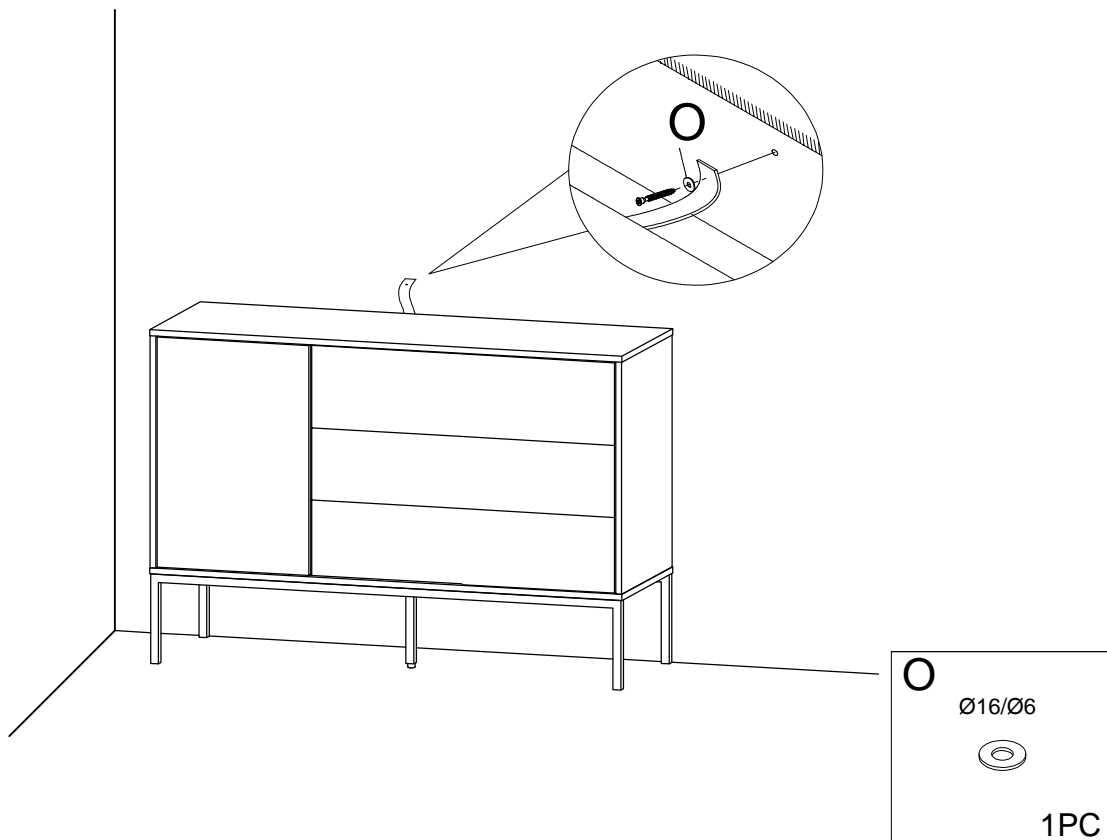
15



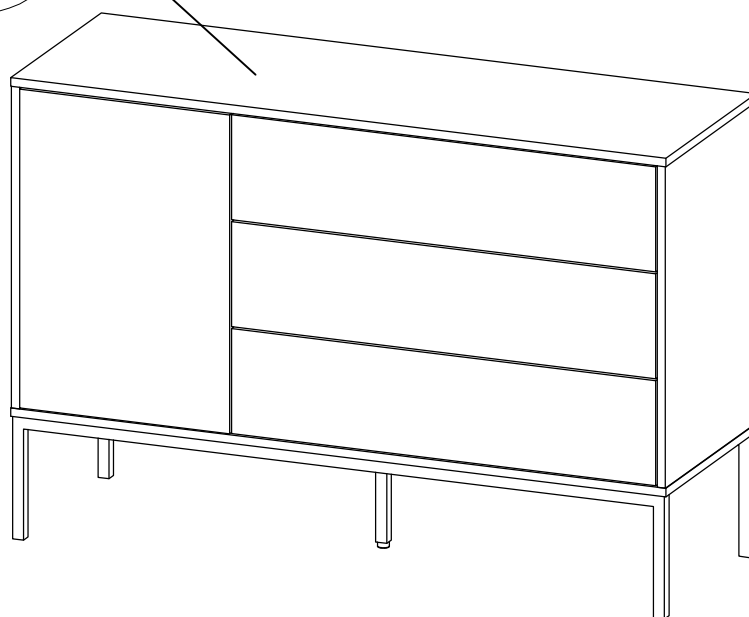
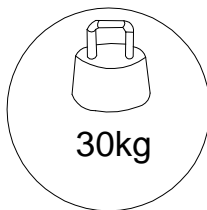
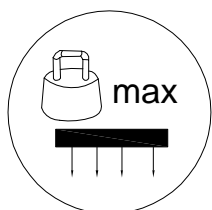
16



17



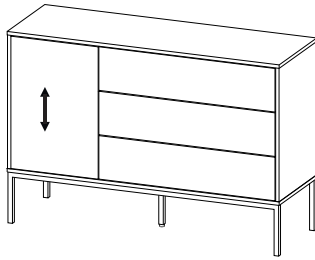
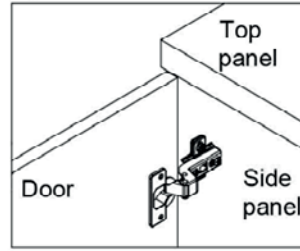
18



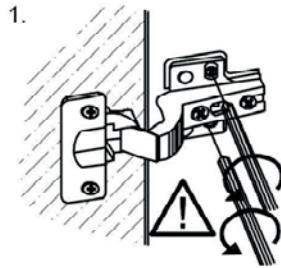


TO ADJUST YOUR DOORS TO MAKE THE GAPS MORE EVEN (OPTIONAL).

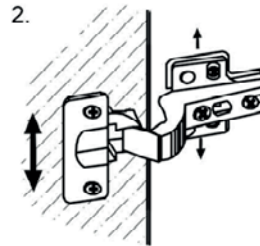
**STEP 14.1
Open the door.**



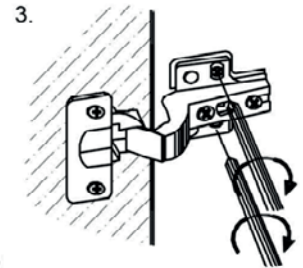
STEP 14.2
Adjust the door panels upward or downward



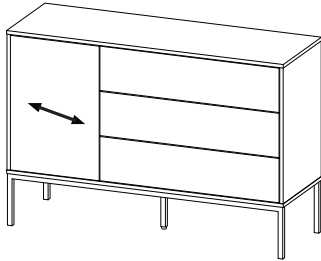
1.
Unscrew 2 screws in round holes
Loosen 2 screws in oval holes a bit.



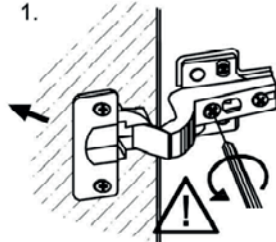
2.
MOVE DOOR UPWARD OR DOWNWARD



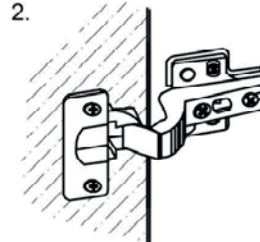
3.
Tighten 2 screws in oval holes.
Screw in 2 screws in round holes



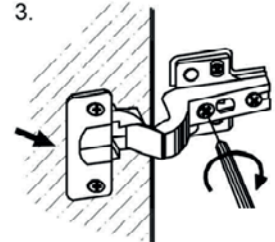
STEP 14.3
Adjust the flush between door panel and side panel



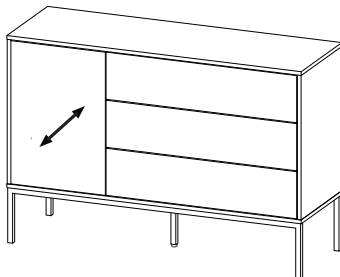
1.
MOVE DOOR OUTWARD by turning this screw counter-clockwise



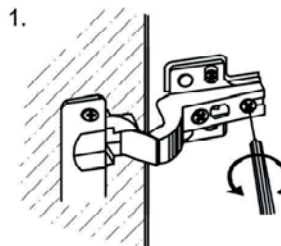
2.
KEEP DOOR IN RIGHT POSITION



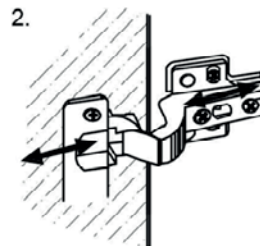
3.
MOVE DOOR OUTWARD by turning this screw clockwise



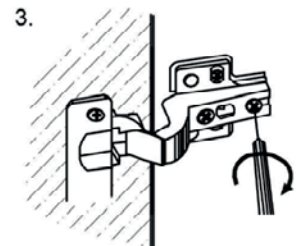
STEP 14.4
Adjust the gap between door panel and side panel



1.
Loosen this screw a bit.



2.
MOVE DOOR BACK OR FORTH



3.
Re-tighten this screw.