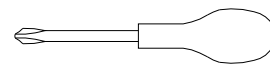
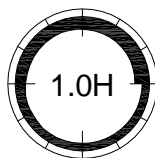
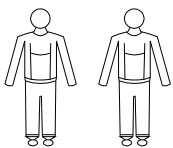
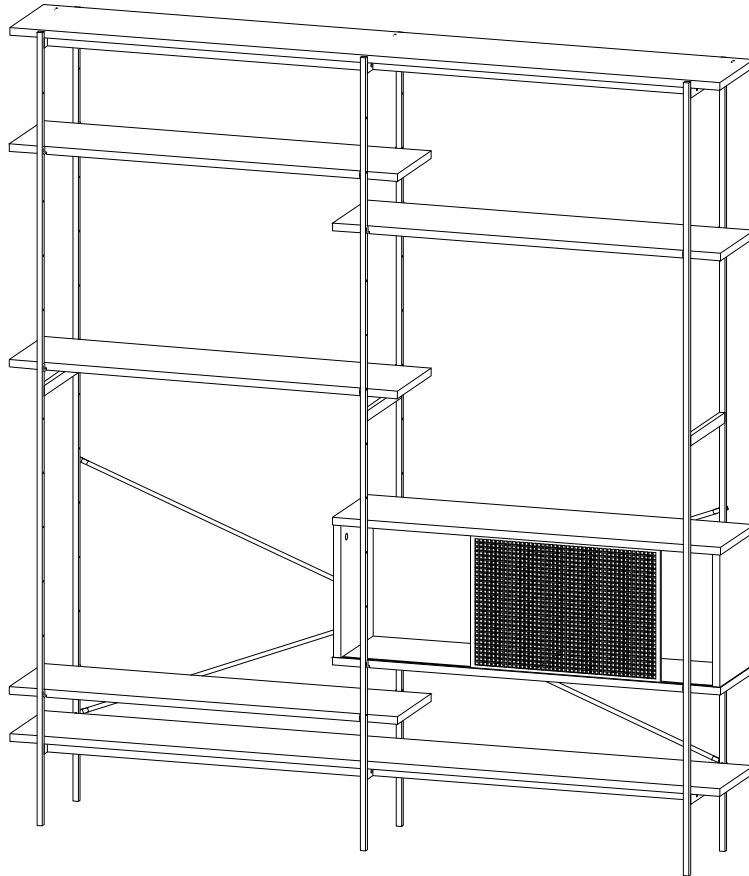
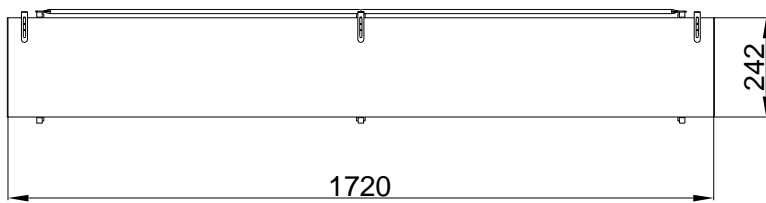
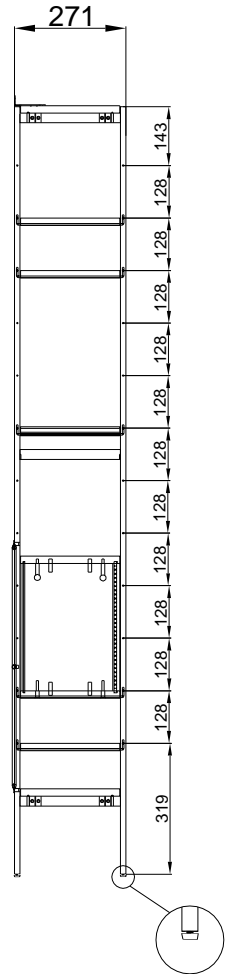
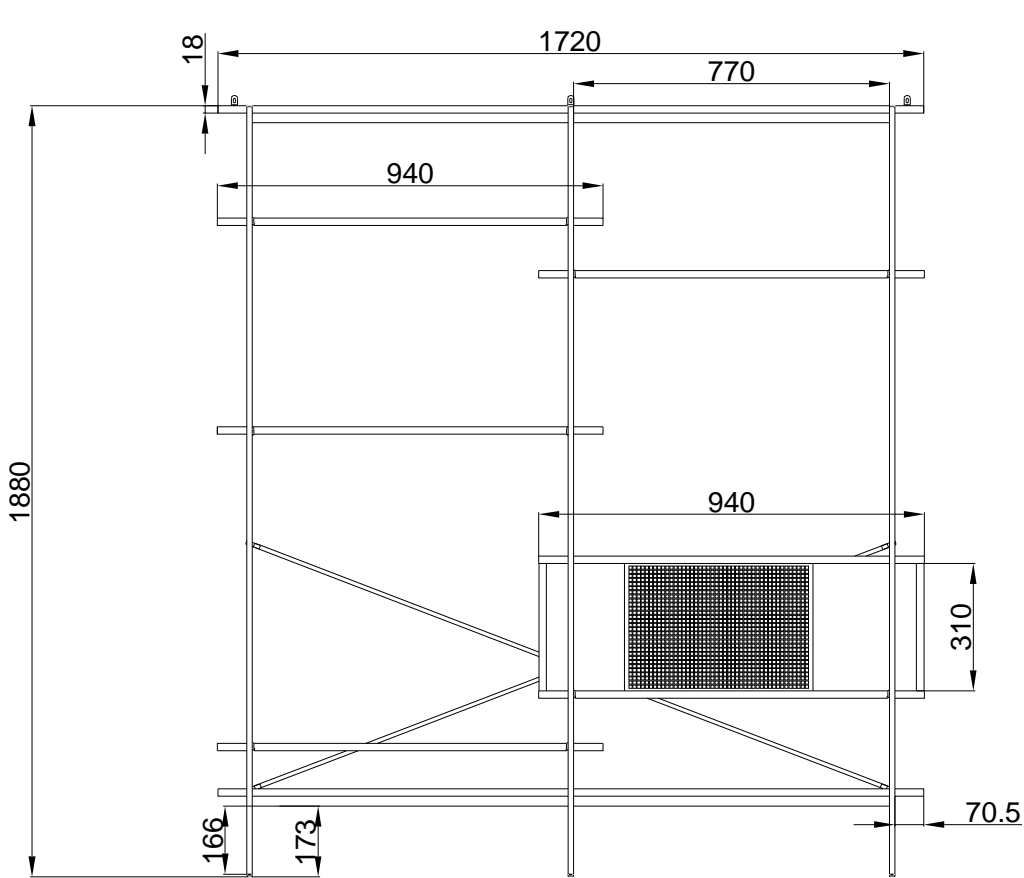
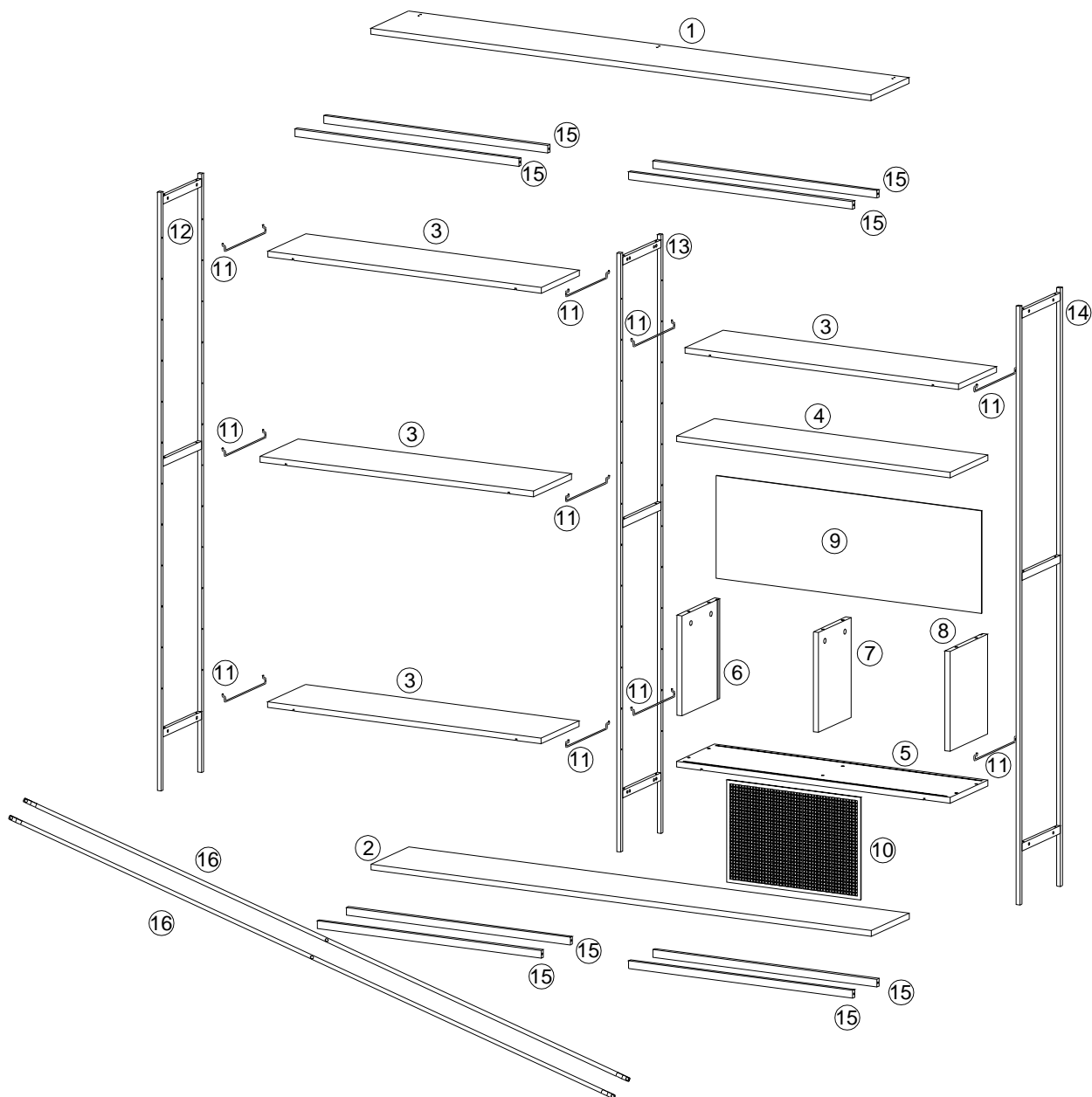
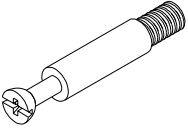
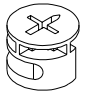


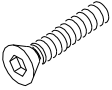
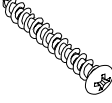



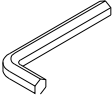




Angus

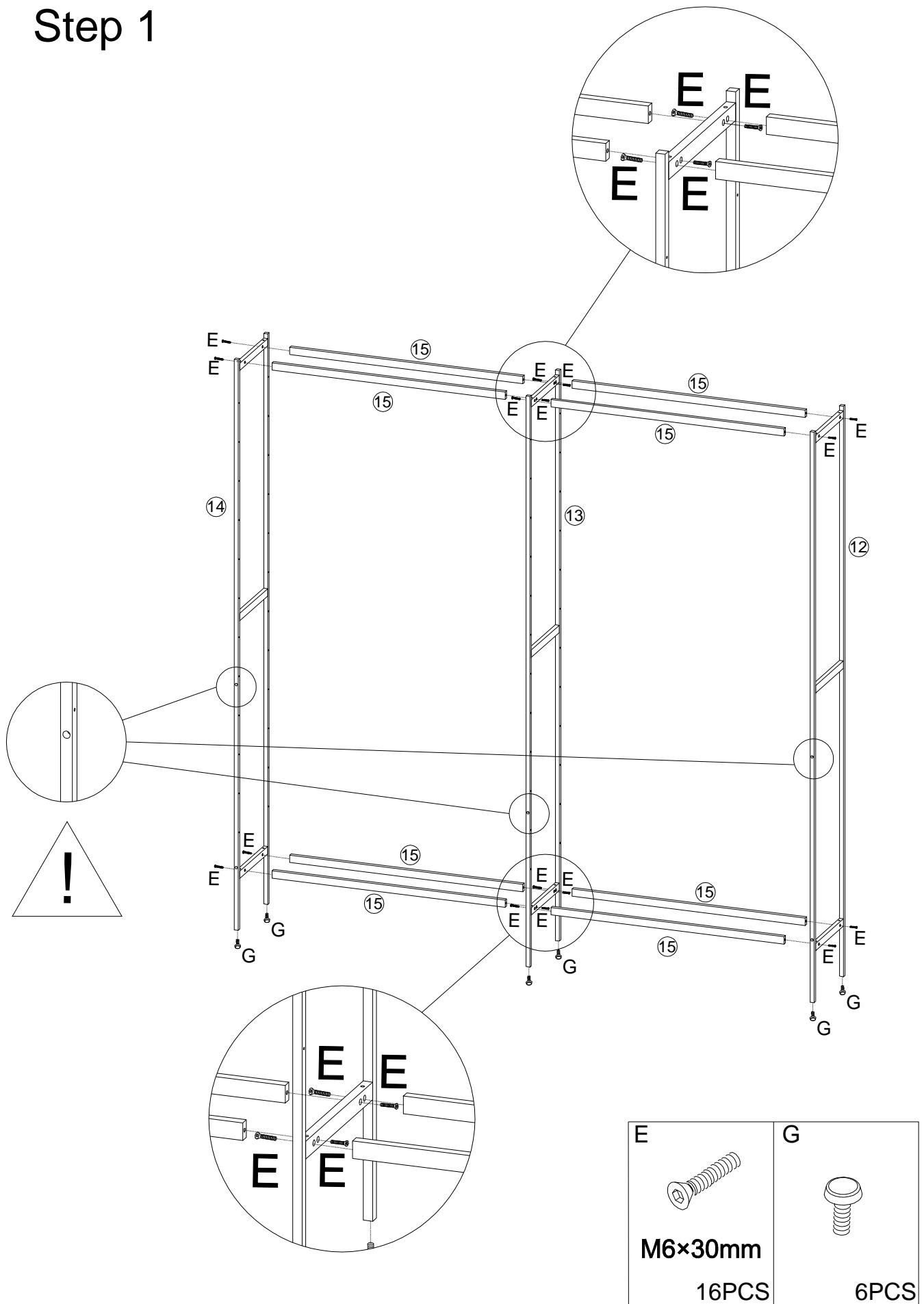




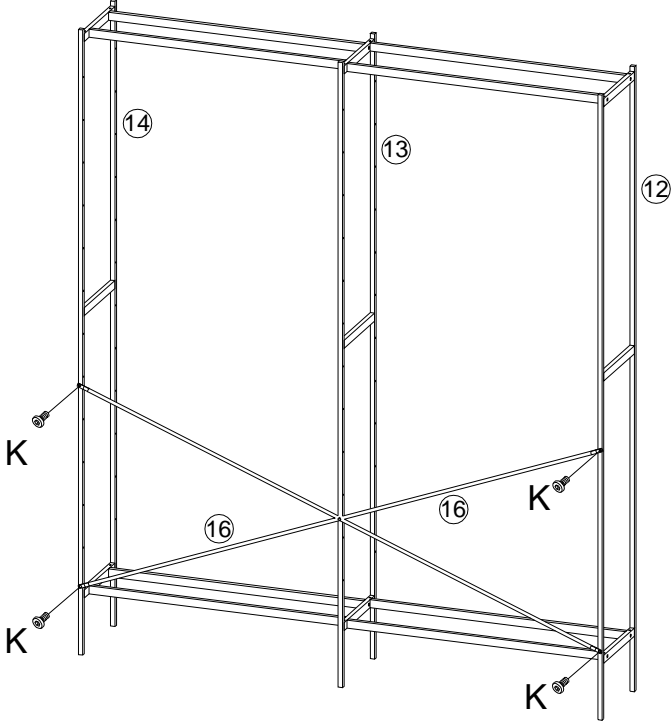
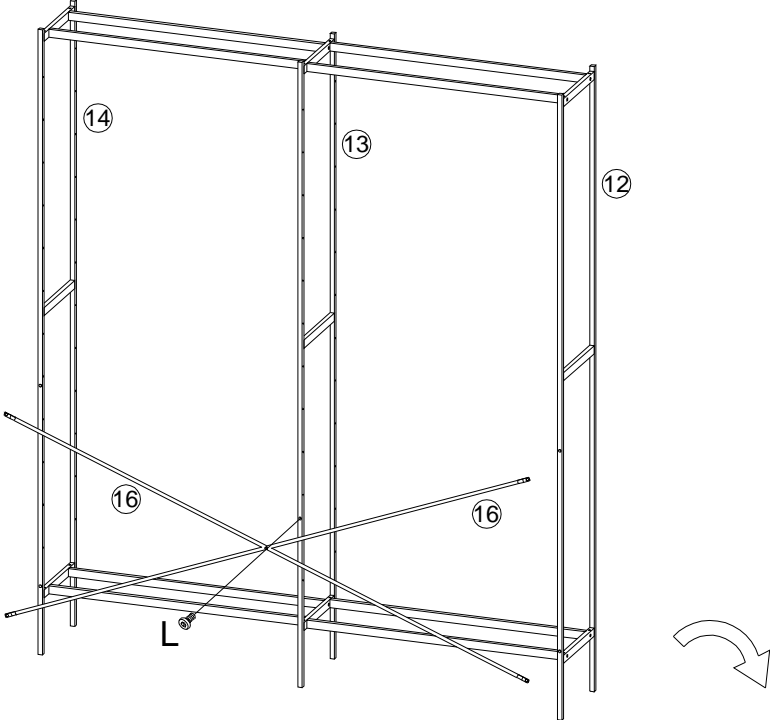



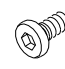
A  M6×45mm 6PCS	B  Ø15×12mm 6PCS	C  Ø8×30mm 12PCS	D  M7×38mm 6PCS	E  M6×30mm 16PCS	F  M4×35mm 12PCS
G  6PCS	H  M4×15mm 6PCS	I  3PCS	J  4mm 1PC	K  M6×12mm 4PCS	L  M6×18mm 1PC

Step 1

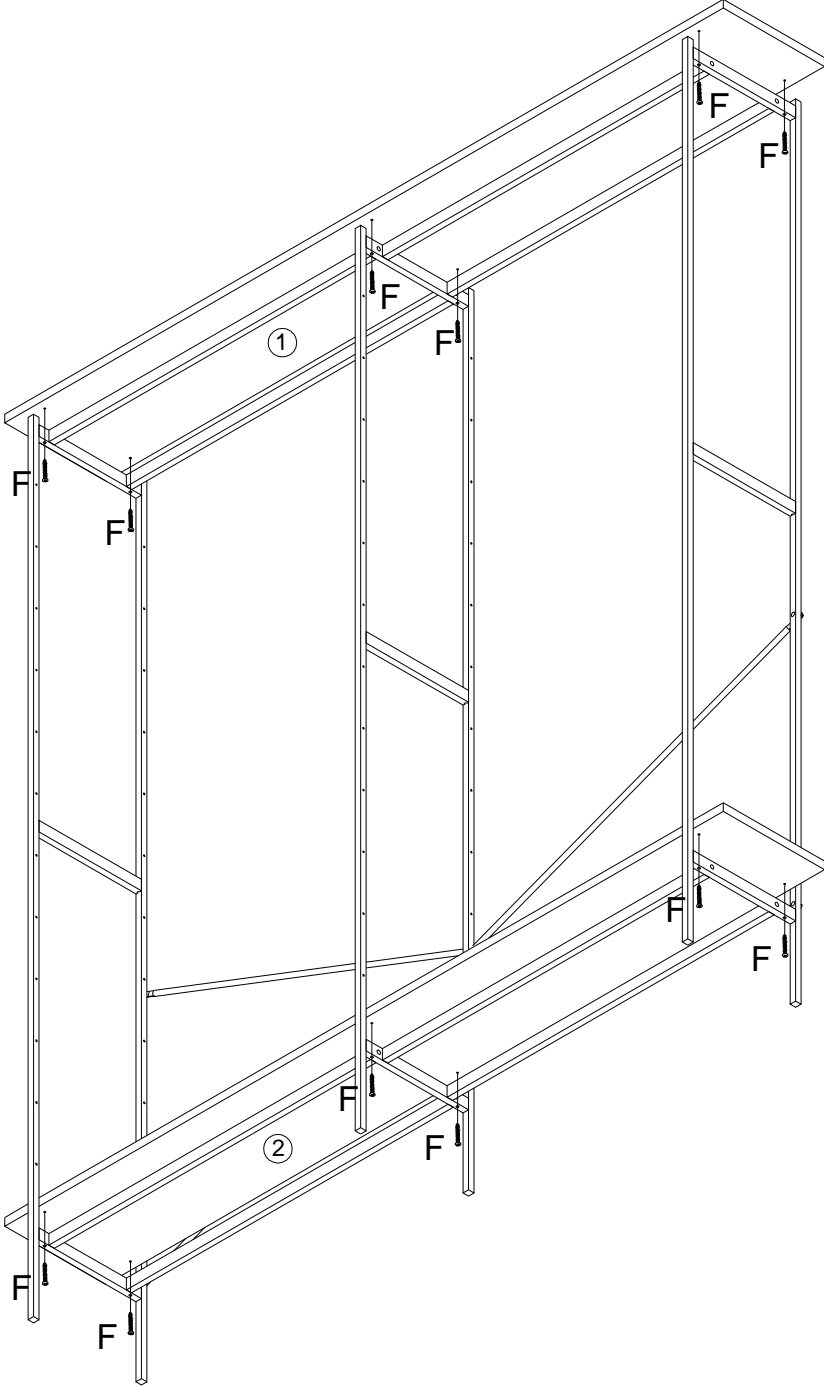


Step 2

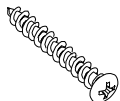


<p>K</p>  <p>M6×12mm</p> <p>4PCS</p>	<p>L</p>  <p>M6×18mm</p> <p>1PC</p>
--	---

Step 3



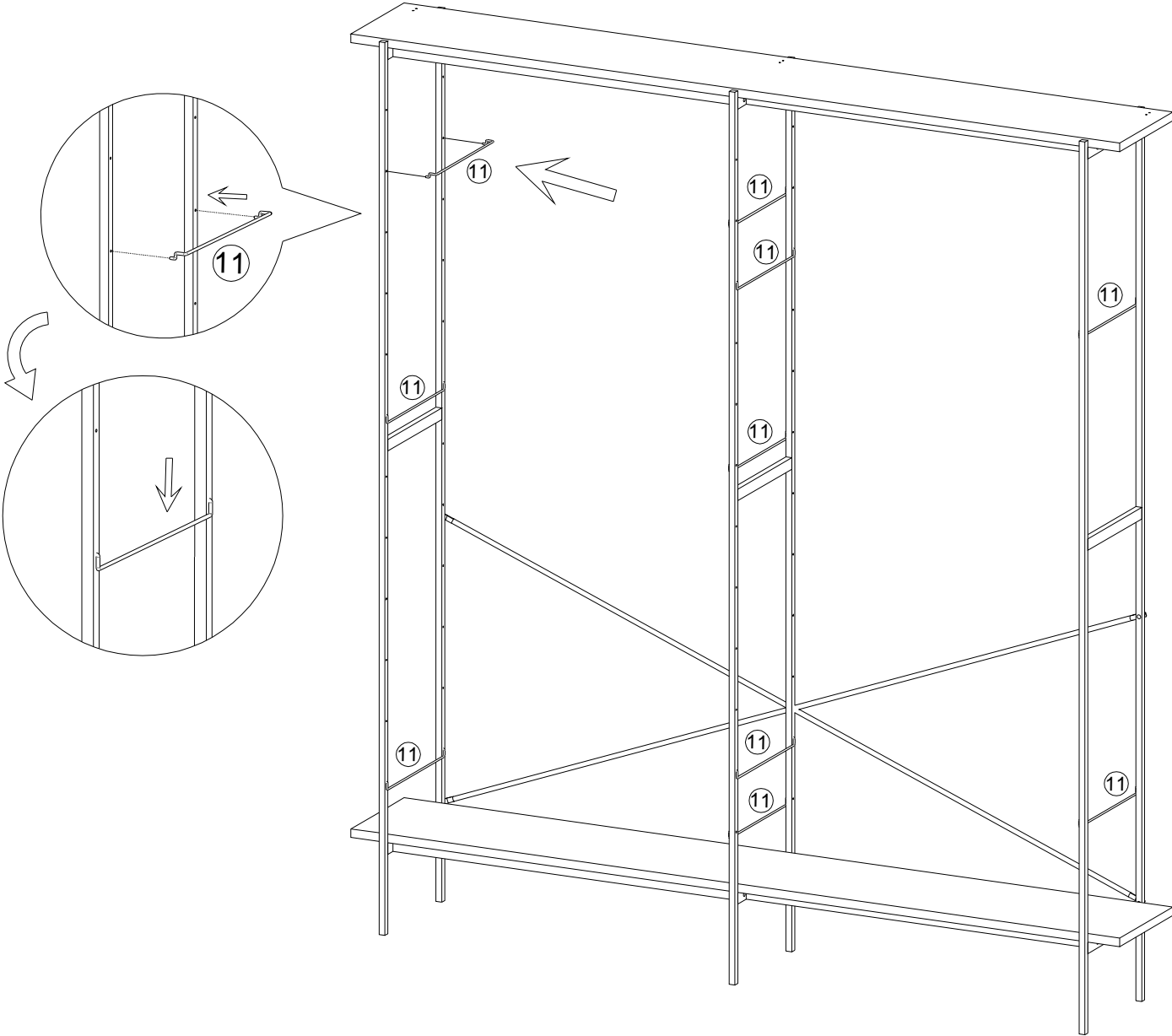
F



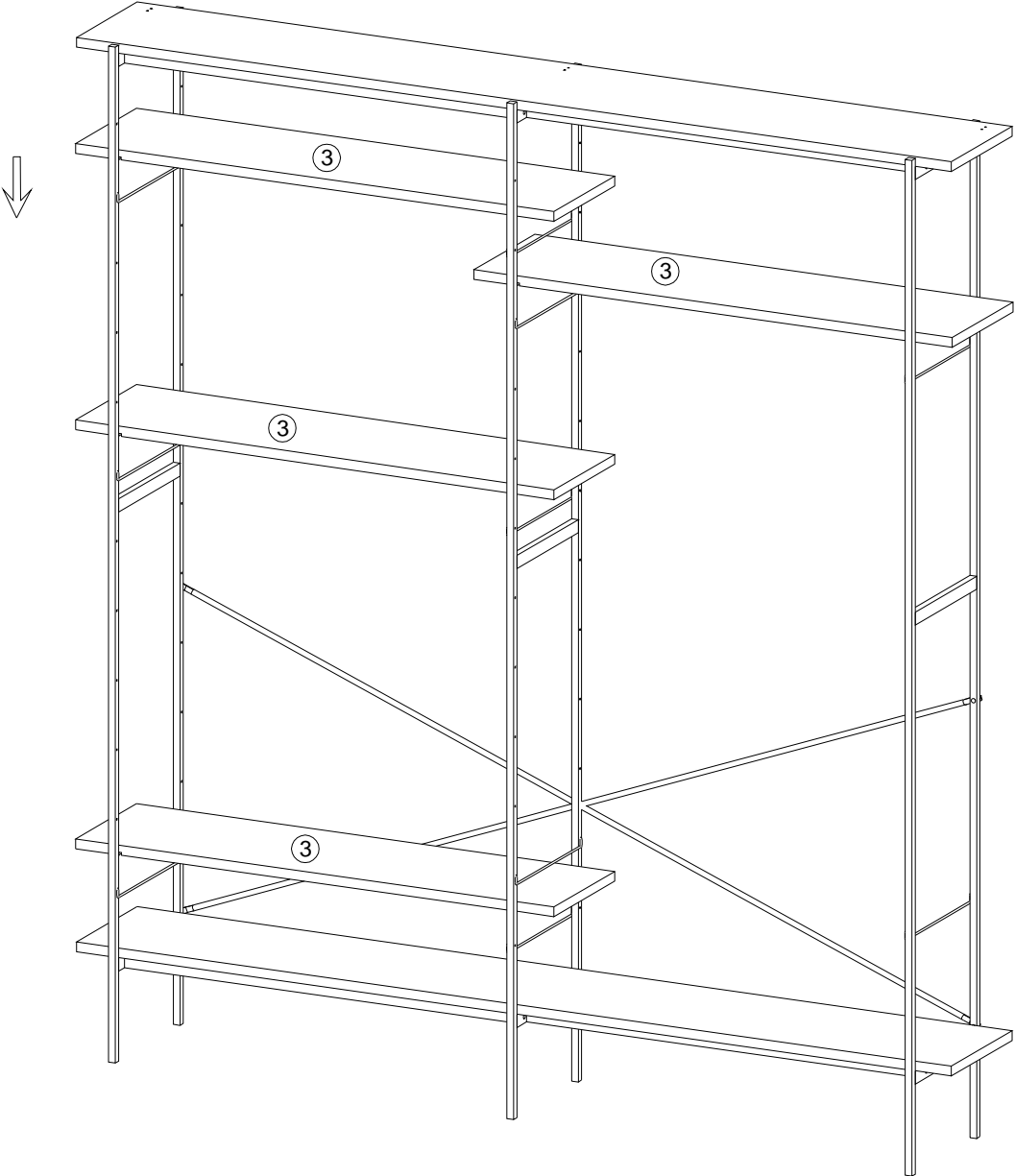
M4×35mm
12PCS

Step 4

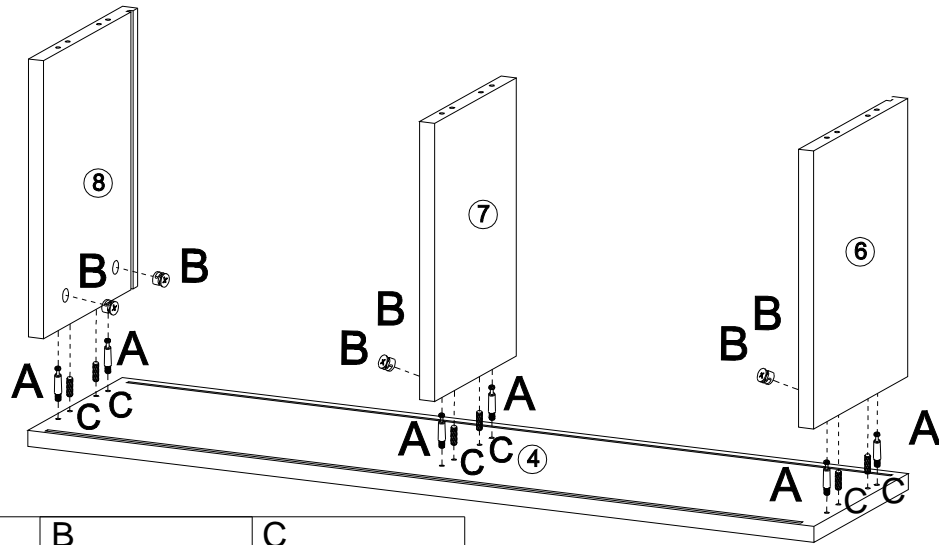
11x10 PCS

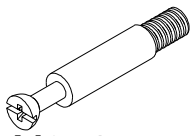
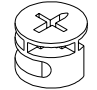



Step 5

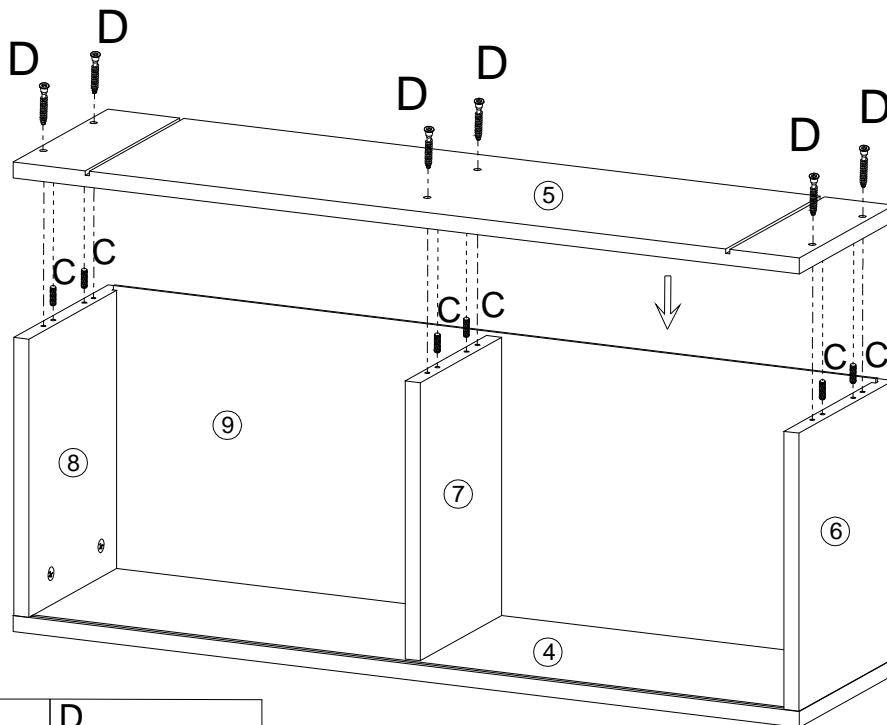



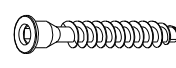
Step 6



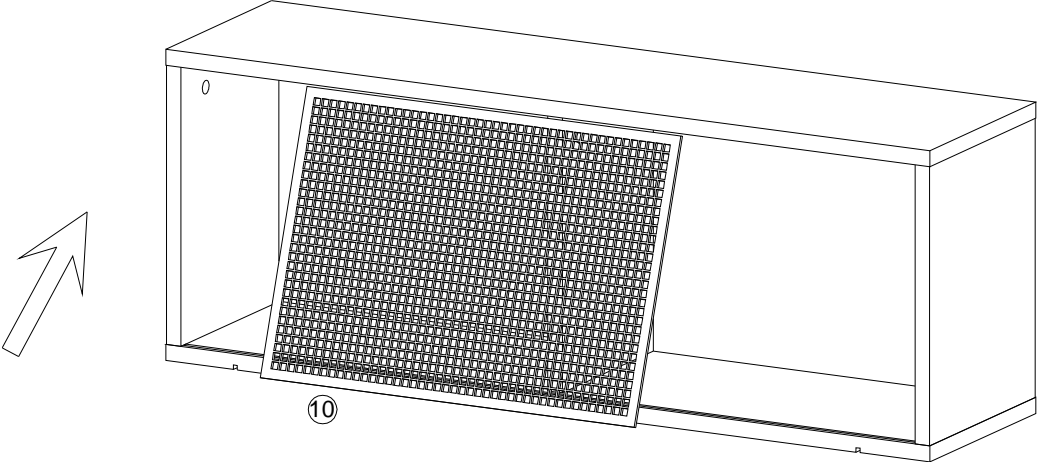
<p>A</p>  <p>M6×45mm 6PCS</p>	<p>B</p>  <p>Ø15×12mm 6PCS</p>	<p>C</p>  <p>Ø8×30mm 6PCS</p>
---	--	---

Step 7

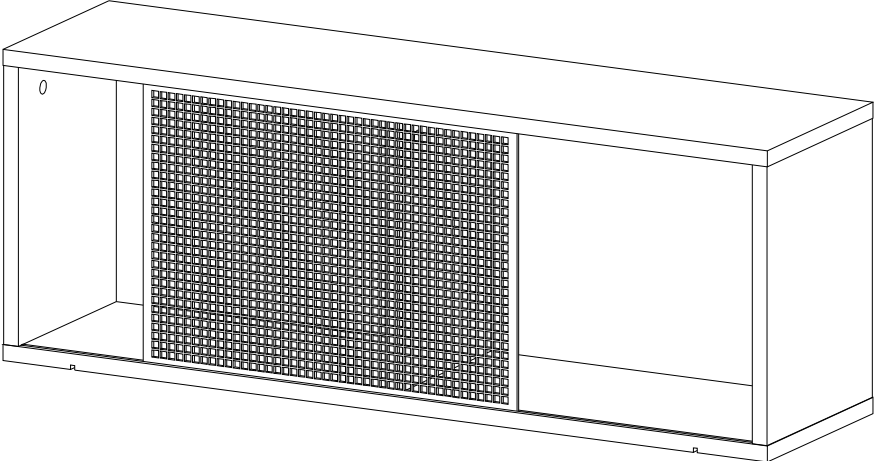


<p>C</p>  <p>Ø8×30mm 6PCS</p>	<p>D</p>  <p>M7×38mm 6PCS</p>
---	---

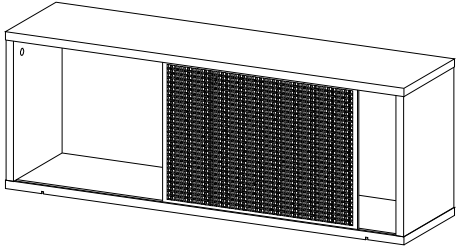
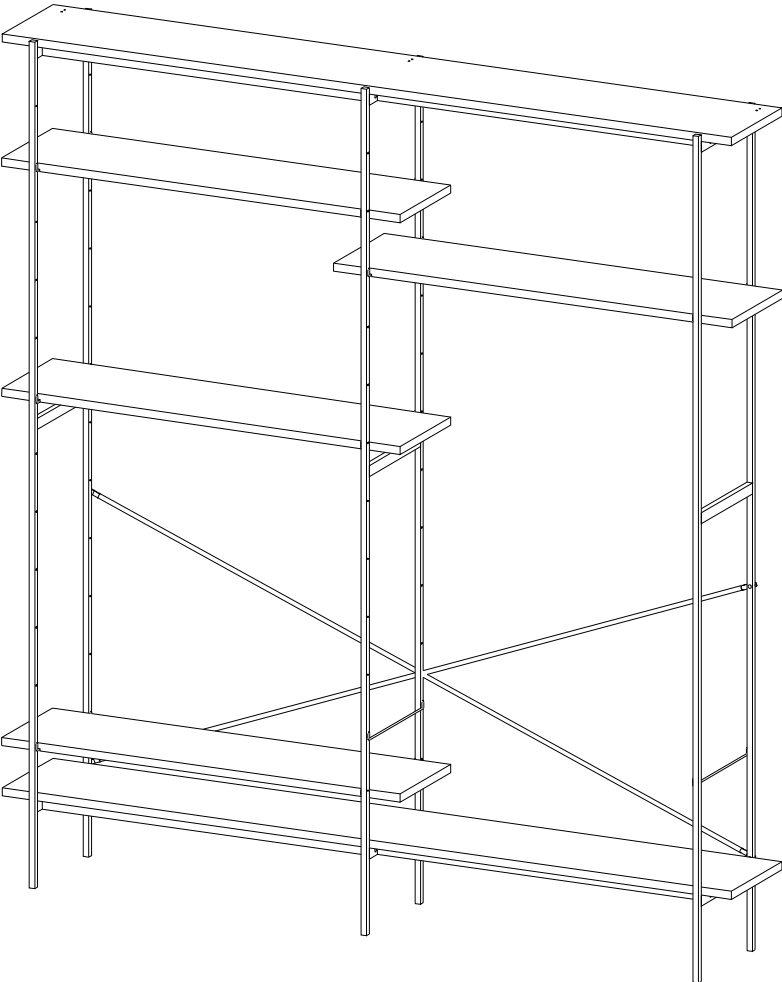
Step 8



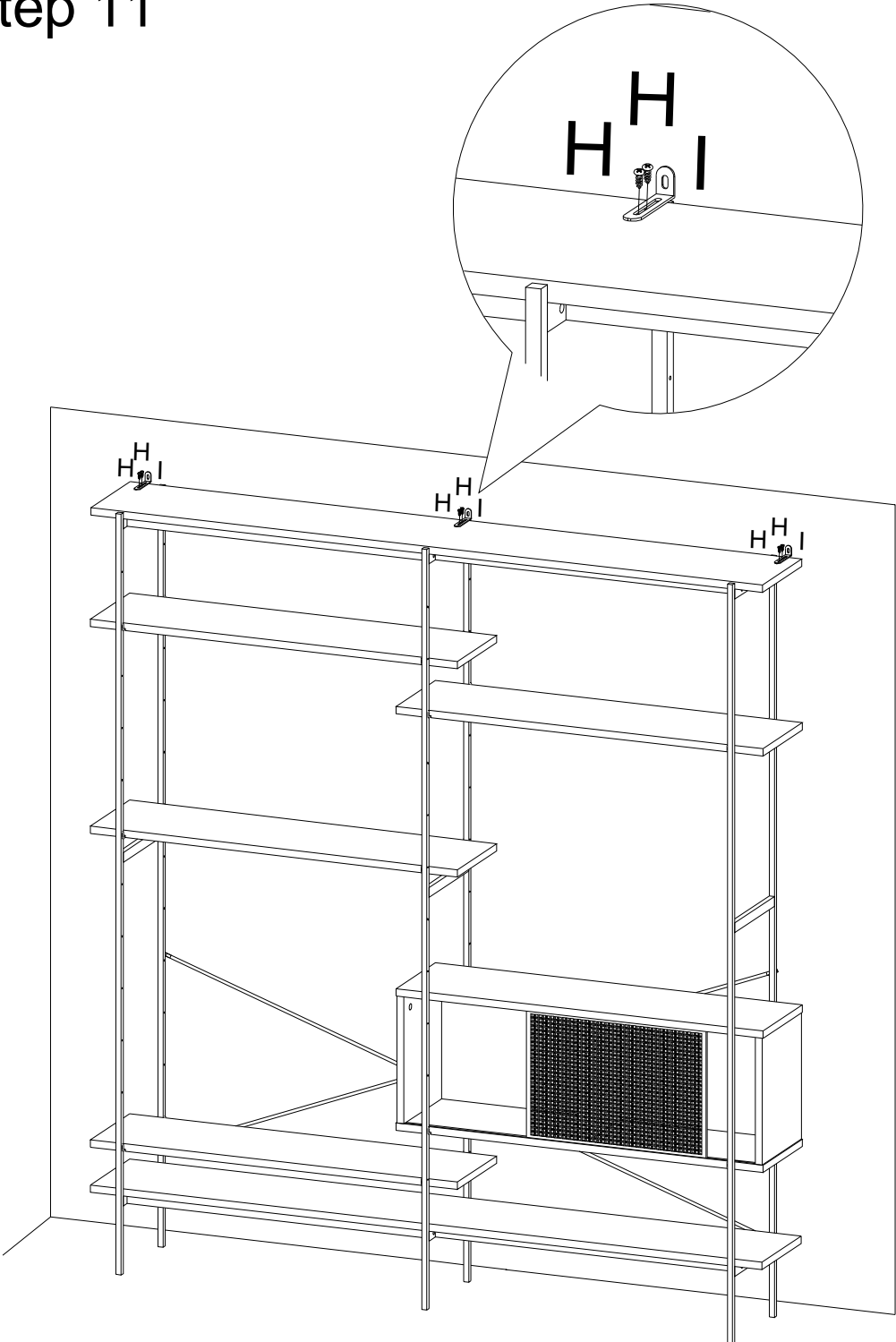
Step 9


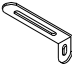


Step 10



Step 11



H	I
 M4×15mm 6PCS	 3PCS

Step 12

