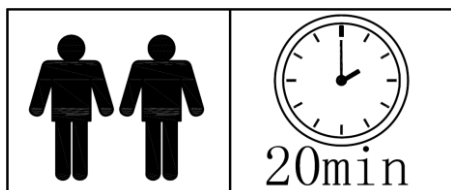
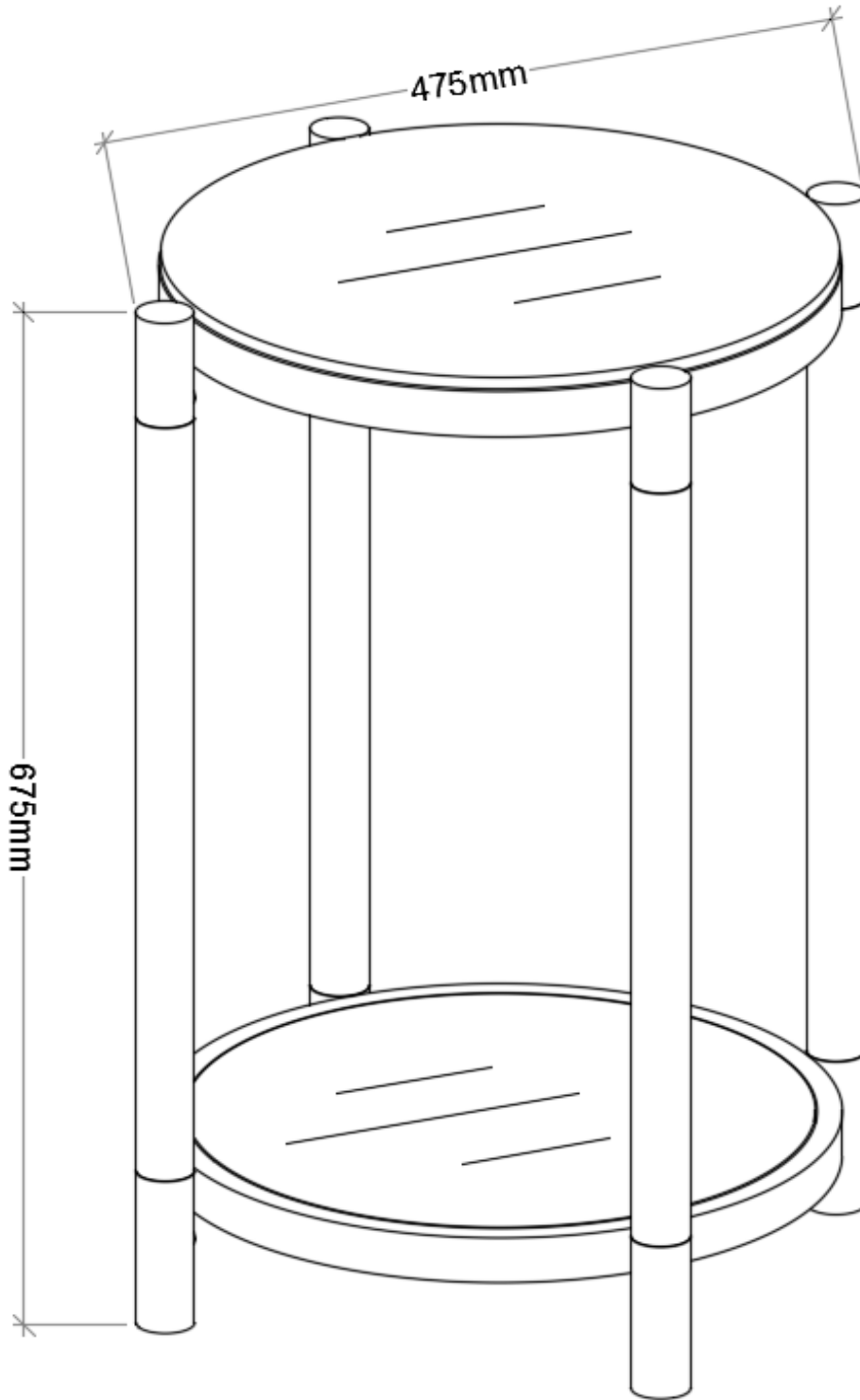
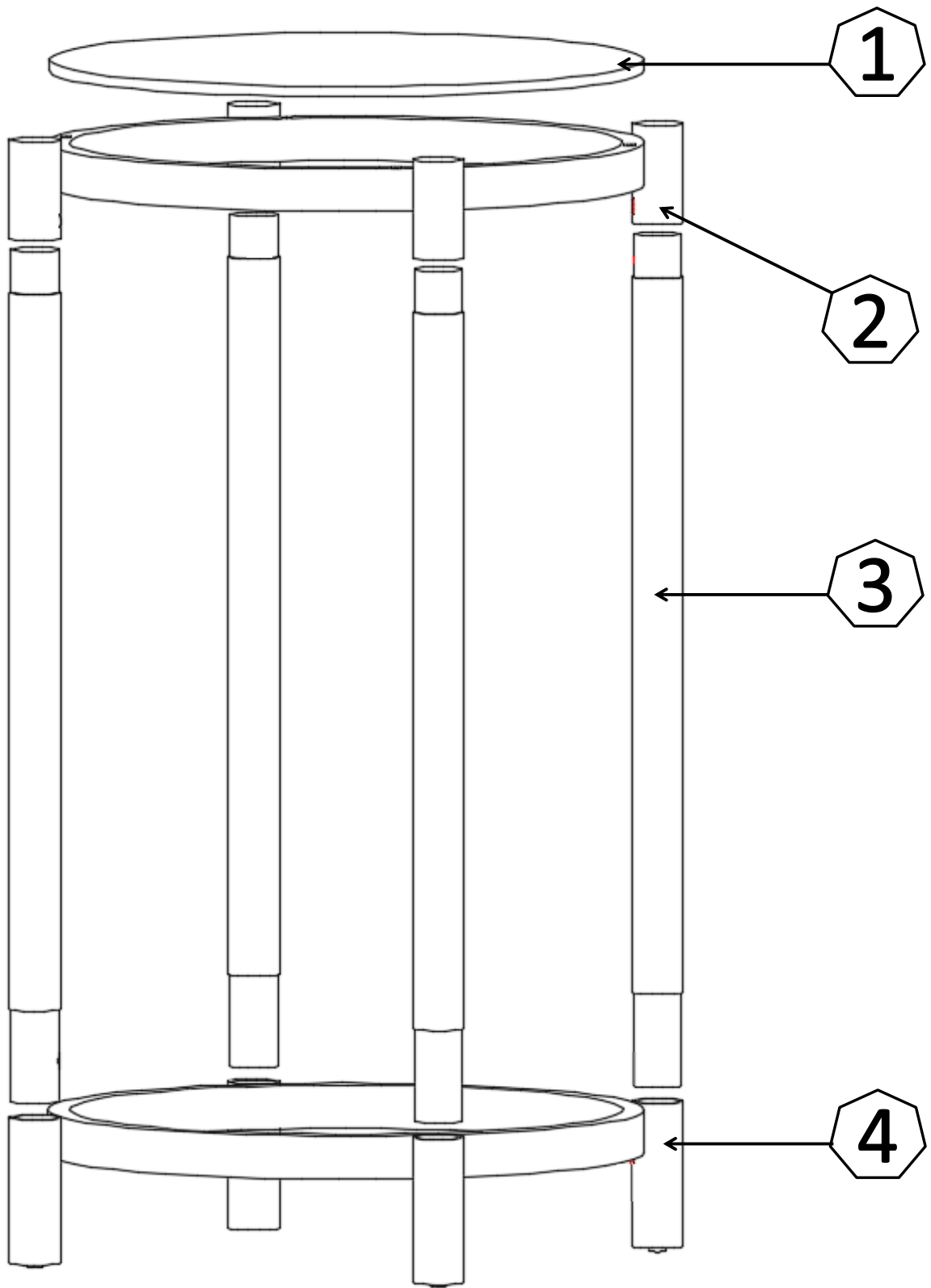
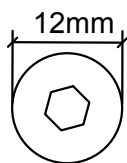


Assembly Instruction

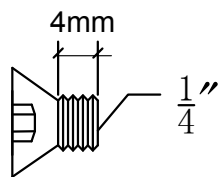
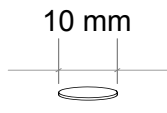




A X 8PCS



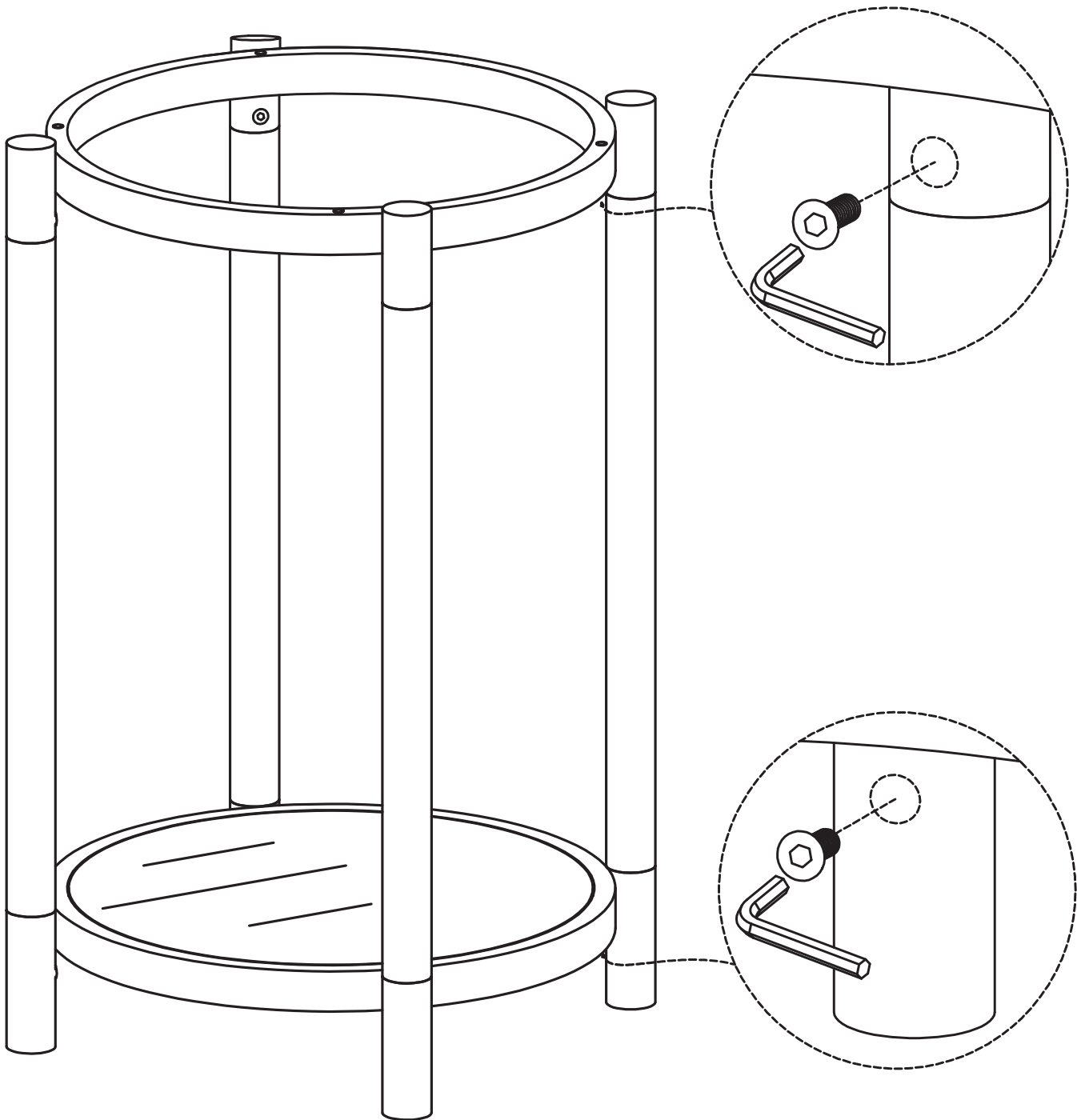
B X 4PCS



C X 1PC



1



A X 8PCS

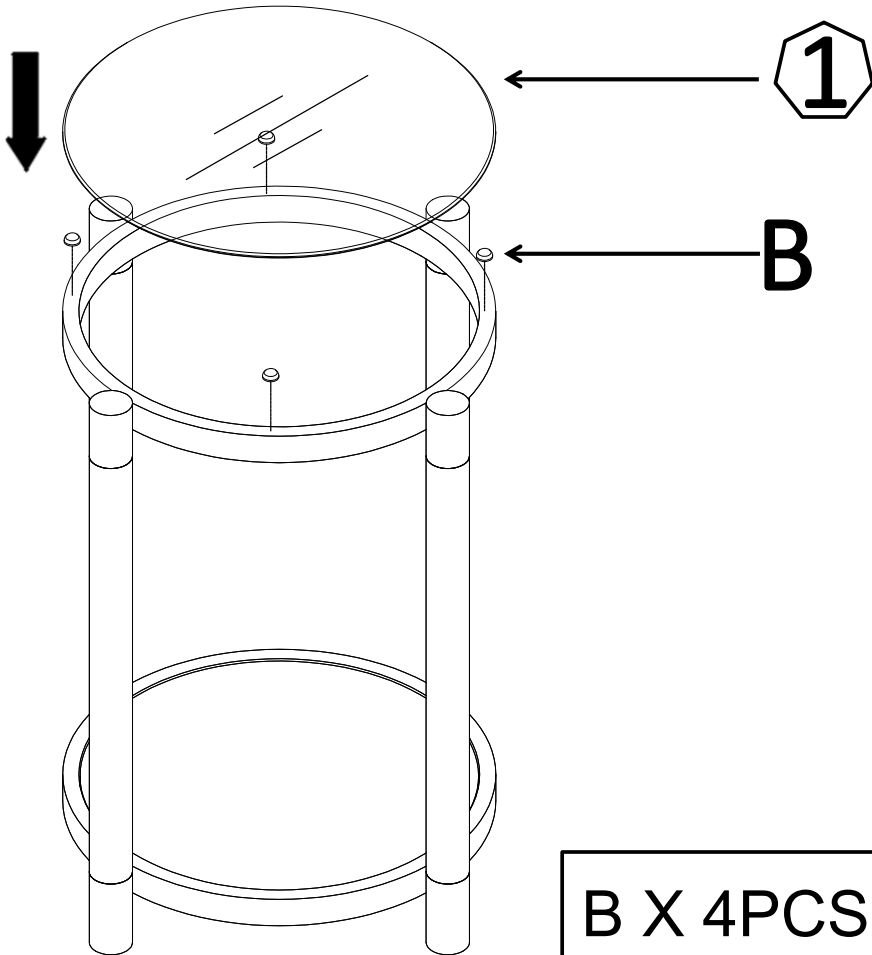
CX 1PC

12mm

4mm

1/4"

2



3

