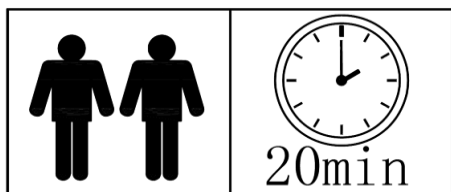
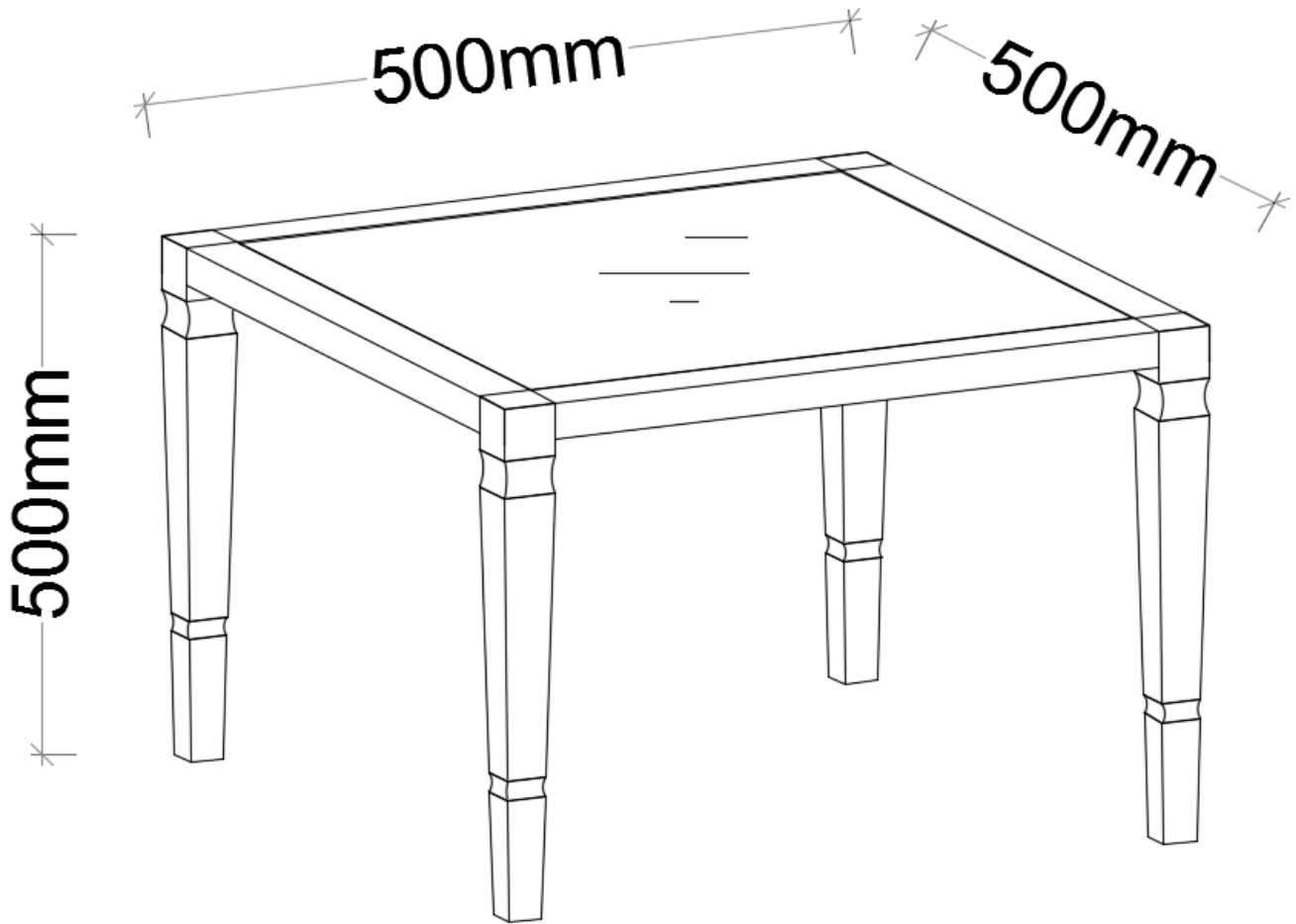
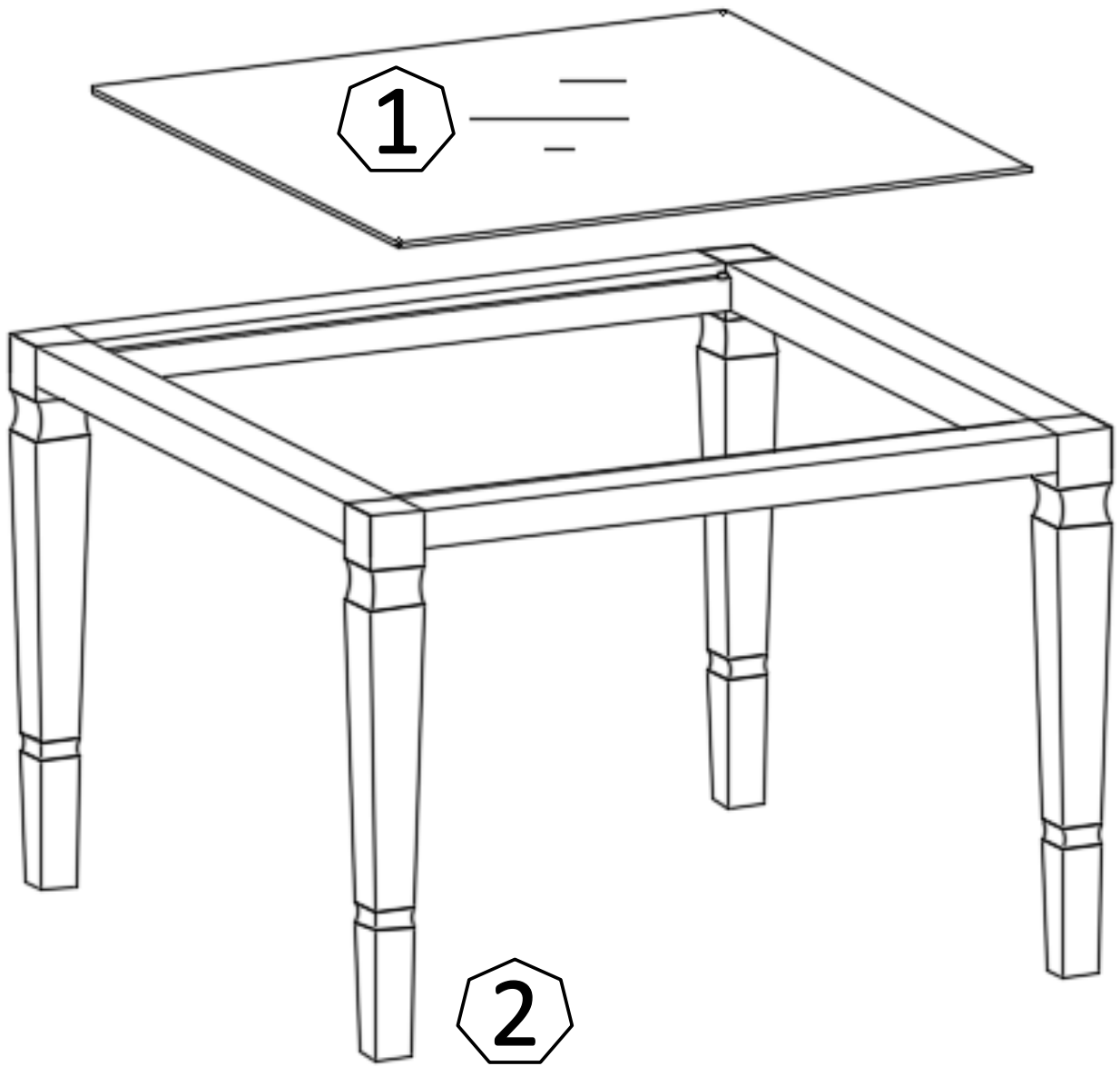


Assembly Instruction





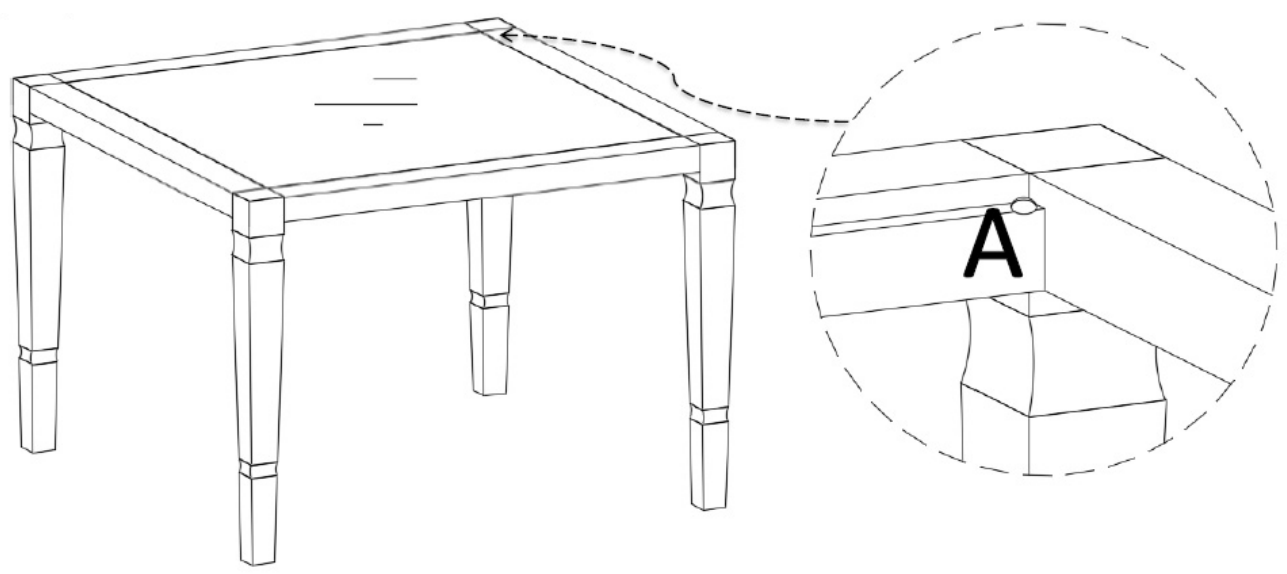
A X 4pcs

5mm



2mm

1



A X 4pcs

5mm

2mm

2

