

ASSEMBLY INSTRUCTION

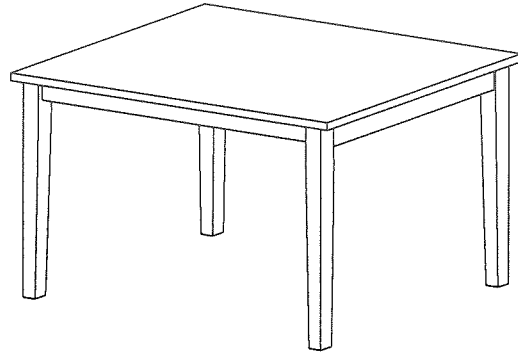
MODEL: JACK TABLE

Thank you for purchasing this products. This product has been designed for easy assembly and constructor for durability. Pleased take time to read and follow the assembly instructions.

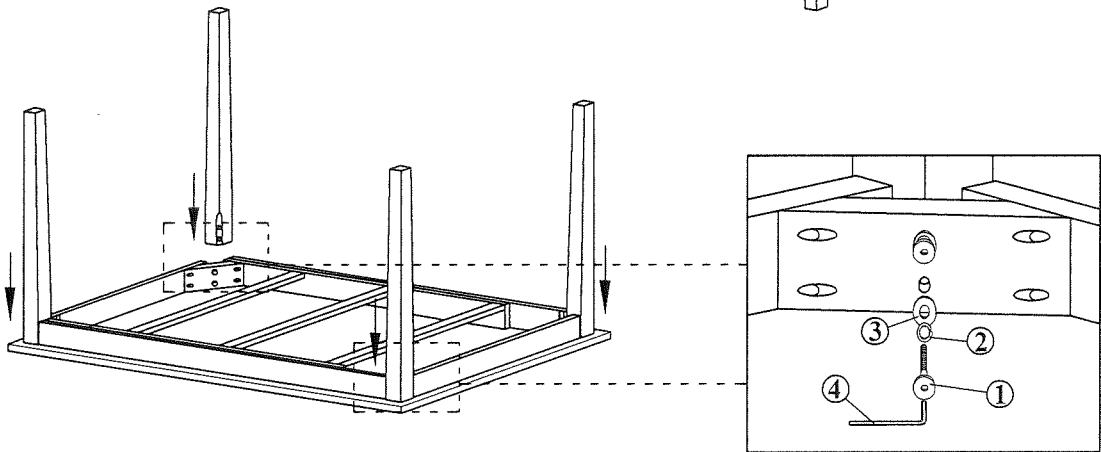
IMPORTANT NOTES:-

1. Please see the hardware & part list for guidance.
2. Please place all wooden parts on a clean and smooth surface such as rug or carpet to avoid the parts from being stratched.
3. Please check to ensure you have all parts and hardware's.
4. Do not tighten all screw / bolts until all completely assembled.

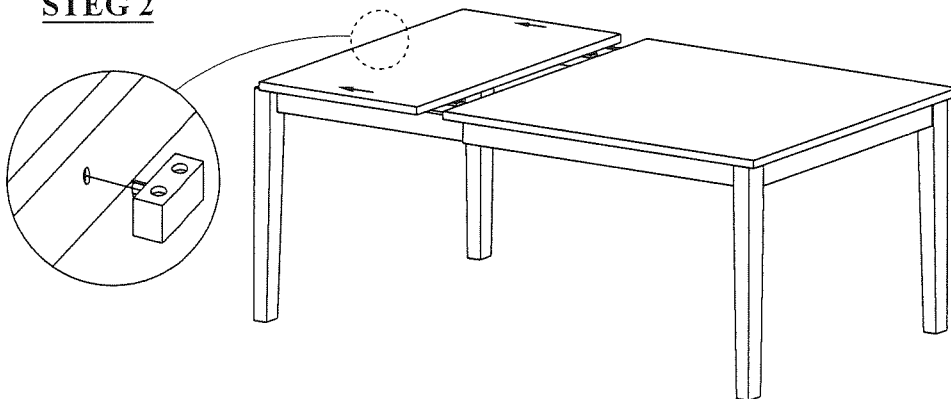
NO	HARDWARE LIST	QTY
1	JCBB M8 x 60MM	8PCS
2	SPRING WASHER 5/16"	8PCS
3	FLAT WASHER 5/16"x 22 x 1	8PCS
4	M5 ALLEN KEY (BLK)	1PC



STEG 1



STEG 2



STEG 3

