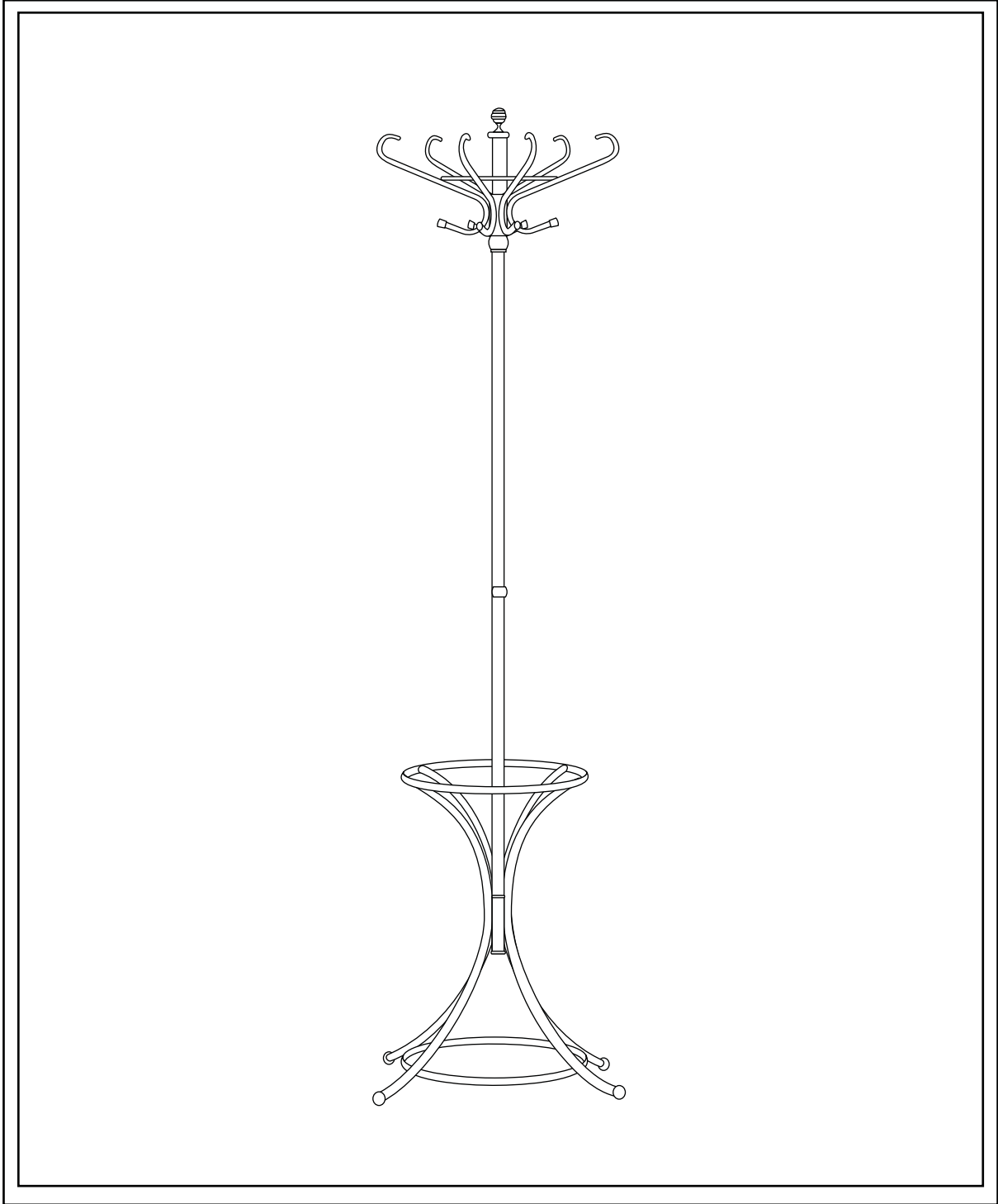
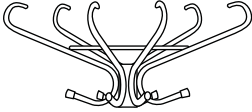
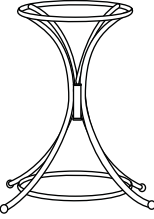
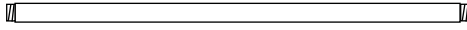
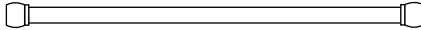
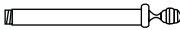


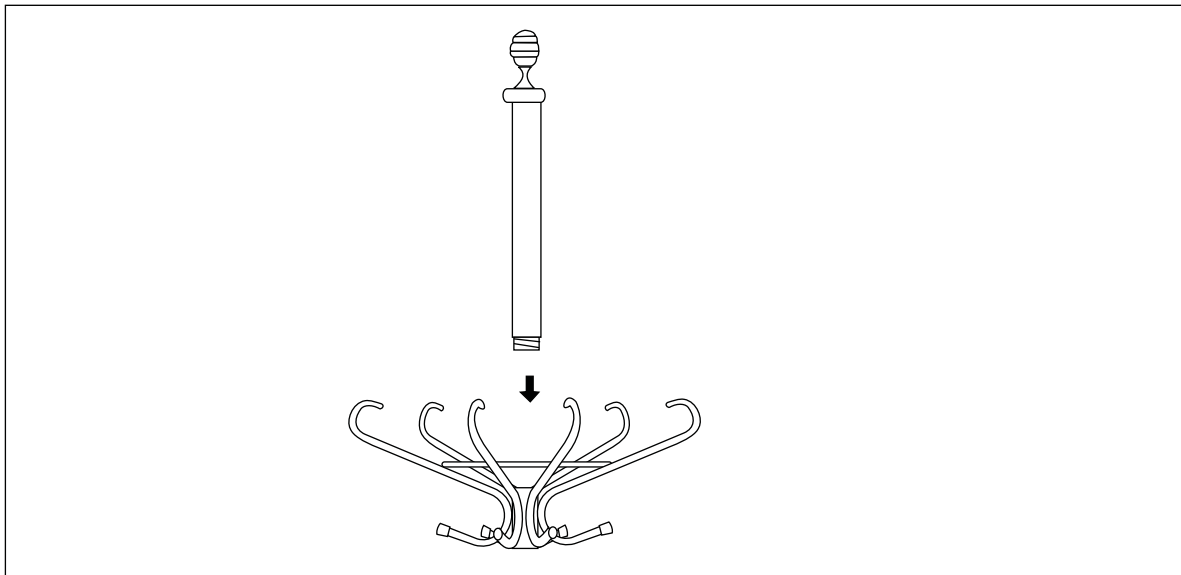
ASSEMBLY INSTRUCTIONS

Coatstand Draycott - Silver - No Size
1586982-01-0

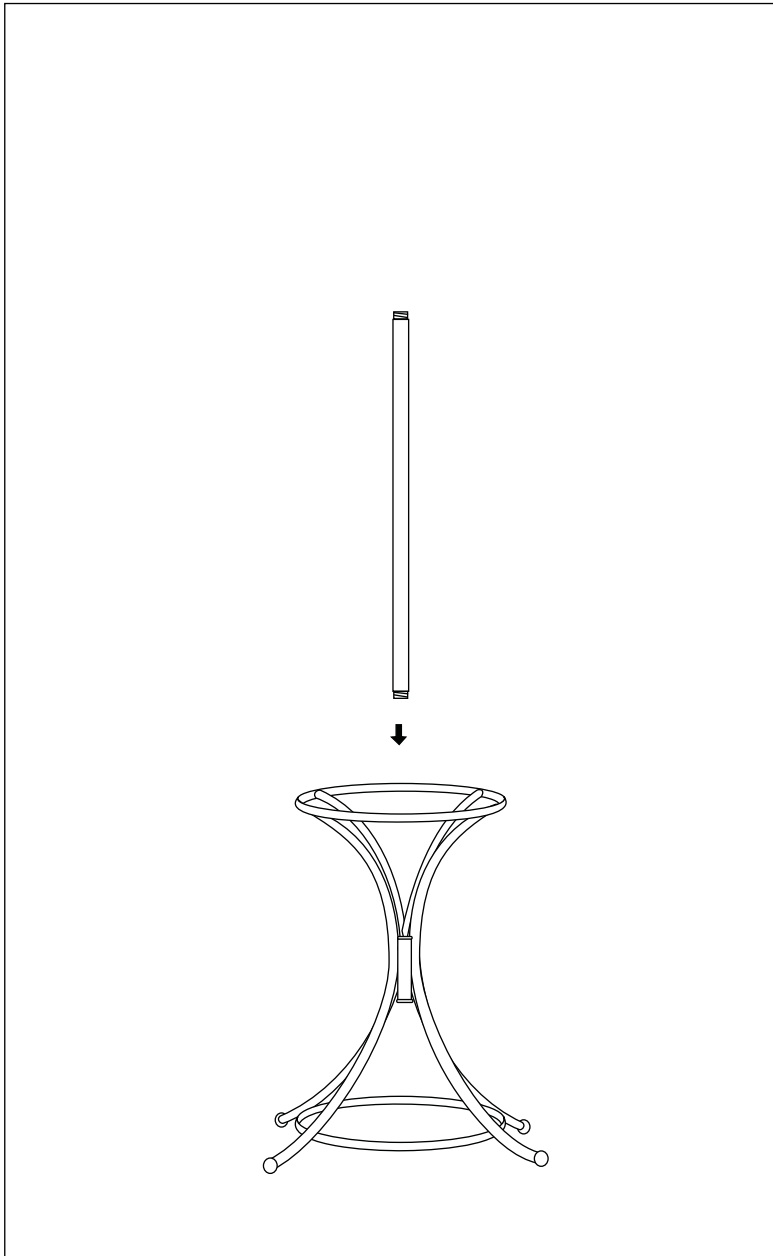


Ltr.	Qty.	Component	
A	1		Coat Hanger
B	1		Base
C	1		Bottom Pipe
D	1		Center Pipe
E	1		Top Pipe

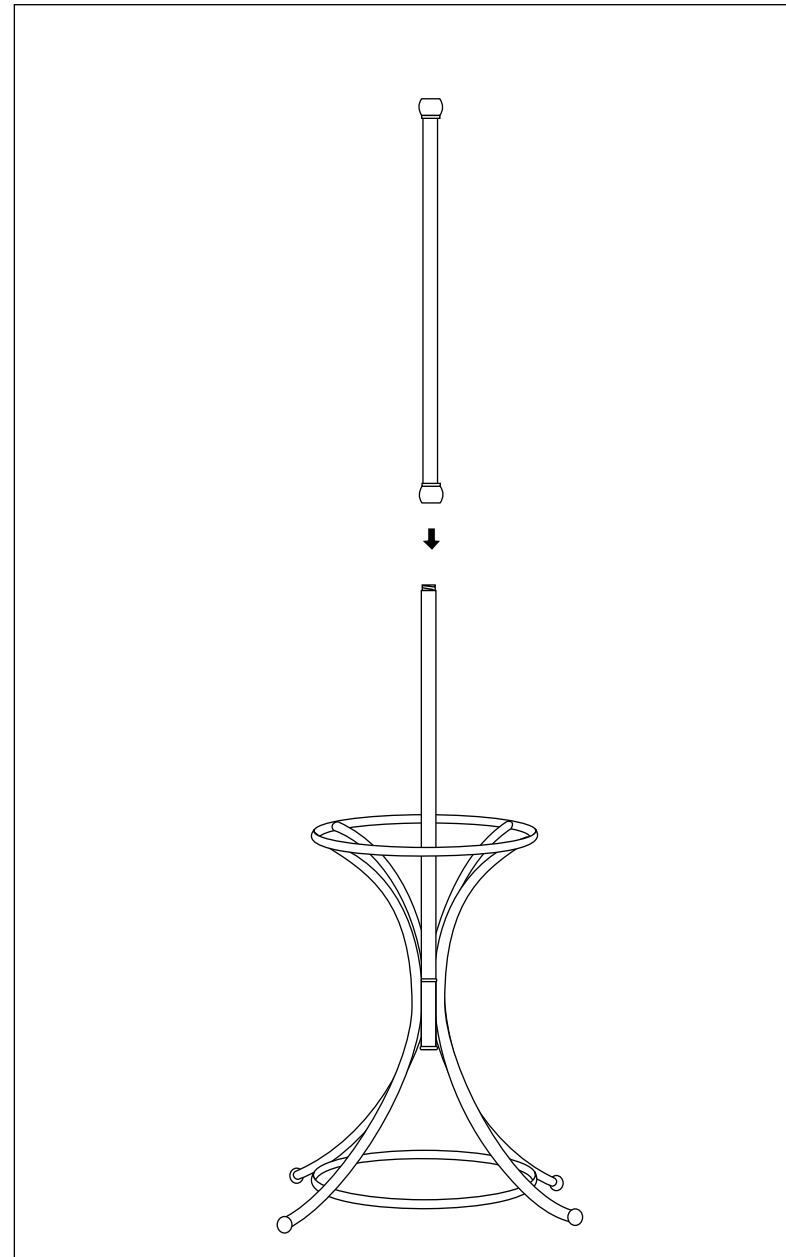
Step 1 : Tightly screw the Top Pipe (E) with the Coat Hanger (A)



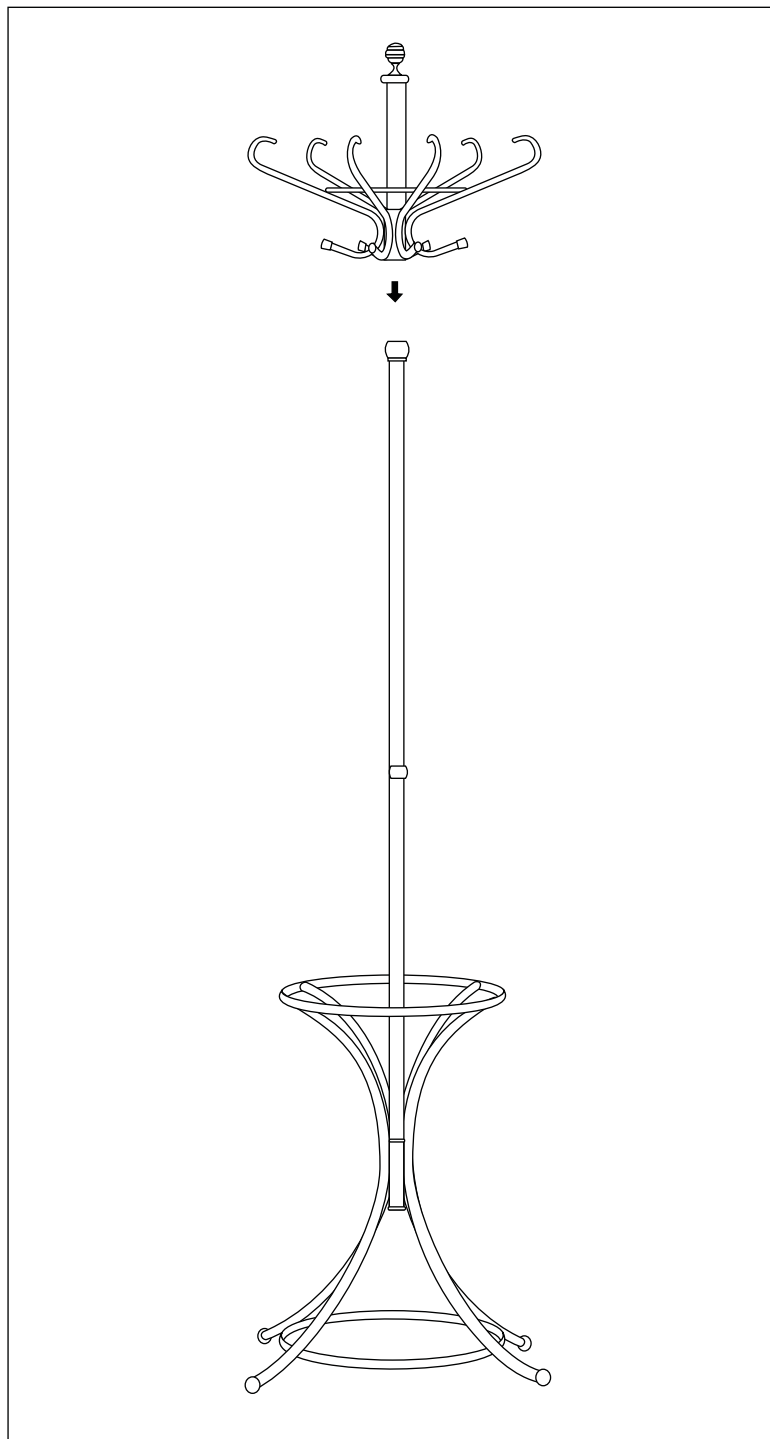
Step 2 : Tightly screw the Bottom Pipe (C)
with the Base (B)



Step 3 : Tightly screw the Center Pipe (D)
with the Bottom Pipe (C)



Step 4 : Tightly screw the Center Pipe (D)
with the Bottom Pipe (C)



Note - At the time of assembly, the hook crown is slid from the top. At the time of assembly, the poles may gather scratches, handle carefully.