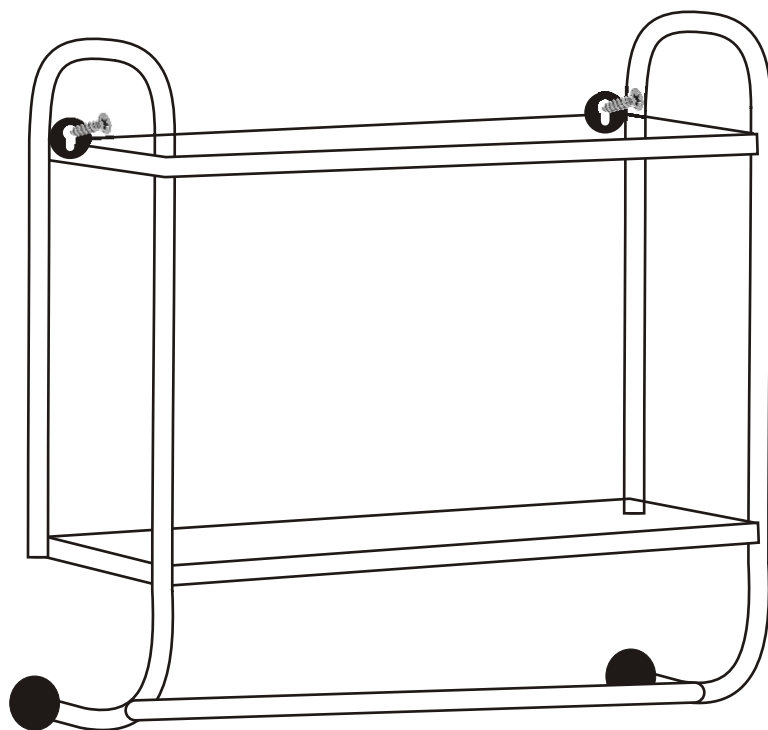


ASSEMBLY INSTRUCTION

HARDWARE



Part - 1



Part - 2

