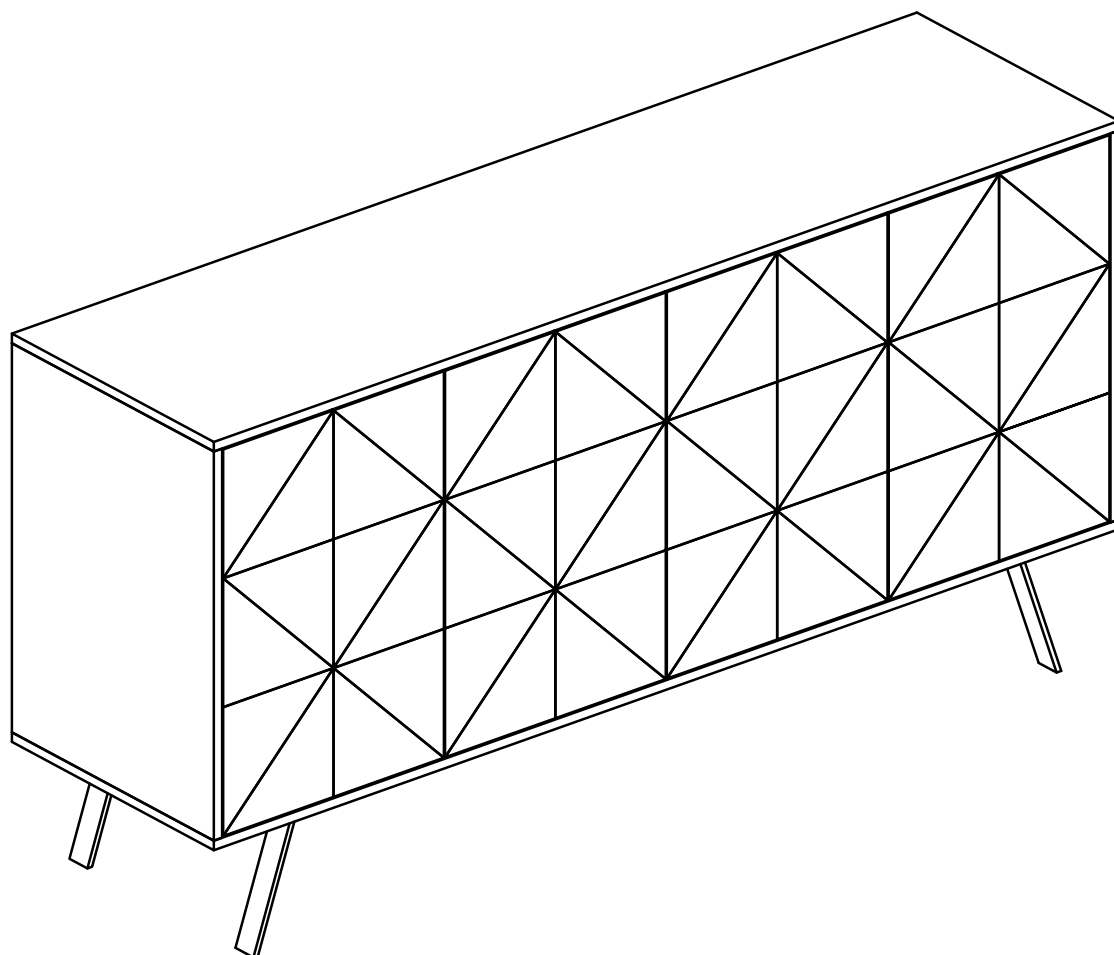
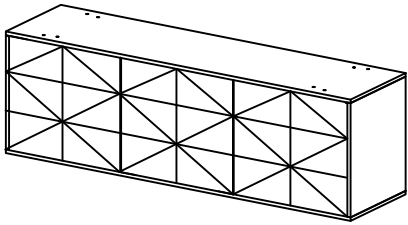



ASSEMBLY INSTRUCTIONS



1597641-01




Component List

Label	Picture	Description	Qty
A		SIDEBOARD	1
B		Leg	4

Hardware List

Label	Picture	Description	Qty
H1		Large Allen Bolt M6 x 20 mm	8
H2		Large Flat Washer M8 x 16 mm	8


Tool List


Label	Picture	Description	Qty
T1		Allen Key 4 mm	1

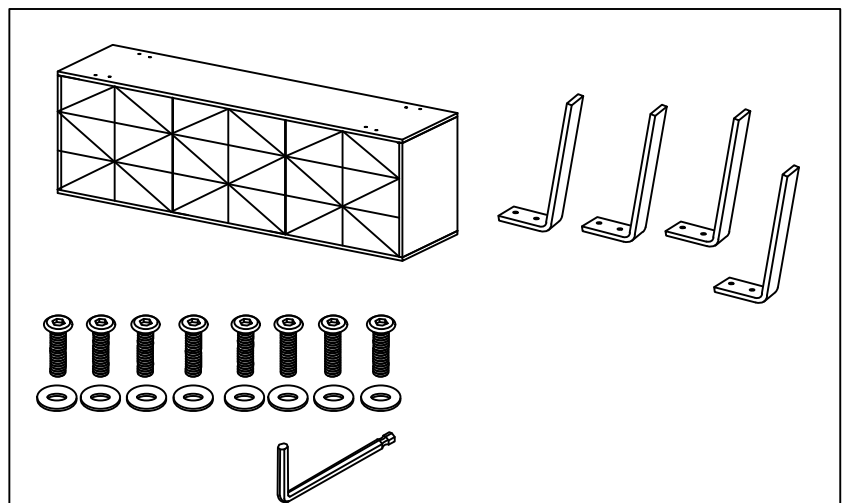
Assembly Prep

Before Beginning:

* Save all packaging until finished. 

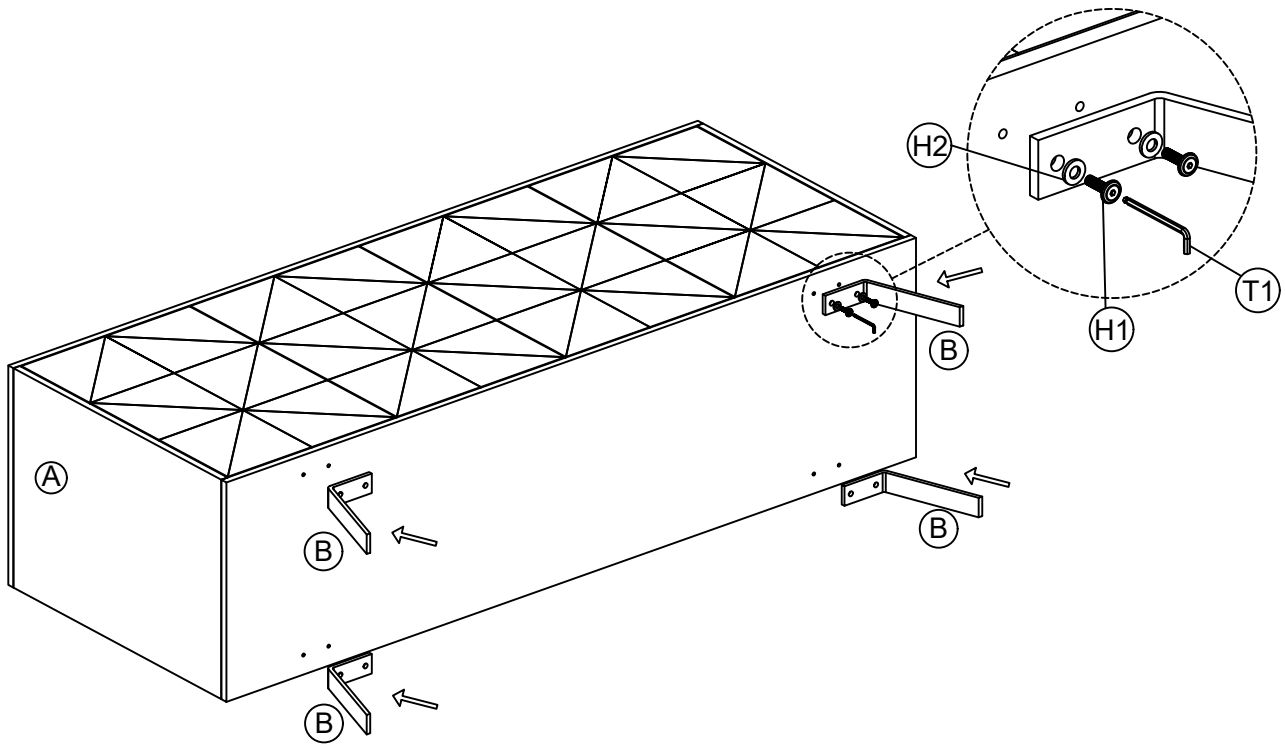
* Read Instructions, cover to cover. 

* Have 2 adults on hand for assembly. 



Assembly Steps

Step 1



Careful : Extremely heavy product.

Place Side Board Top (A) upside down on a non-damaging padded surface. Insert and align leg (B) into the pre-attached metal frame underneath the Side Board Top (A) and secure using 2 Allen bolt (H1) and 2 small Washer (H2). Fully tighten using Allen key (T1). Follow the same step to assemble other legs (B).