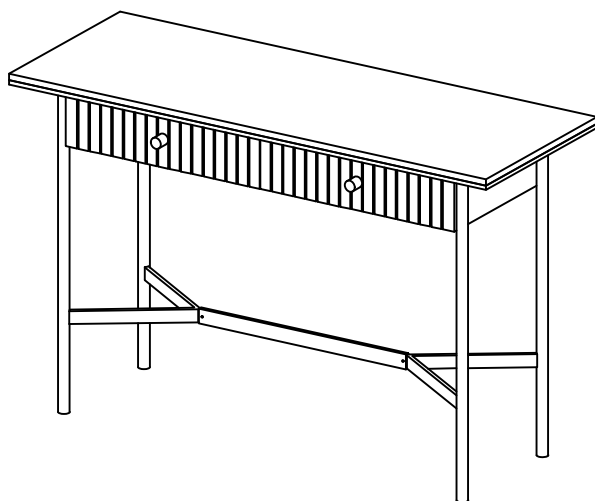
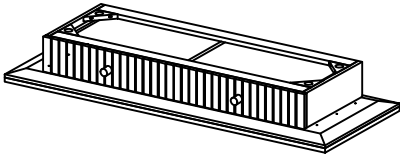
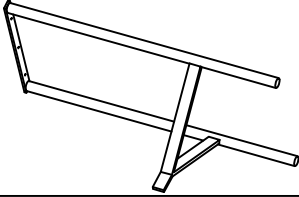
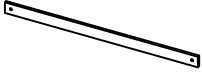


ASSEMBLY INSTRUCTIONS





1597643-01




Component List

Label	Picture	Description	Qty
A		Desk	1
B		Leg	2
C		Stretcher	1

Hardware List


Label	Picture	Description	Qty
H1		Allen Bolt Large 16 x 6 mm	6
H2		Flat Washer 8 mm	6
H3		Allen Bolt Small 10 x 6 mm	4
H4		Flat Washer 6.5 x 15.5 mm	4


Tool List


Label	Picture	Description	Qty
T1		Allen Key 4 mm	1

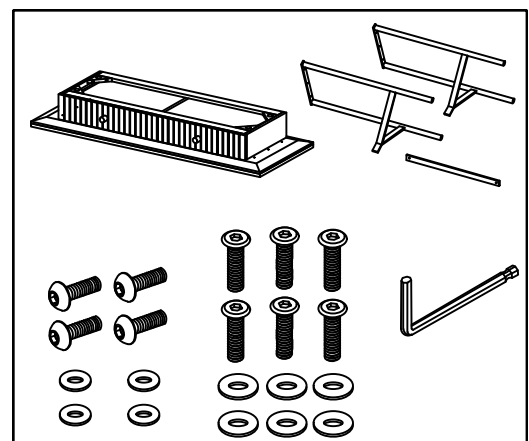
Assembly Prep

Before Beginning:

* Save all packaging until finished. 

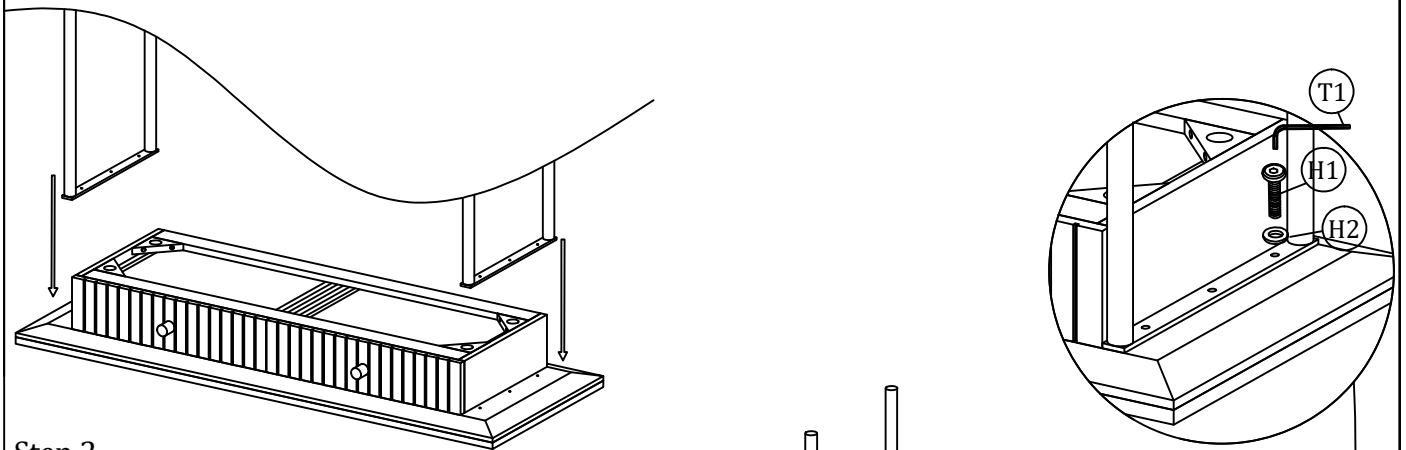
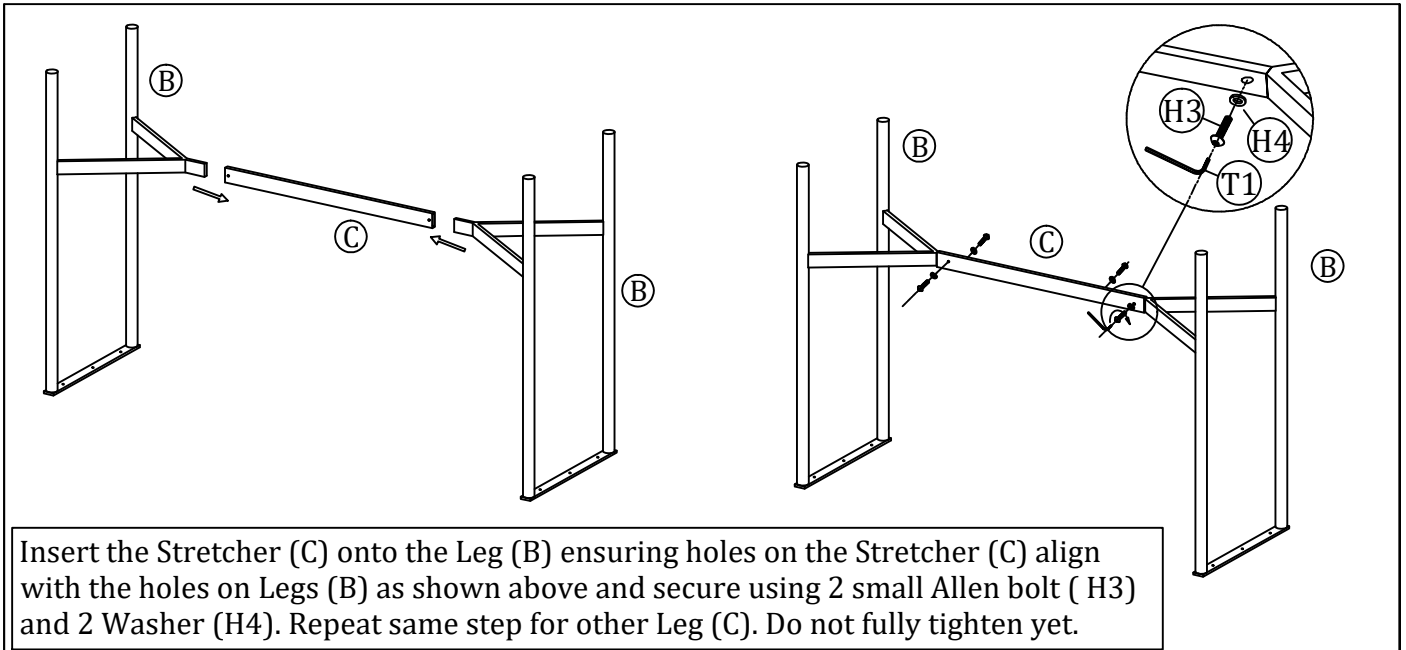
* Read Instructions, cover to cover. 

* Have 2 adults on hand for assembly. 



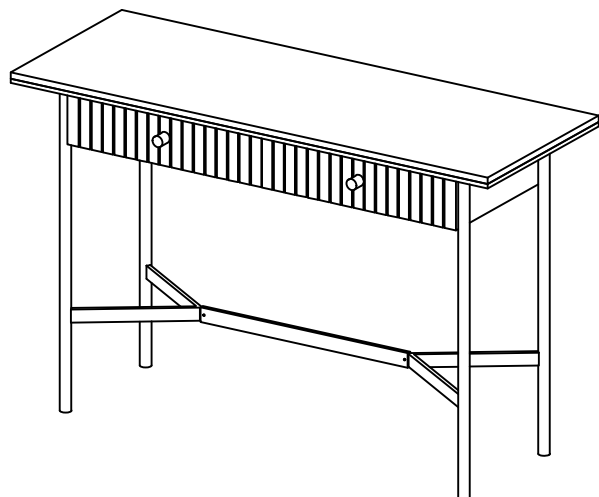
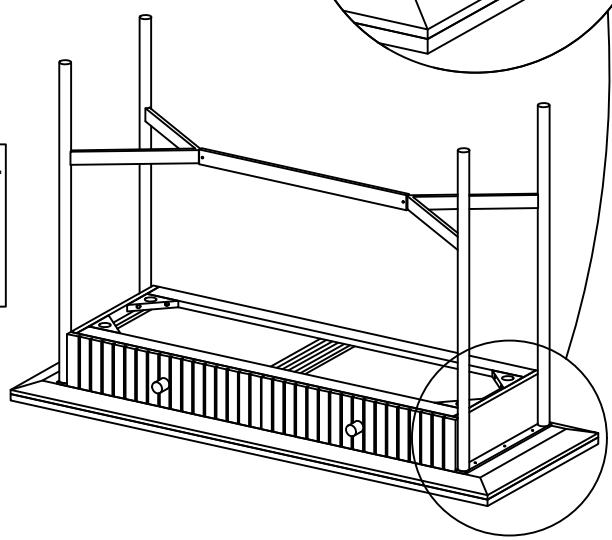
Assembly Steps

Step 1



Step 2

Align Pre-assembled Leg Frame (B+C) on the Desk (A). Make sure the holes on the underside of the Desk (A) aligned with the holes on the Leg Frame (B+C). Fully tighten all connections using Allen Key (T1).



Turn the piece upright. Product is ready to use.