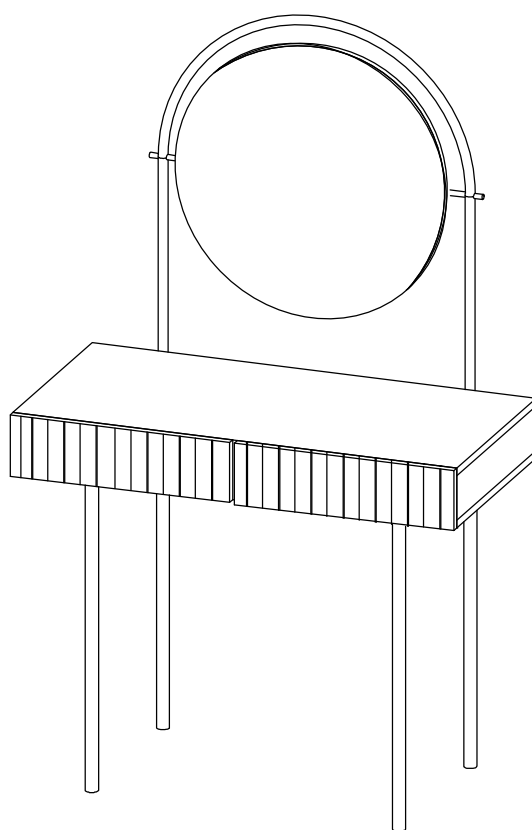
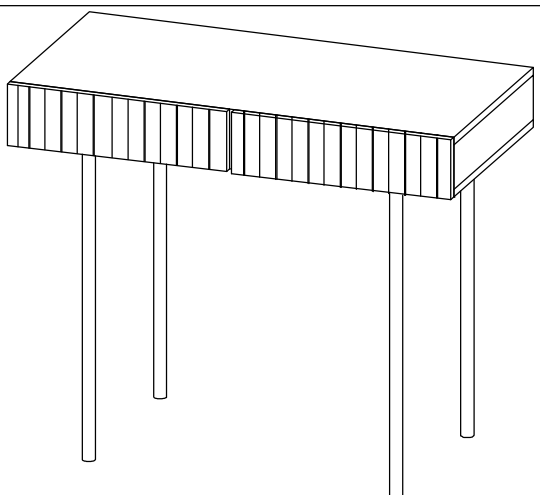
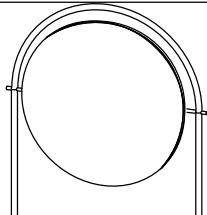


ASSEMBLY INSTRUCTIONS


1597646-01




Component List

Label	Picture	Description	Qty
A		Desk	1
B		Mirror	1

Hardware List

Label	Picture	Description	Qty
H1		Small Allen Bolt 6 x 10 mm	4


Tool List


Label	Picture	Description	Qty
T1		Allen Key 4 mm	1

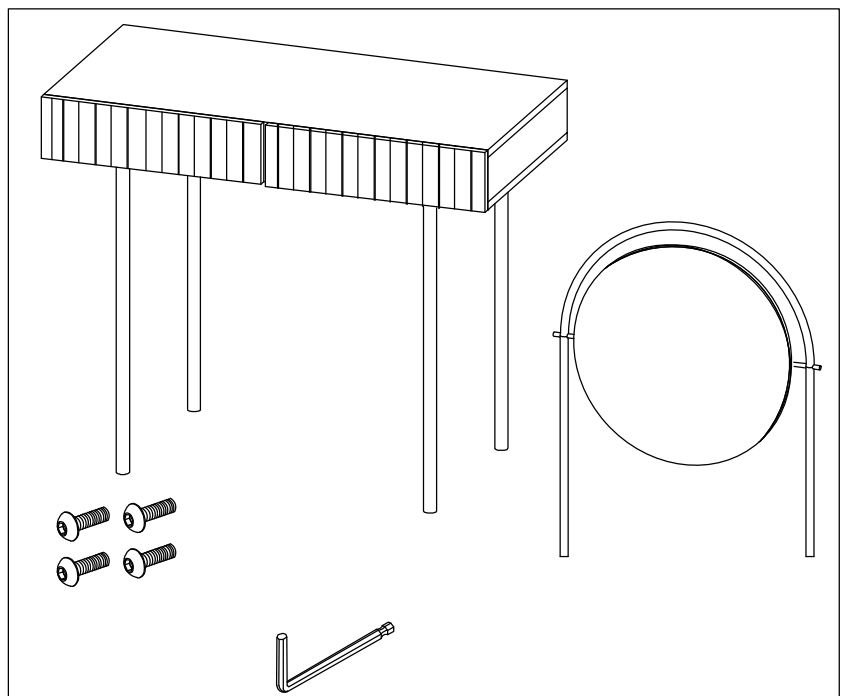
Assembly Prep

Before Beginning:

* Save all packaging until finished. 

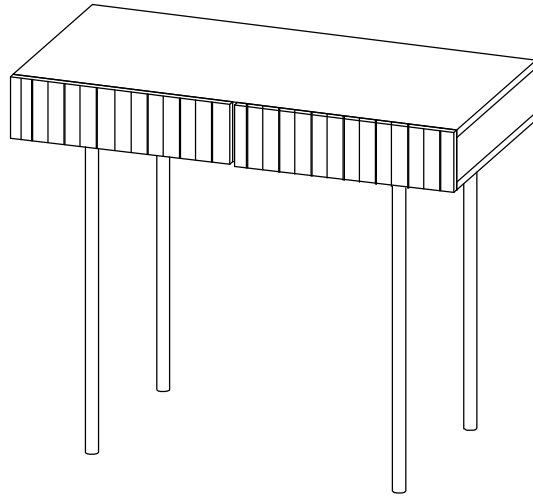
* Read Instructions, cover to cover. 

* Have 2 adults on hand for assembly. 

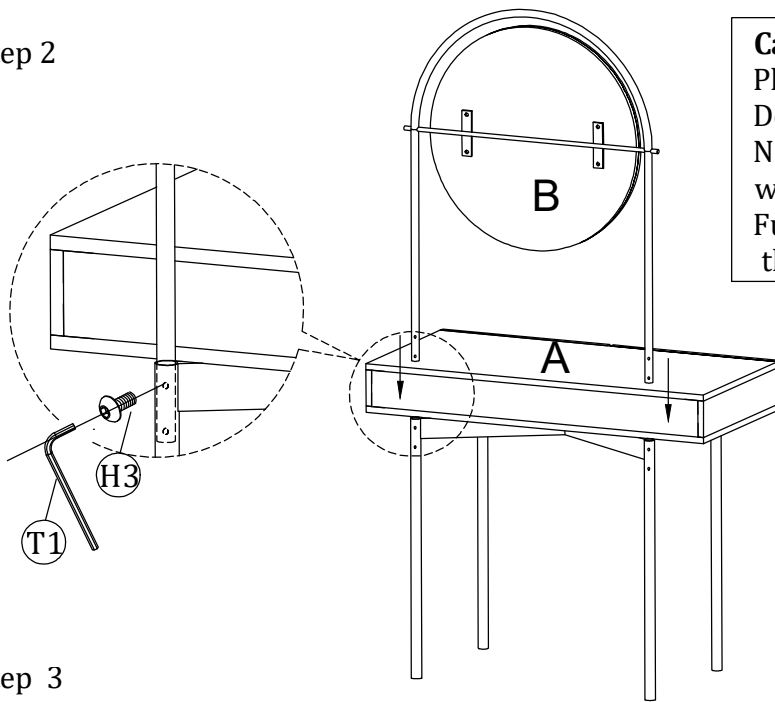


Assembly Steps

Step 1



Step 2



Careful : Fragile product.

Place Mirror Frame (B) inside pipe with Desk (A) as shown in picture.
Note : carefully insert the pipe till matching with hole to hole then insert Bolt (H3).
Fully tighten using Allen key (T1). Follow the same step to other leg.

Step 3

