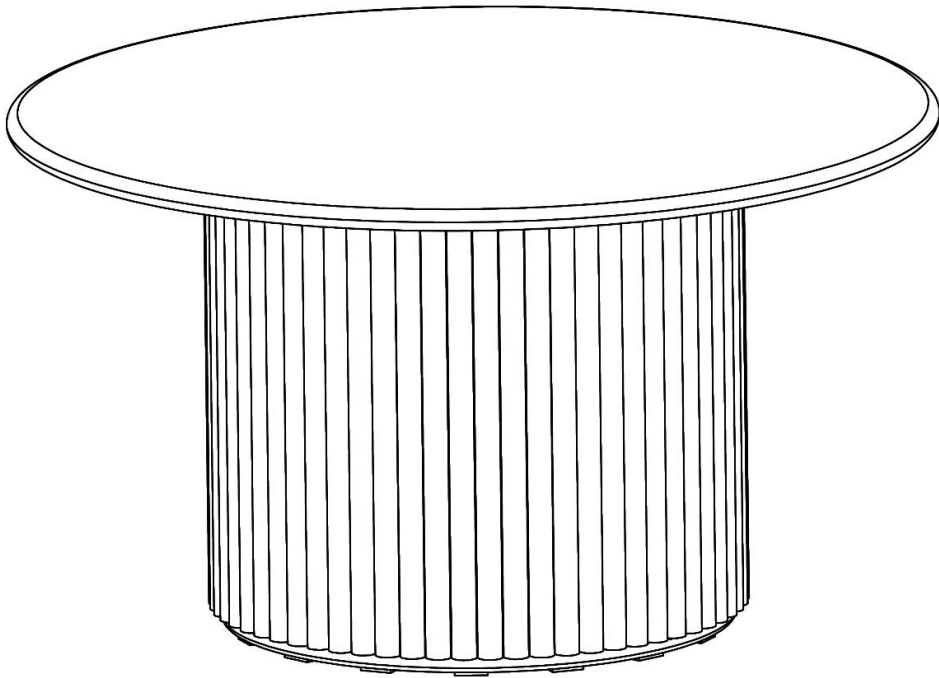
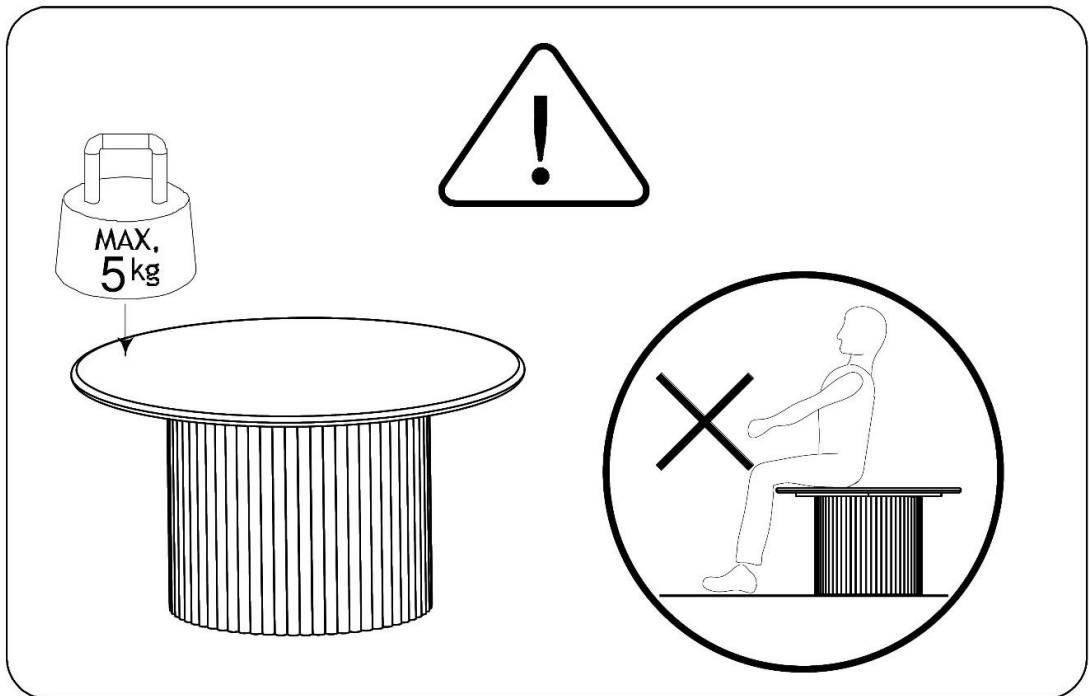
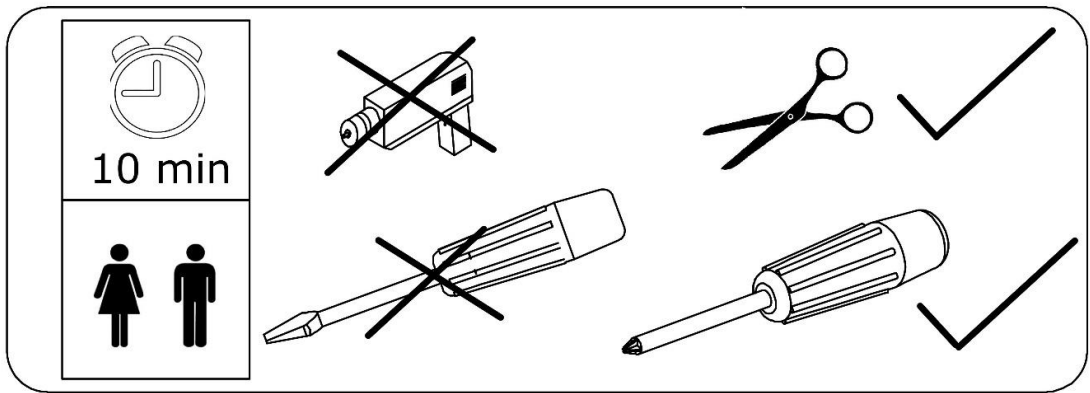
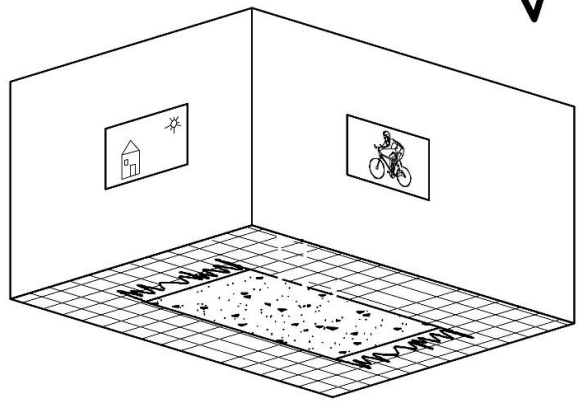
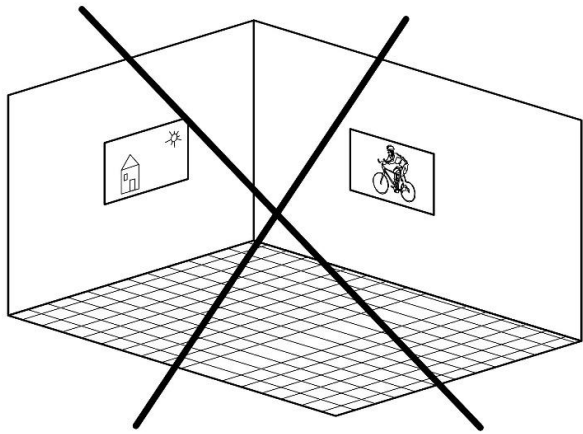


Coffee table



Important! Read carefully and retain for future reference

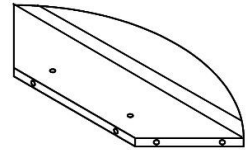
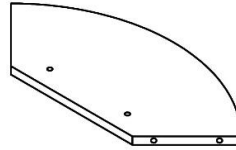
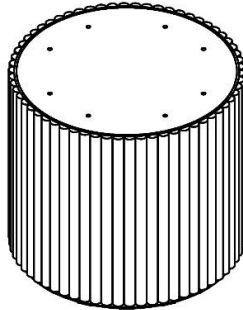
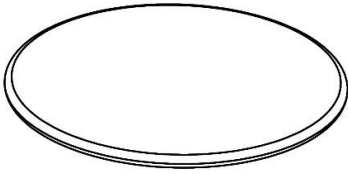


C1x1

C2x1

C3x2

C4x2



Ax8



Φ 8x30mm

Bx8



Dx1



6mm

Ex8



Φ 8x40mm

D2x4

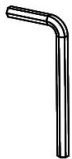


Fx4



Φ 6x25mm

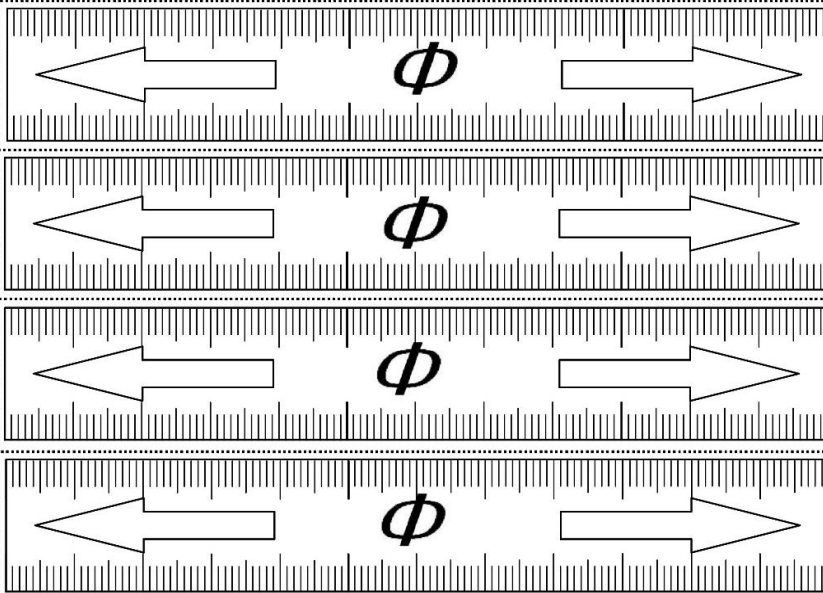
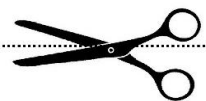
Gx1



4mm

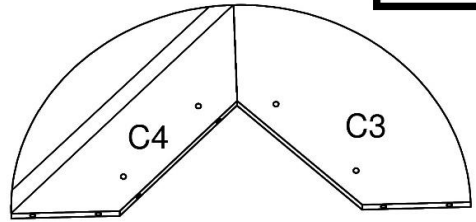
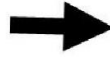
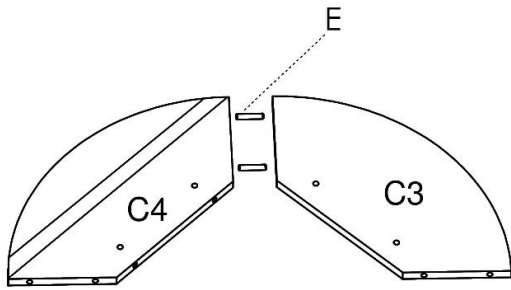
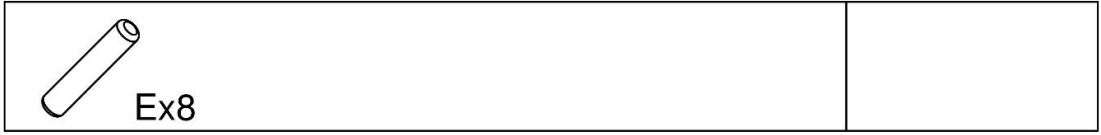


Cut out for diameter reference

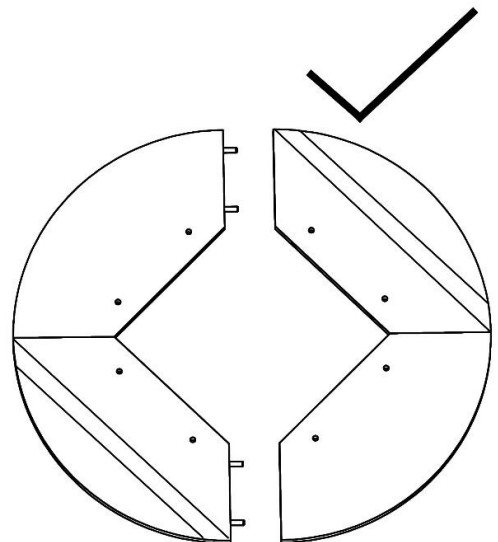
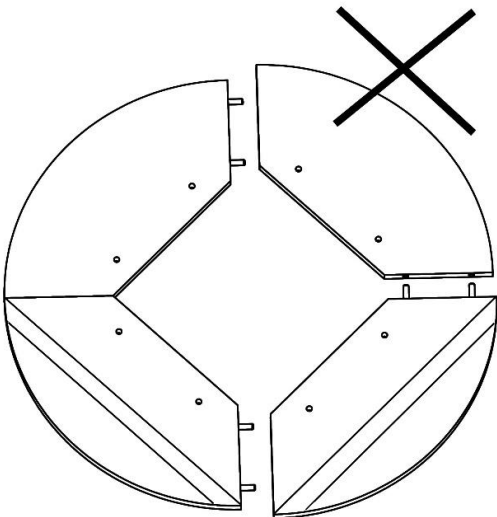
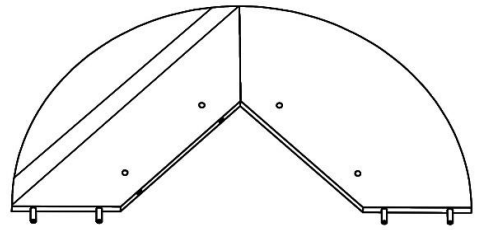
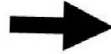
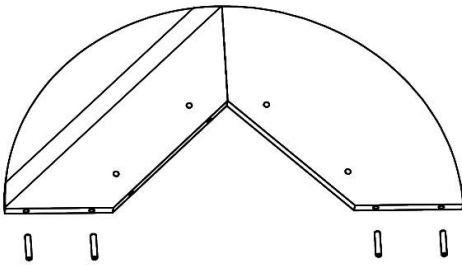


In case you need spare parts please indicate model number and part number shown in the assembly instruction

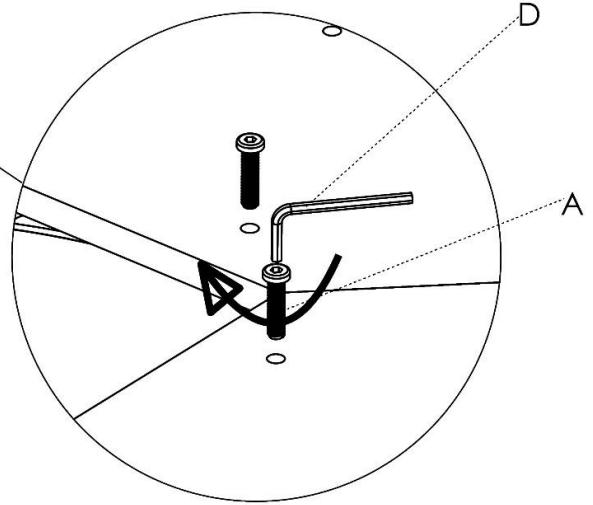
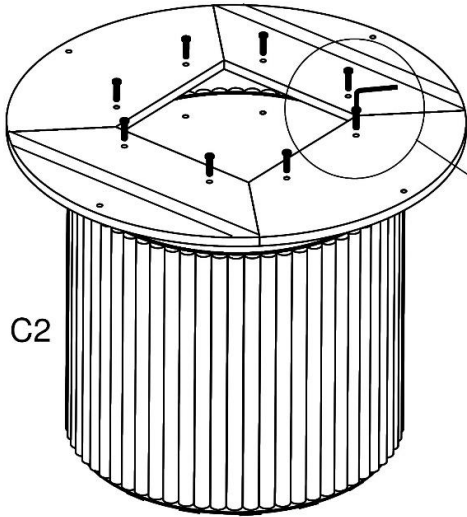
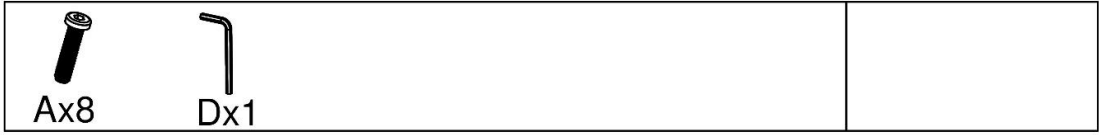
1



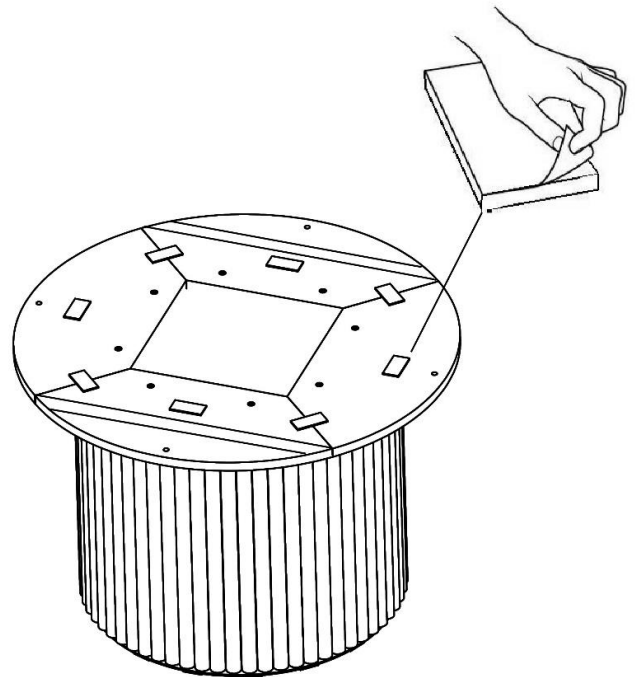
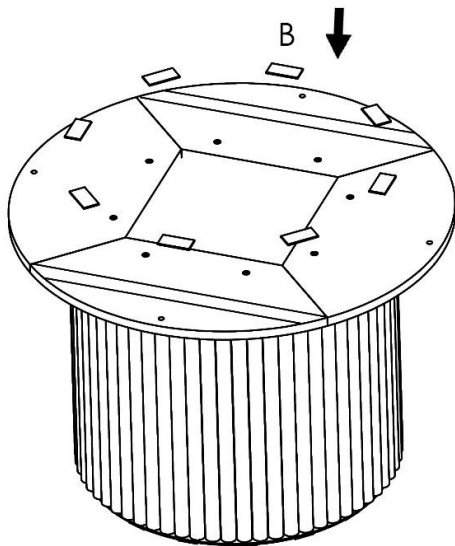
X2




2

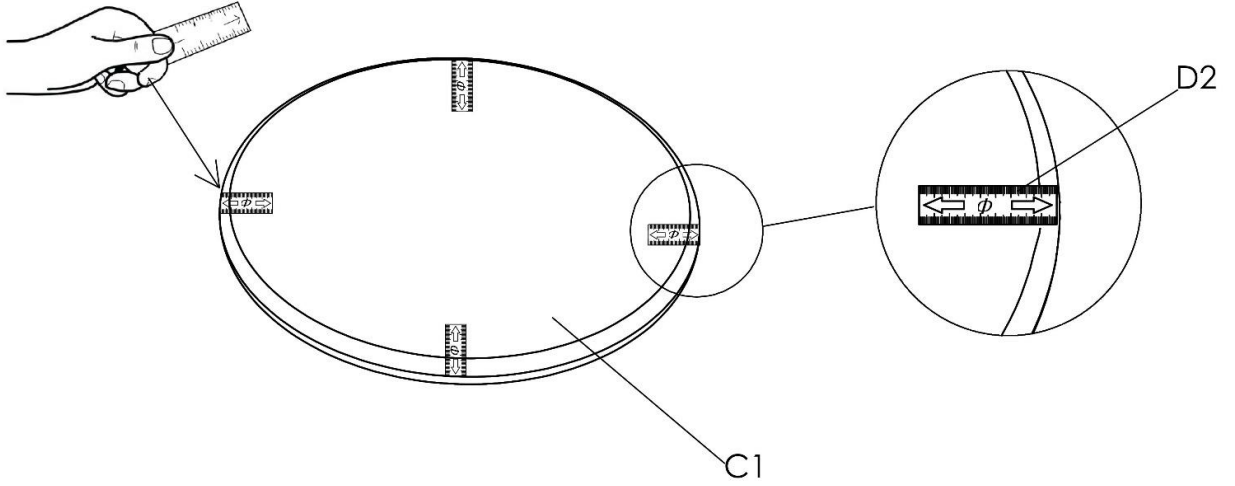


3



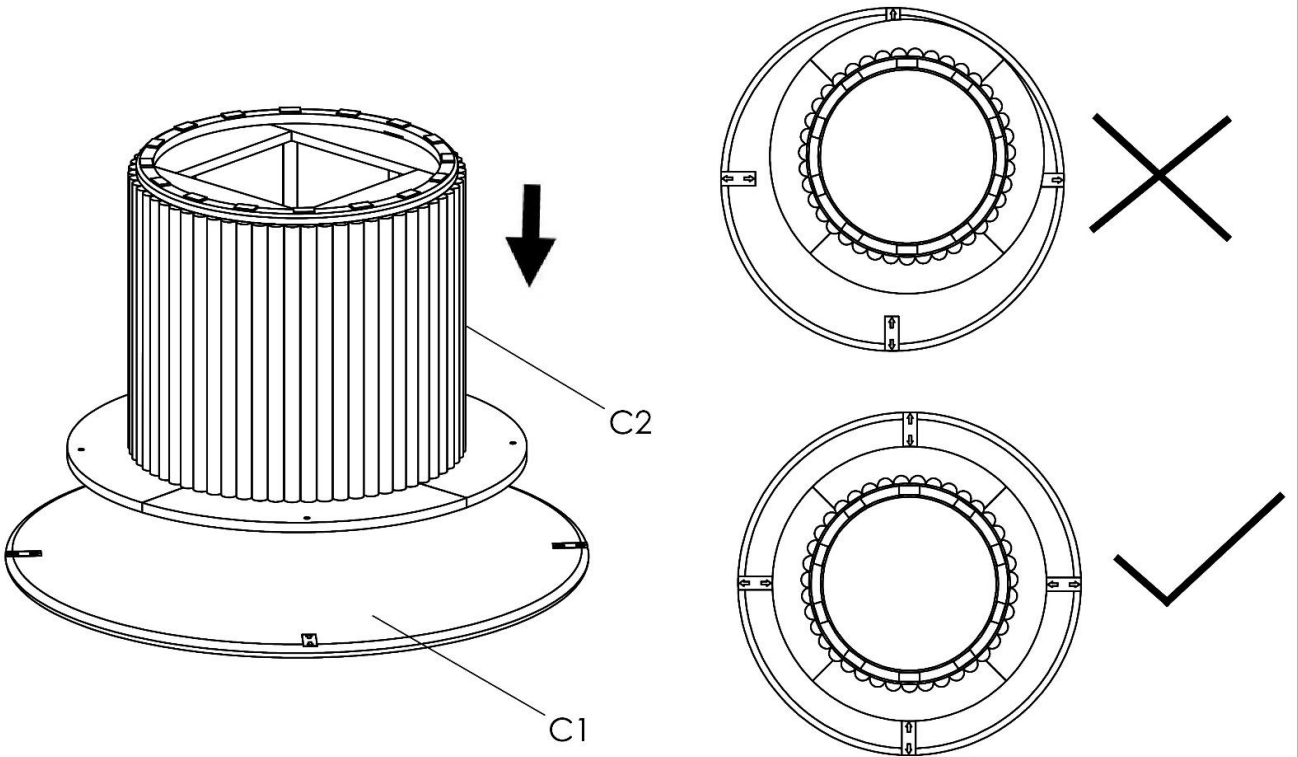
4

 D2x4	
---	--





5

--



6

 Fx4	 Gx1	* "F" bolts are not used for assembly of stone tops
--	--	--

