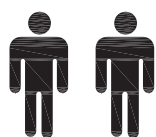
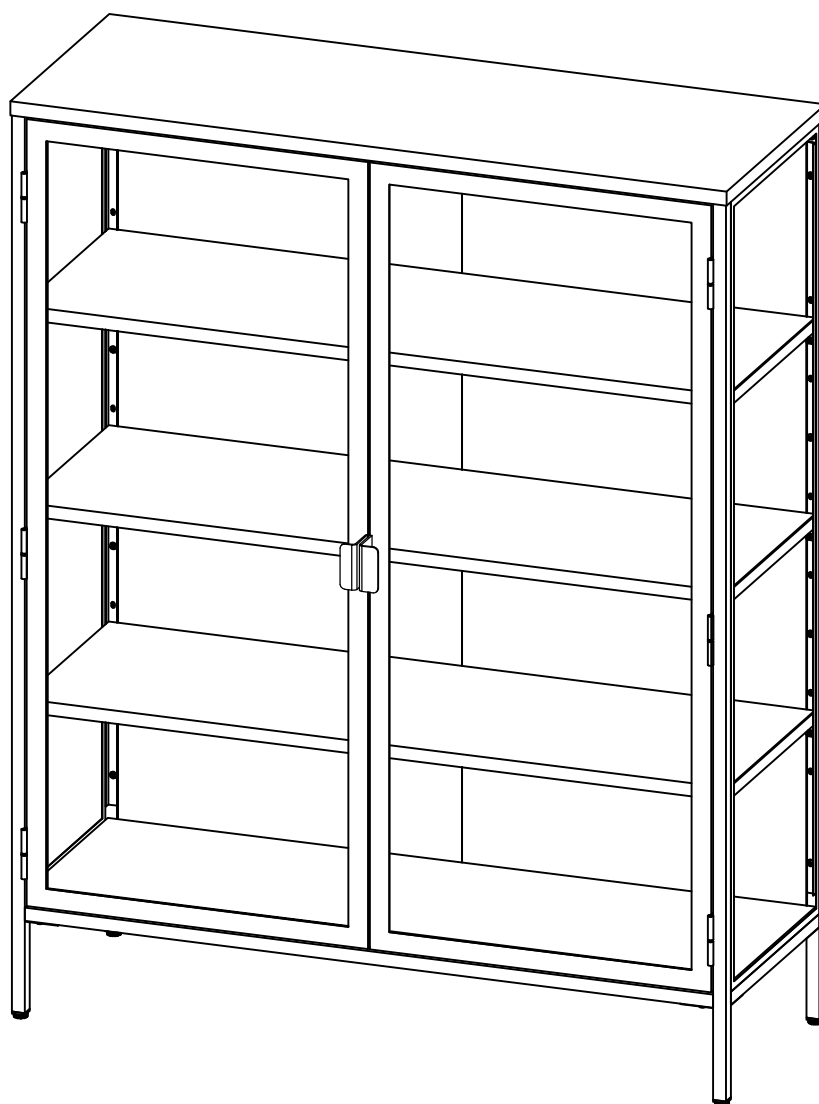
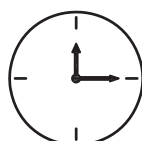


Jotex

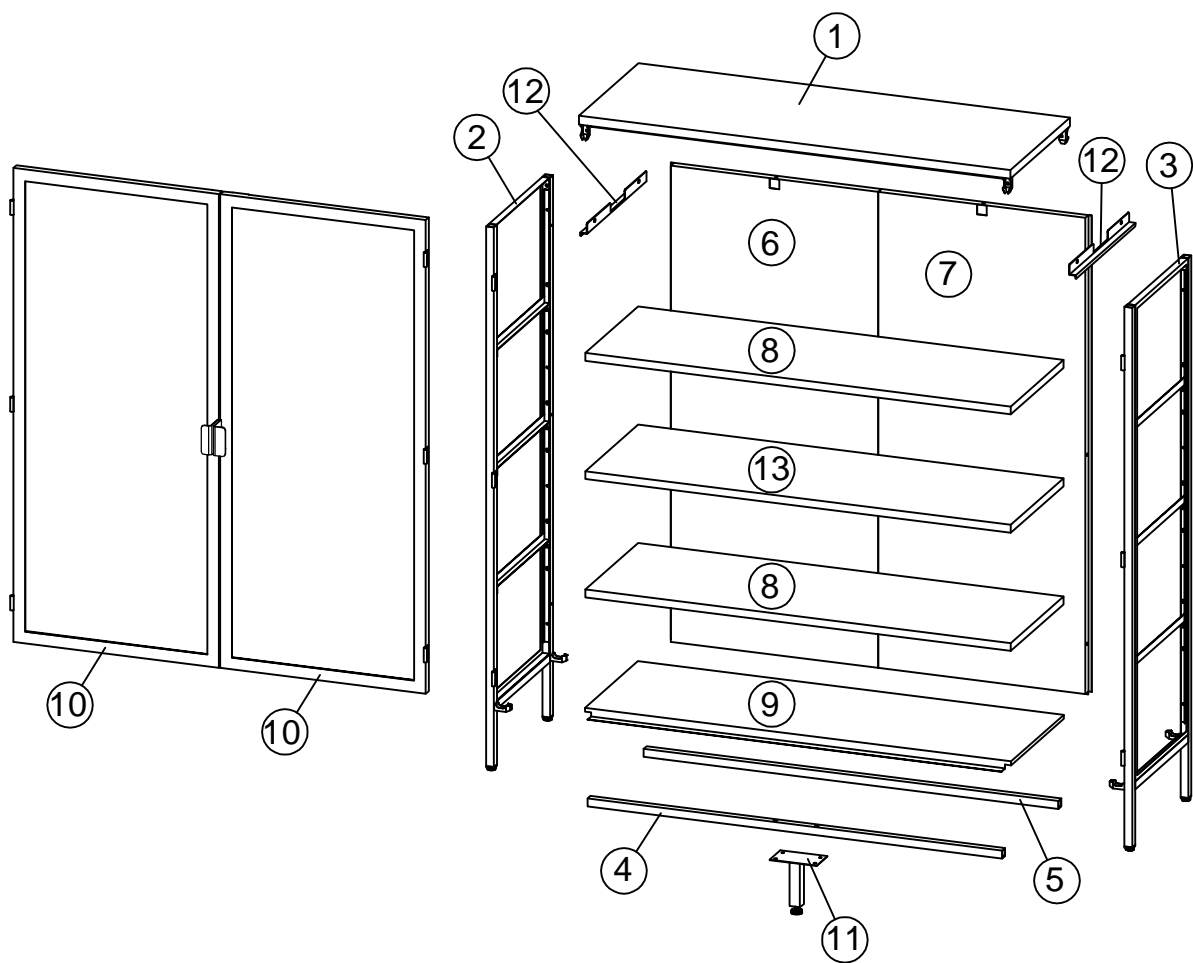
1600696-01-0



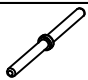
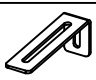

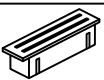



2 PERS.

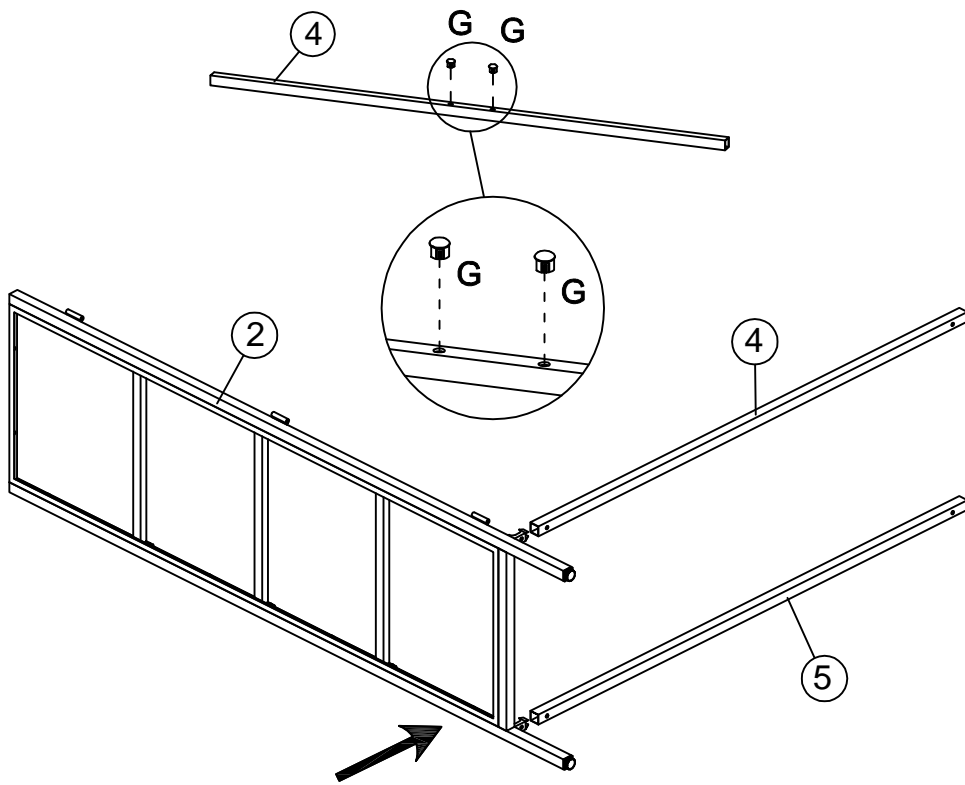


30 MIN



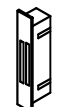
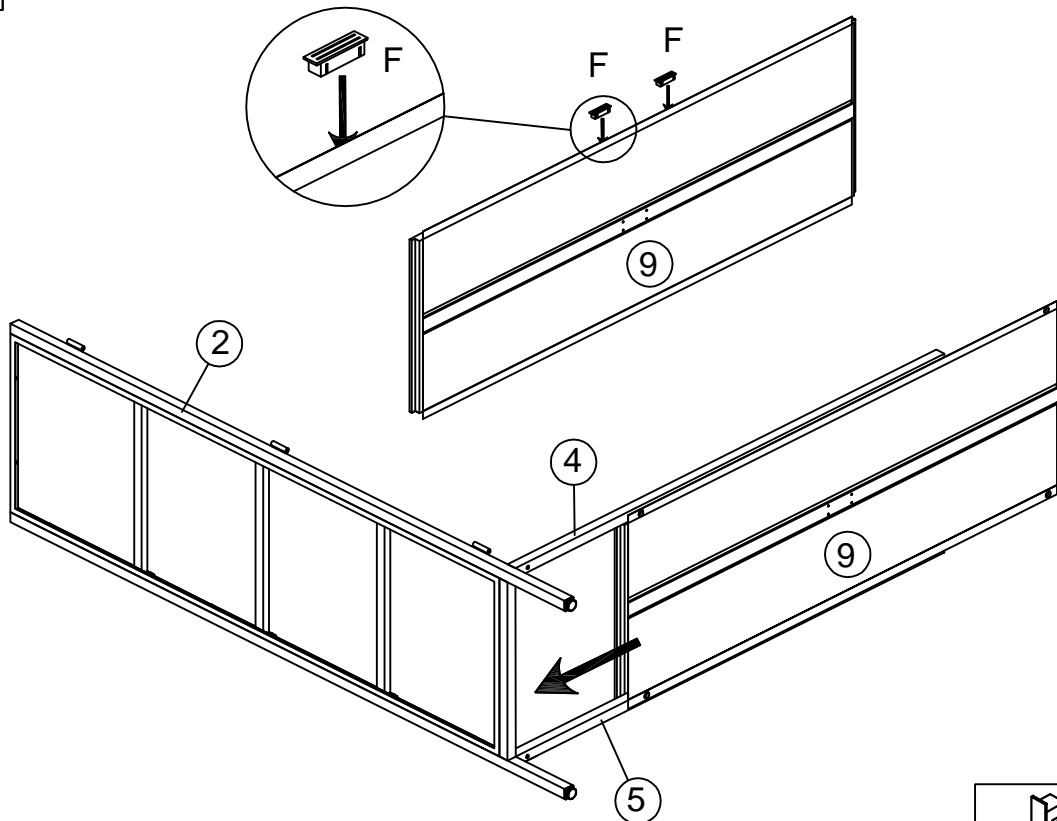
	A x 13	M6x12mm		B x 26	M4.8x13mm
	C x 6			D x 2	
	E x 3	M6		F x 4	
	G x 2	φ 8			

1



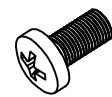
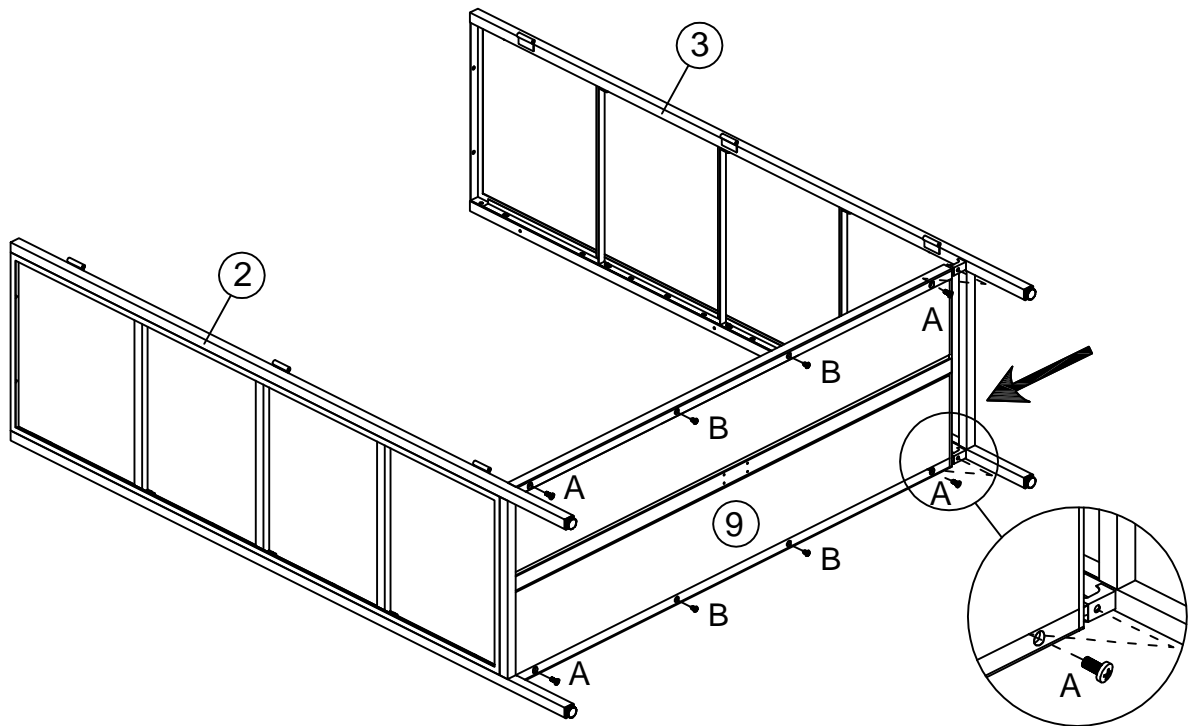
Gx2

2

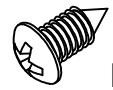


Fx2

3

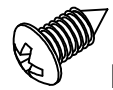
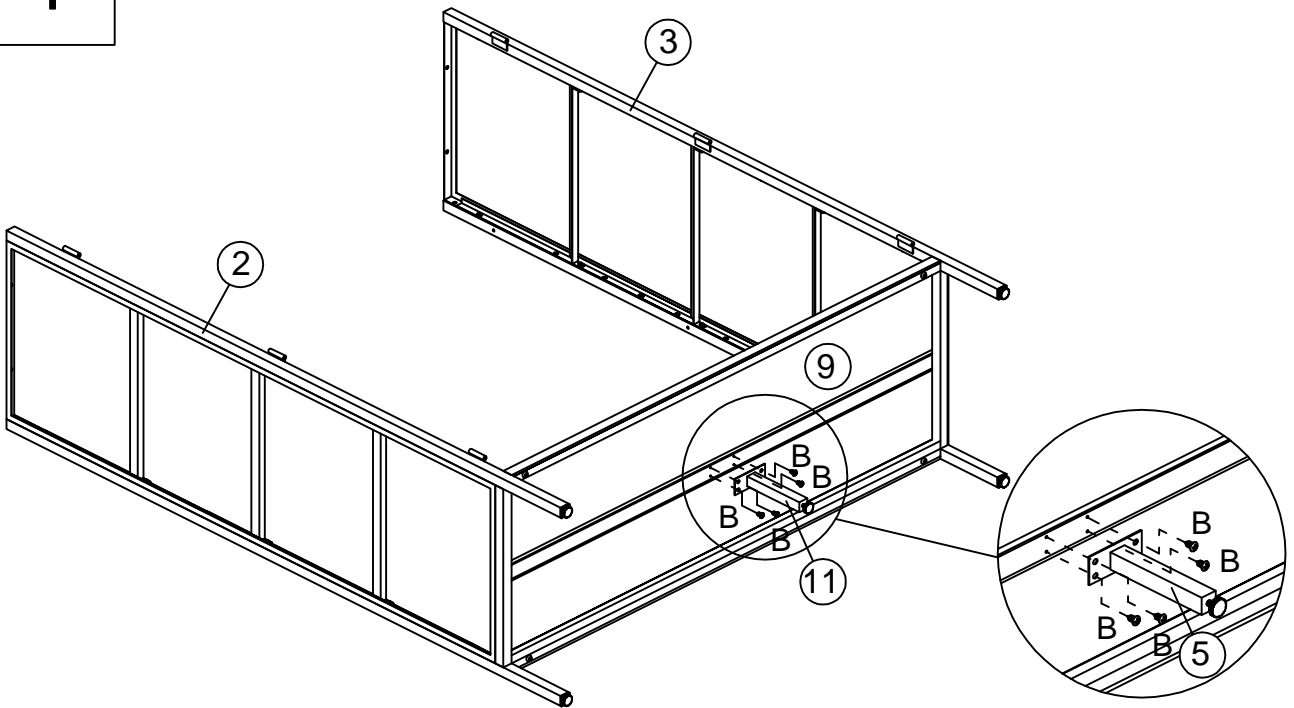


Ax4



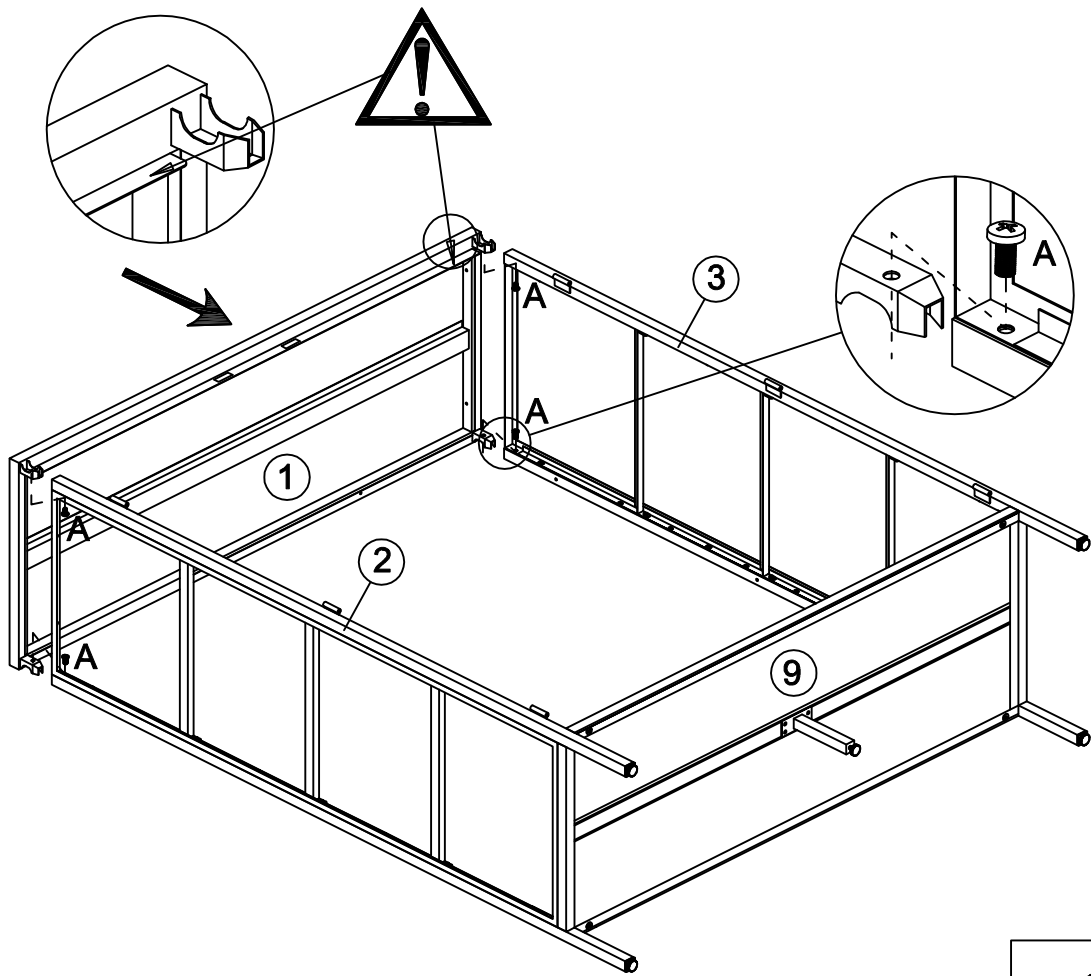
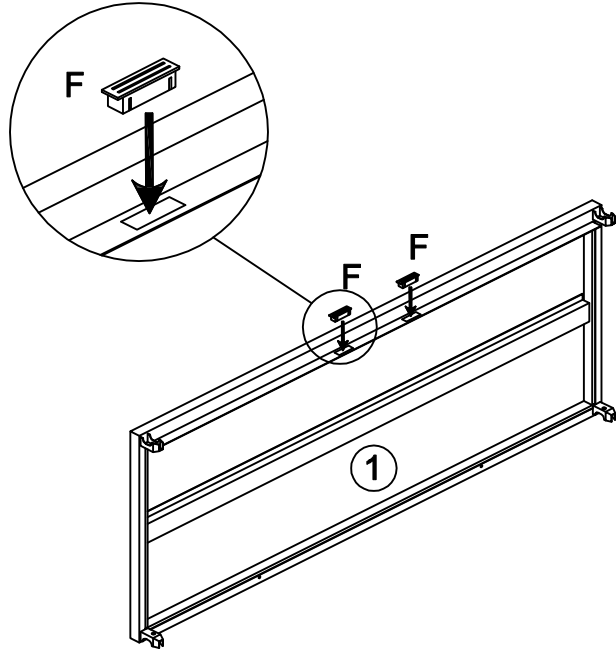
Bx4

4



Bx4

5

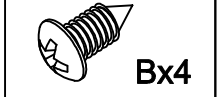
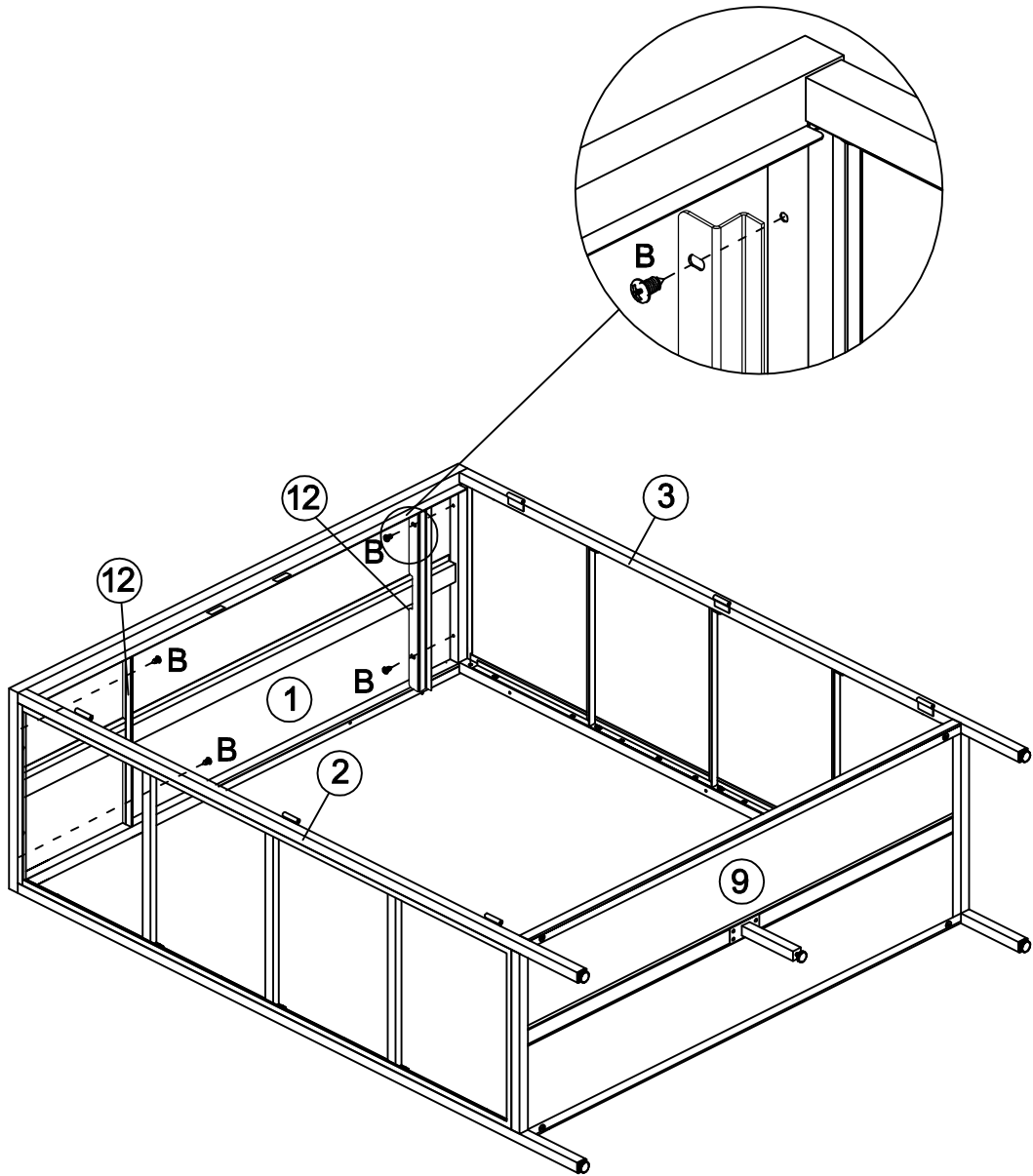


Ax4

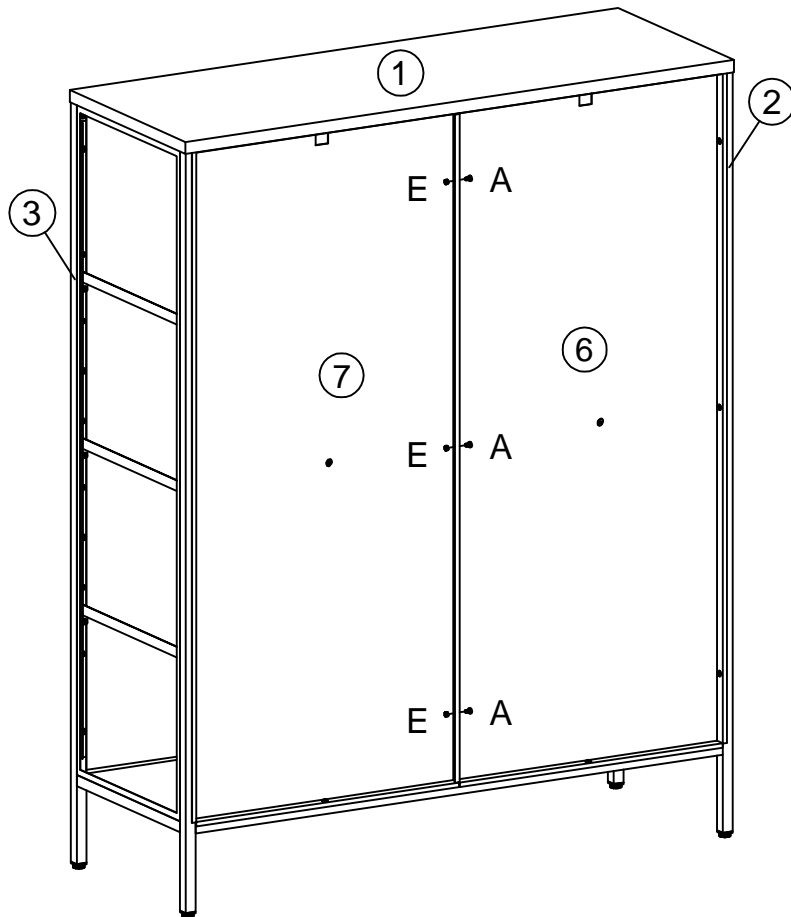
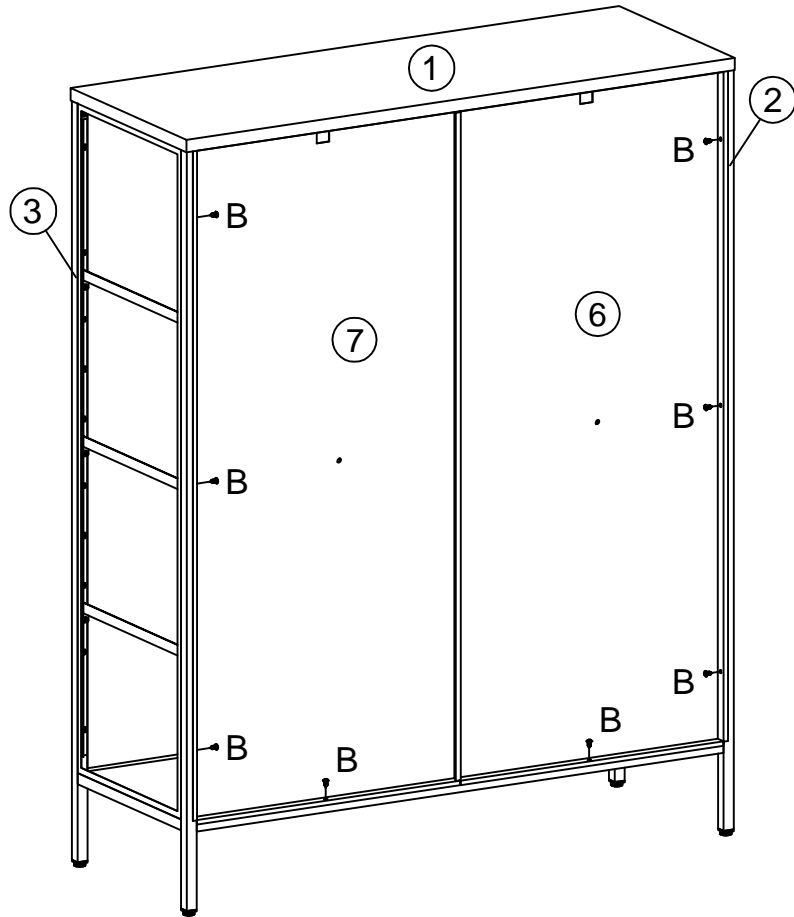


Fx2

6



7



Ax3

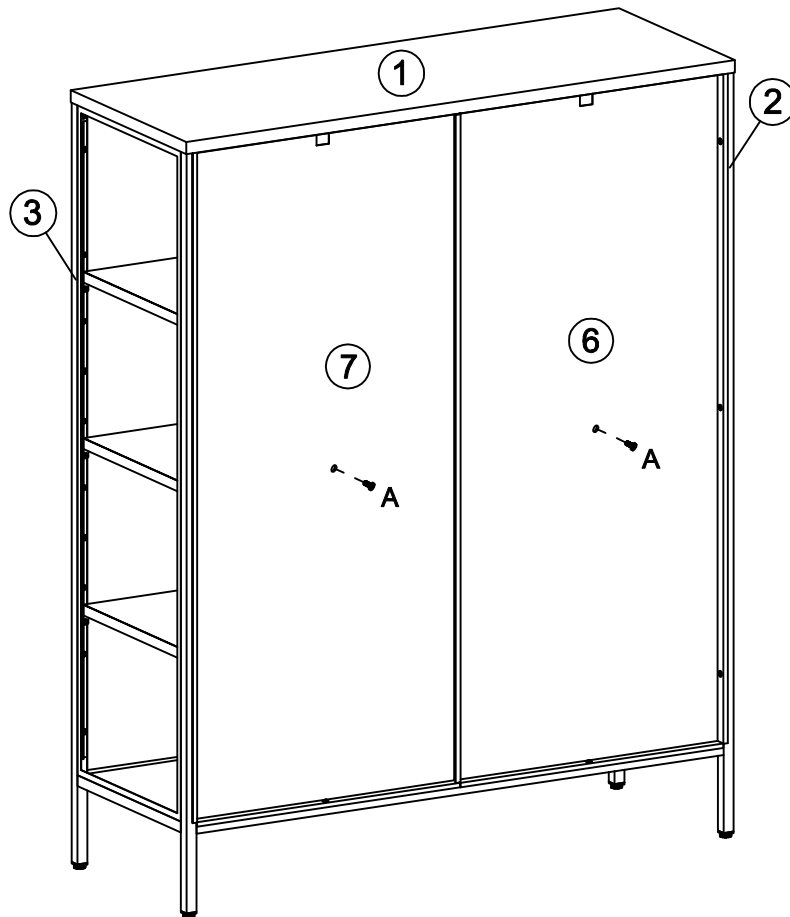
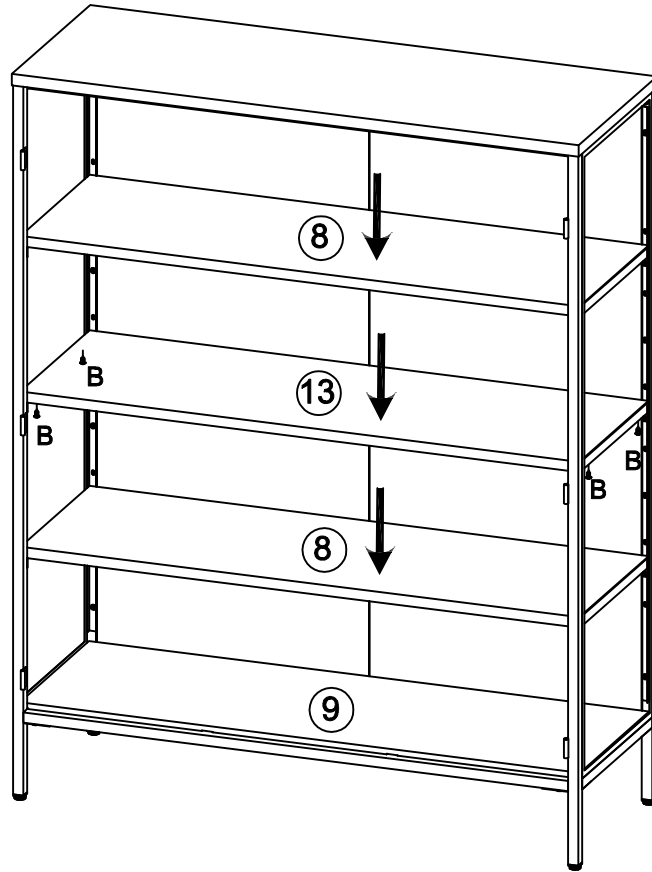


Bx8



Ex3

8

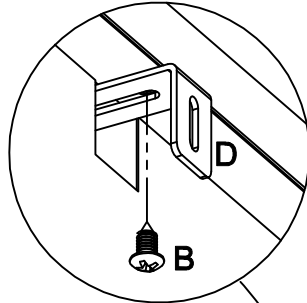
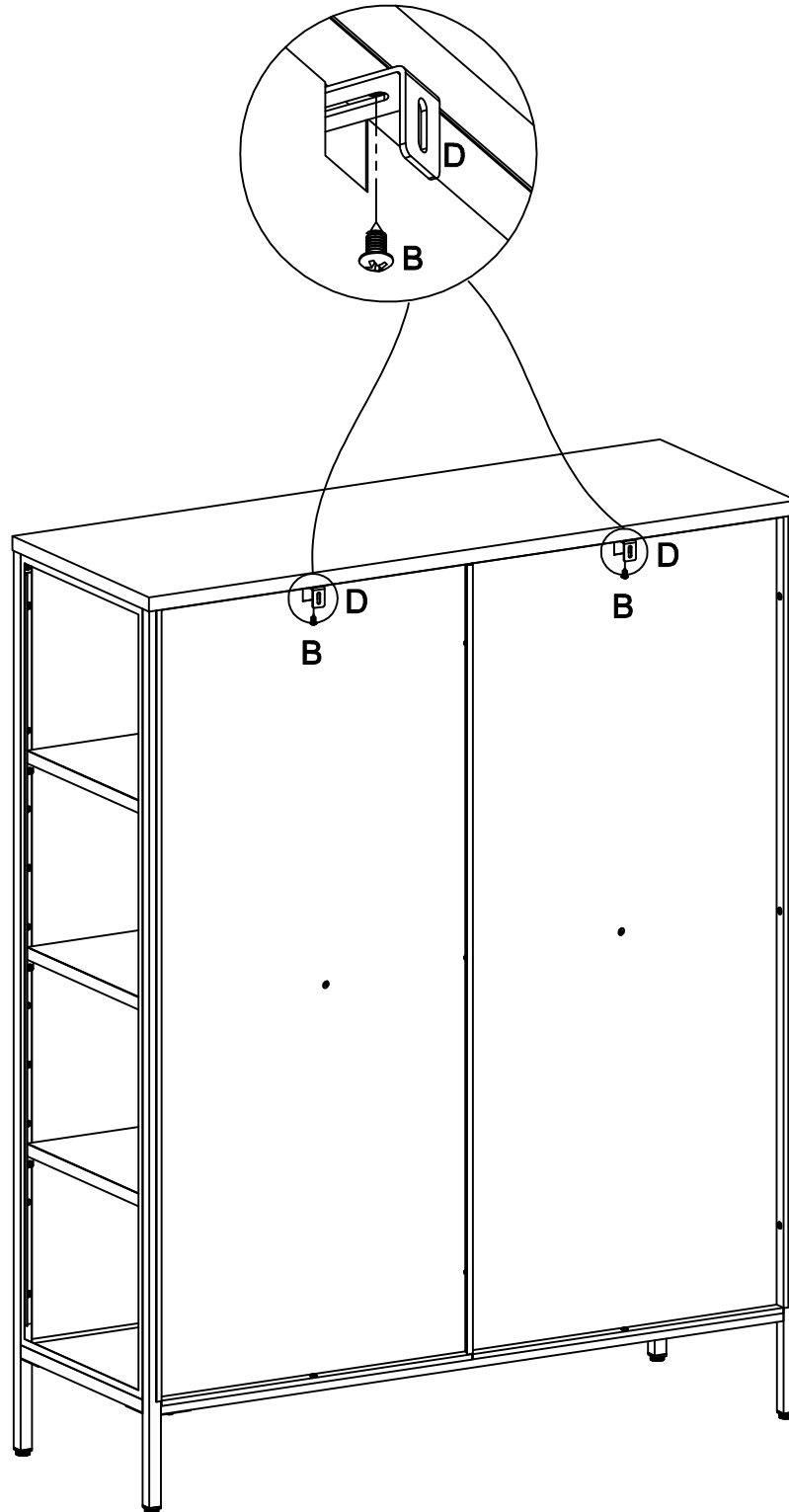


Ax2



Bx4

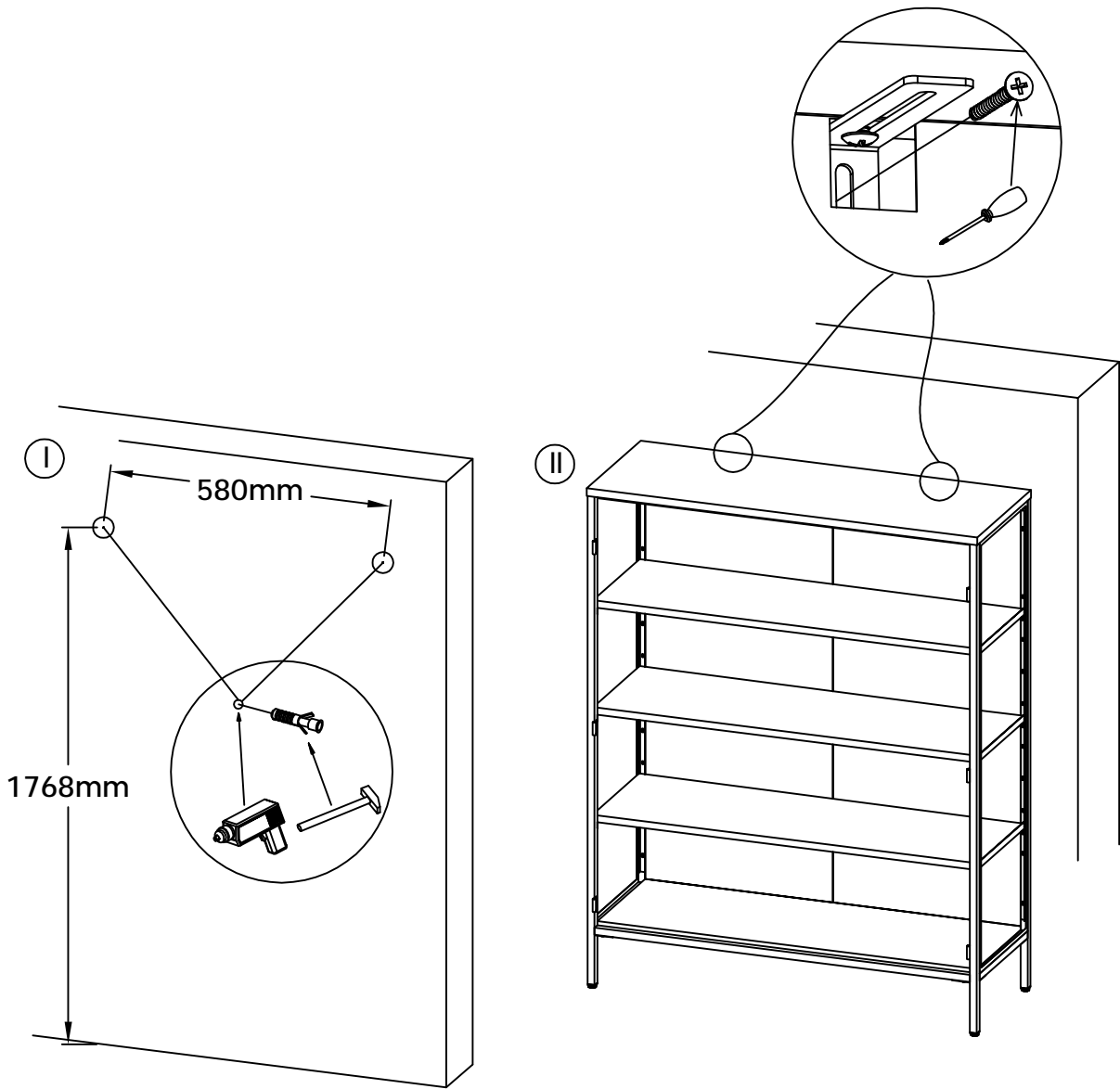
9



Bx2



Dx2

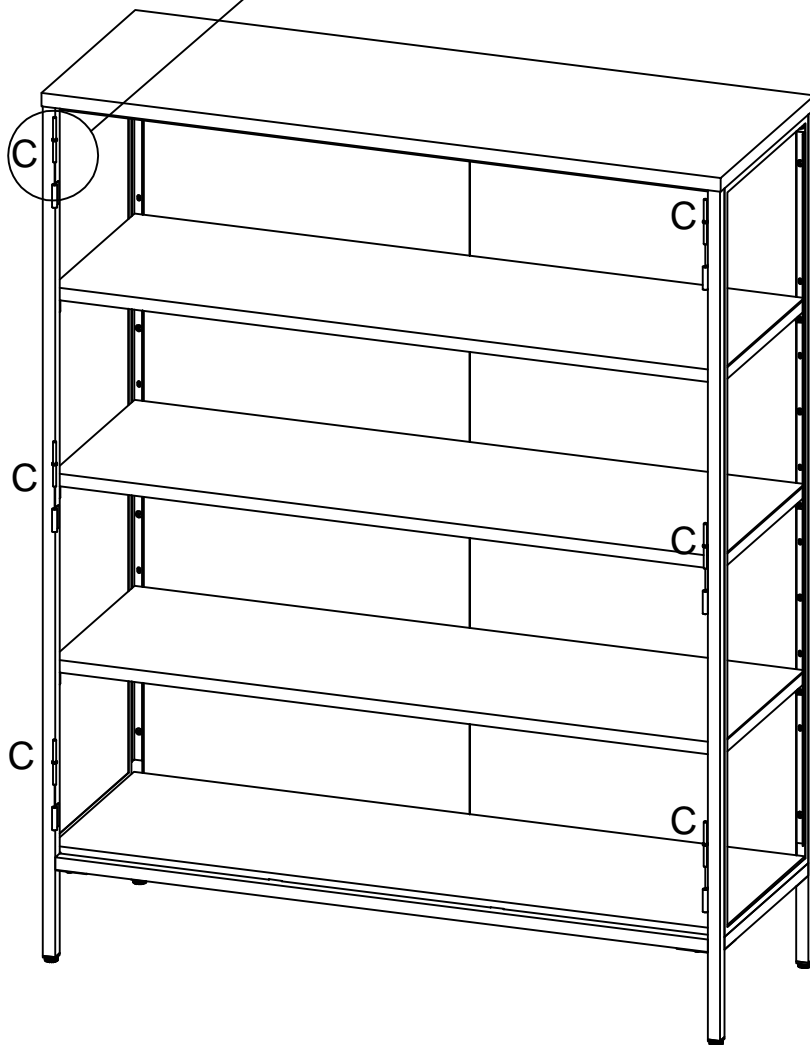
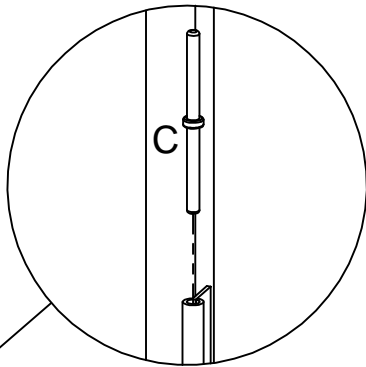


Due to the wide diversity of wall or partition types, we cannot provide you with suitable attachment fixtures. To determine which attachment fixtures to use, you will need to identify the type of wall to which you will be fixing this product. Here are some examples of attachment fixtures recommended for :

BLIND WALLS		STUDDED WALLS		
"FISCHER" Nylon plug 	Metal Wall plug 	Nylon winged Wall plug 	Metal expansion plug 	"MOLLY" plug

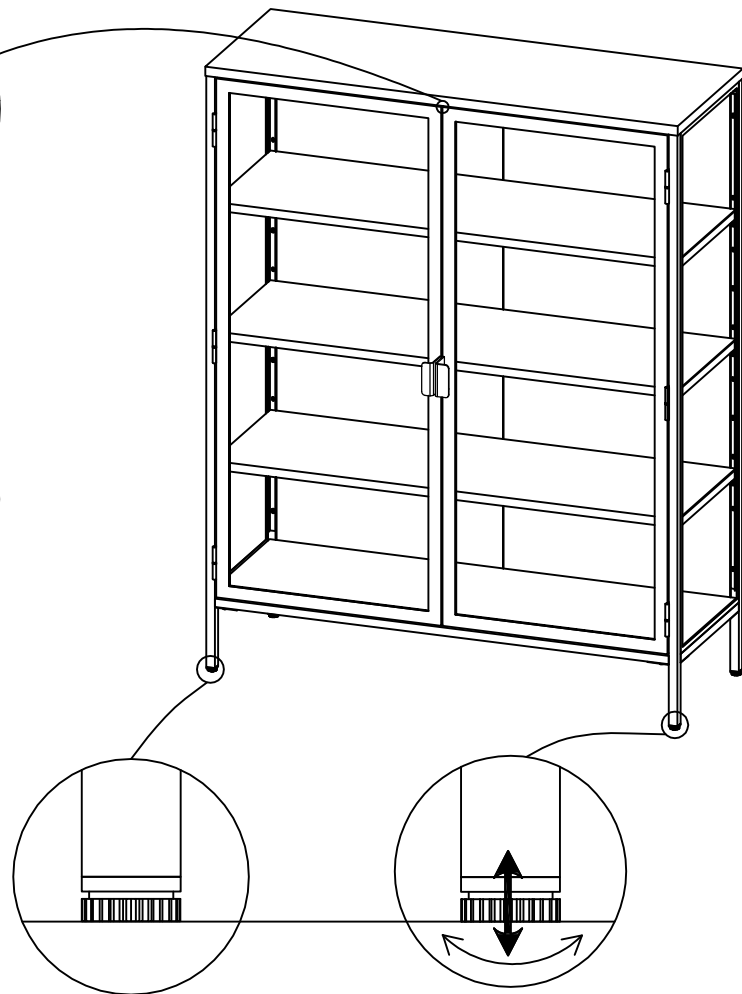
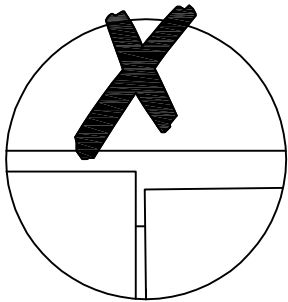
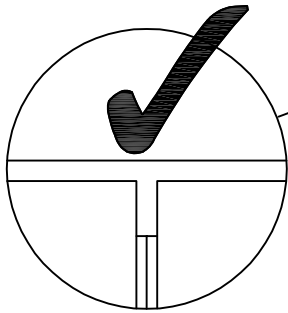
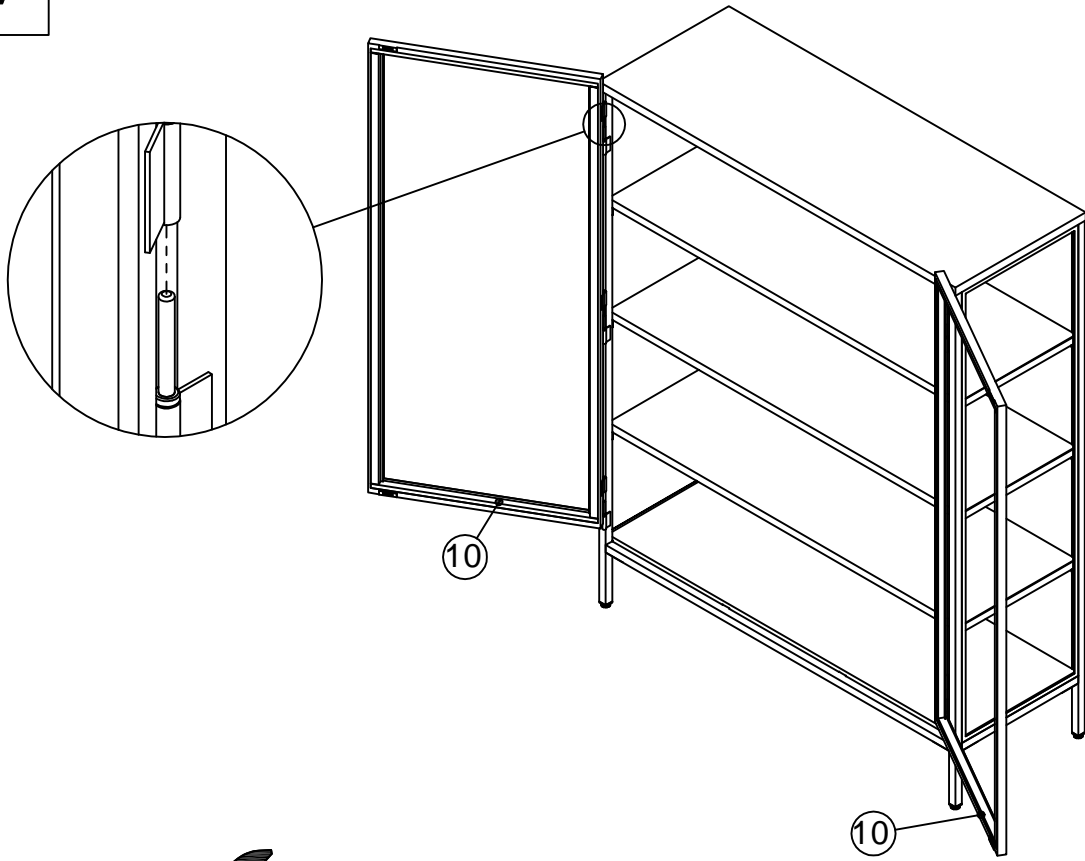
Use a drill bit that is compatible in size with the hardware used and the type of wall

11

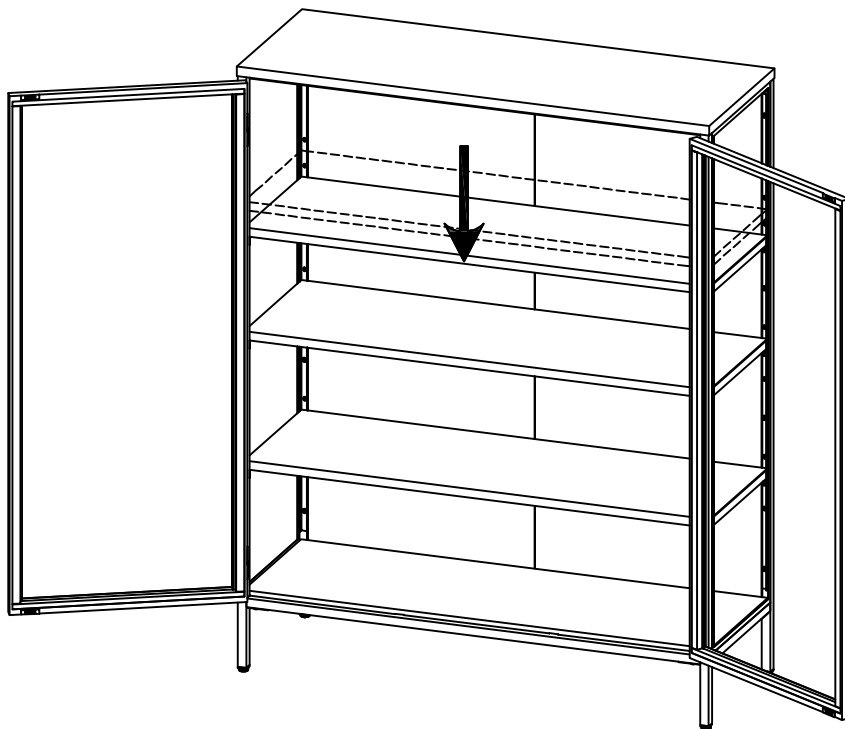
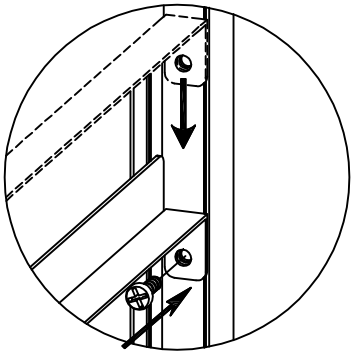
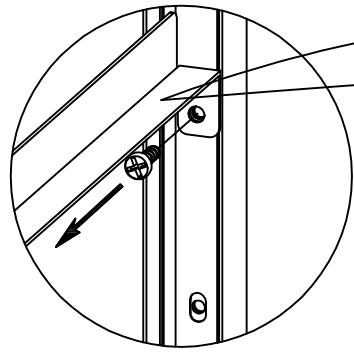
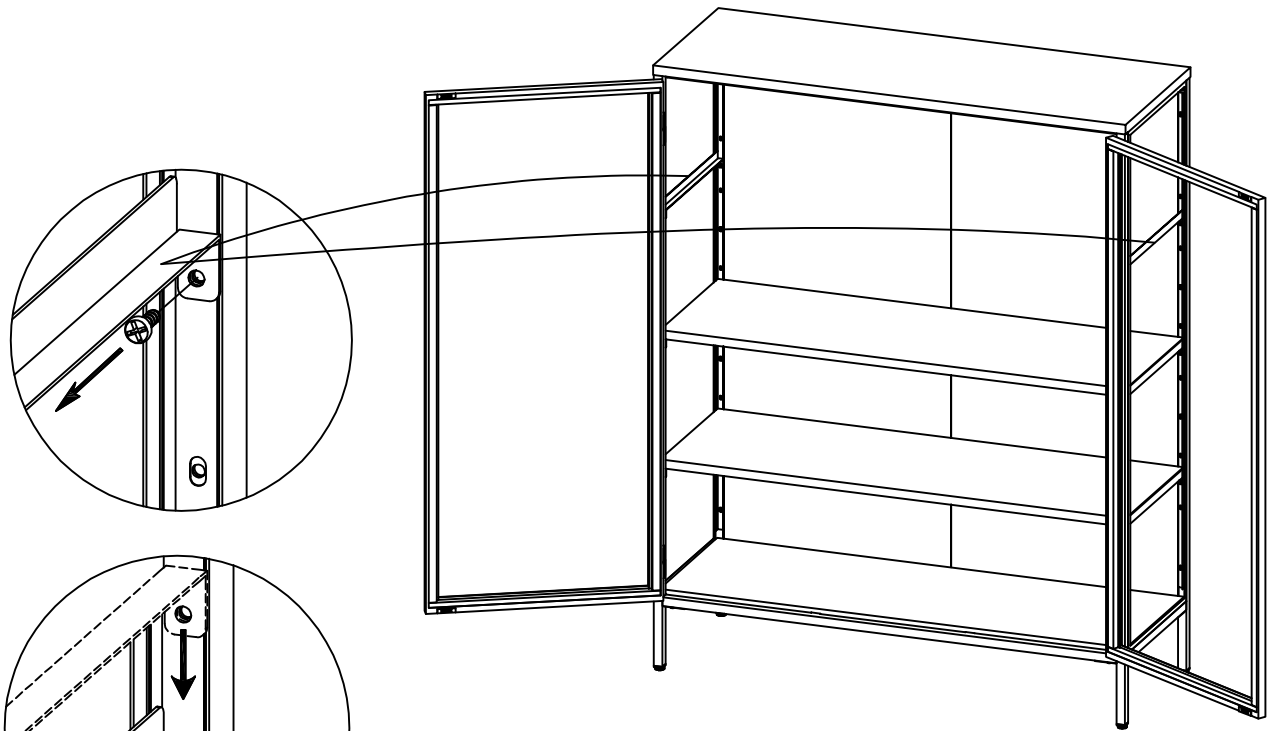


Cx6

12



13



14

