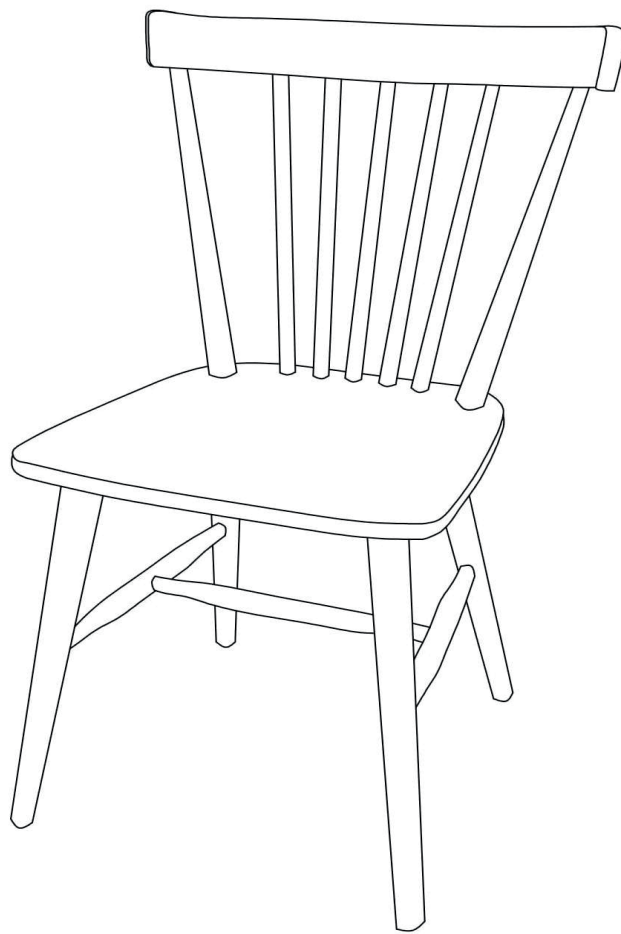


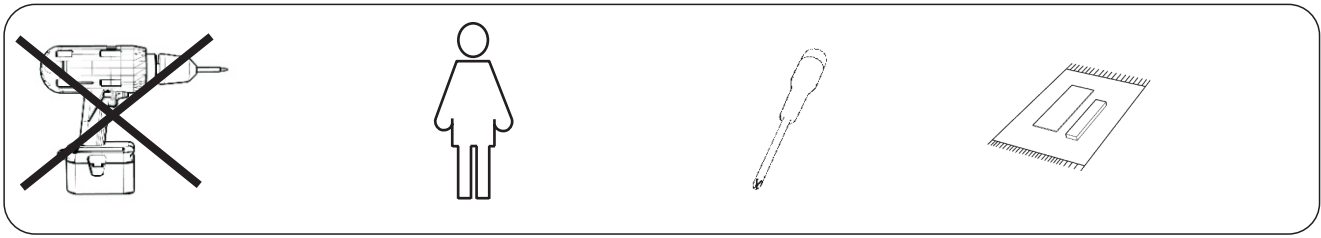
ASSEMBLY INSTRUCTION

AKITA CHAIR



ROWICO

H O M E




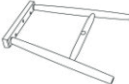

Attention!

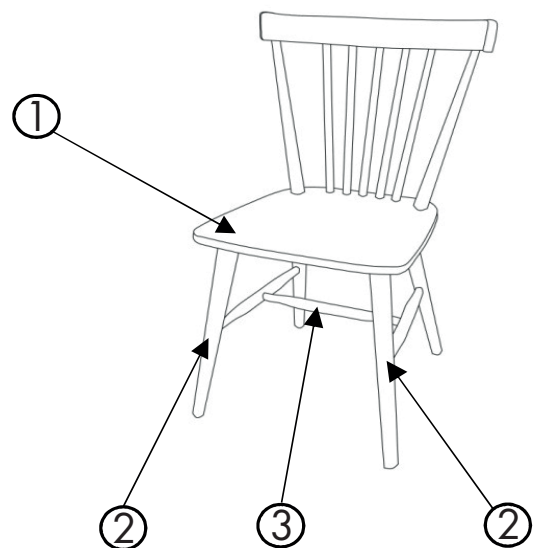
- Följ monteringsanvisningen noga, steg för steg.
Follow assembly instruction carefully, step by step.
- För att öka ytan hållighet bör man applicera möbelvax innan produkten tas i bruk. Därefter regelbundet efter behov.
To increase durability of top surface, a layer of furniture wax should be applied before use. Then regularly or if necessary.
- Utsätt aldrig möbelen för vätskor eller varma föremål. All vätska skall omedelbart torkas bort med en mjuk och torr trasa.
Do not expose your furniture to any liquids or hot items. All liquids should be wiped up immediately with a soft and dry cloth.
- Putta eller dra aldrig möbelen vid förflyttning, lyft alltid.
When moving the furniture, always lift, never drag or push.

List of hardware

Code	Description	Dimension	Qty
A		M4X32mm	2
B		Allen key	1
C		M7X35mm	6
D		Wood button	2

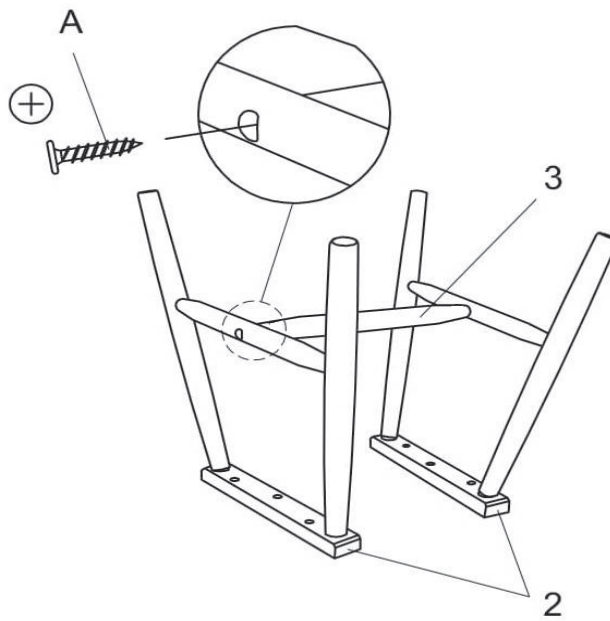
List of parts

Code	Description	Qty
1		1
2		2
3		1



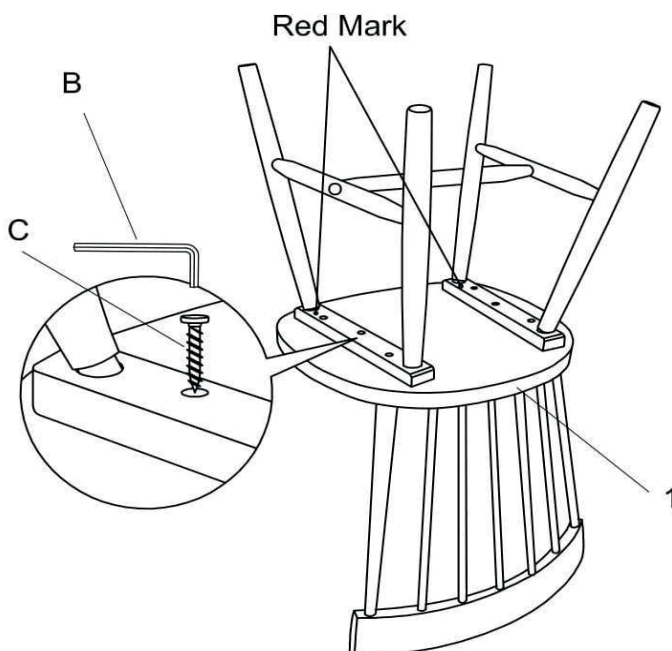
Step 1

- Assemble crossbar (3) using JCBC screw M4X32 (A)
- Do not tighten fully yet.



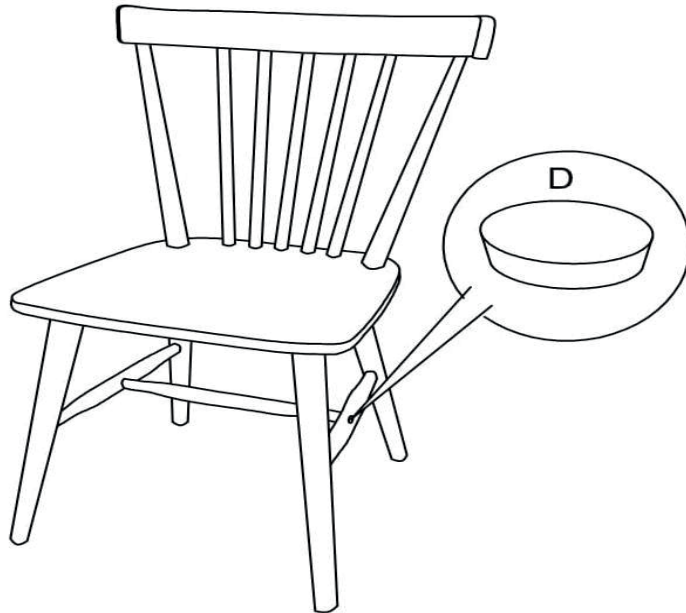
Step 2

- Position the frame assembly into the bottom of chair seat.
Align and tighten bolt chair seat and frame using JCBC Screw M7X35mm (C) with Allen key (B)



Step 3

- Please tighten all the JCBC Screw then insert the Wood button (D) to the bottom crossbar to cover the hole.



Step 4

